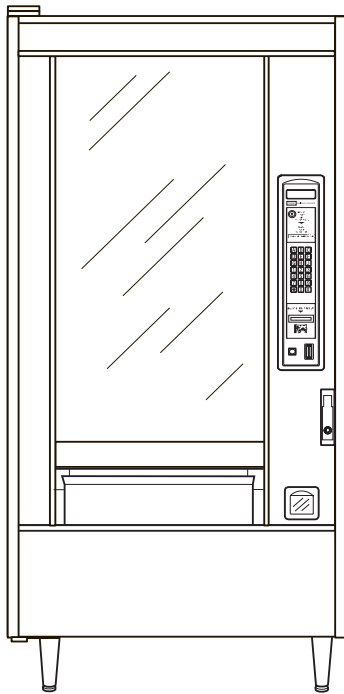


1670058

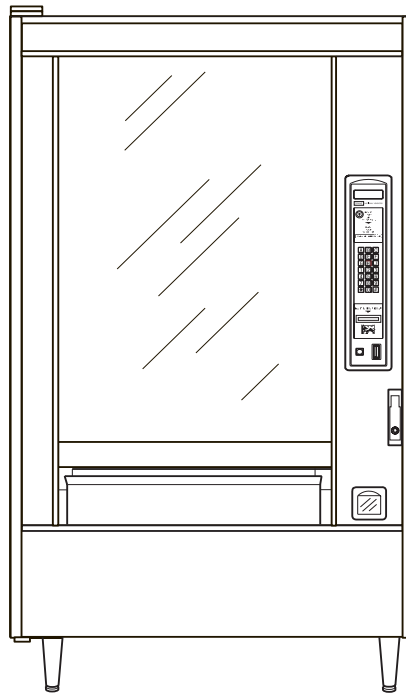
Models 167, 168, 457, 458, 764, 765, 784, 787



Snack Center 1, 2, 3, 4 and Refreshment Center 2



168, 457, 765



167, 458, 764



784, 787

PARTS MANUAL



The Right Part, Right Now

CRANE

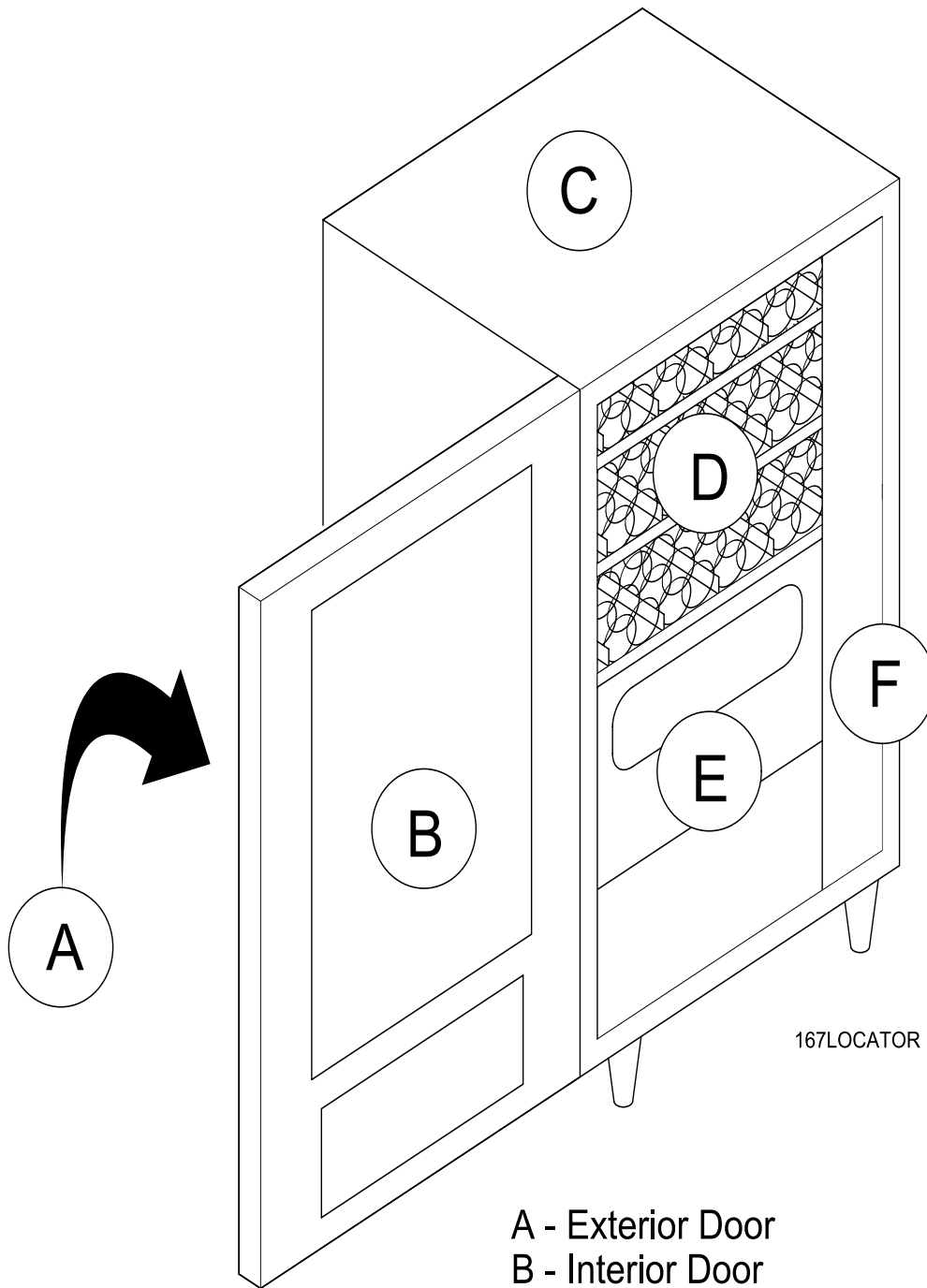
MERCHANDISING SYSTEMS™ A Crane Co. Company

CMS PARTS & SUPPORT

12955 Enterprise Way
Bridgeton, Missouri 63044-1200
(314) 298-3500 / (800) 621-7278

www.CraneMS.com

1670058



- A - Exterior Door
- B - Interior Door
- C - Cabinet
- D - Trays
- E - Chilled Can Module
- F - Monetary

Crane Merchandising Systems Parts and Support:
Parts: 1-800-621-7278 Service: 1-800-628-8363

List of Figures

Figure:..... Page:

Section A: Exterior of Door	1
FIGURE 1: Common Trim and Panel Components	2
FIGURE 2: Door Assembly (Imperial Crown and Signature Styling).....	8
FIGURE 3: Door Lock & Handle Assembly (Imperial Crown & Signature Styles).....	10
FIGURE 4: Common Trim and Panel Components - Millennia Styling (Part 1 of 2)	12
FIGURE 5: Common Trim and Panel Components - Millennia Styling (Part 2 of 2)	14
FIGURE 6: Horizontal Trim and Glass Channel Assembly (Millennia Styling).....	16
FIGURE 7: Door Glass and Glass Retaining Components (Millennia Styling).....	18
Section B: Interior of Door	20
FIGURE 8: Door Assembly (Millennia Styling).....	20
FIGURE 9: Door Lock and Handle Assembly (Millennia Style).....	22
FIGURE 10: Light Assembly - Upper Door	24
FIGURE 11: Coin Receptacle Assembly.....	26
FIGURE 12: Delivery Pan Assembly.....	28
FIGURE 13: Delivery Pan Side Plates	30
FIGURE 14: Gum and Mint Assembly (Part 1 of 3).....	32
FIGURE 15: Gum and Mint Assembly (Part 2 of 3).....	34
FIGURE 16: Gum and Mint Assembly (Part 3 of 3).....	36
FIGURE 17: Surevend Emitter and Receiver.....	38
FIGURE 18: Wiring - Hinge Side of Delivery Pan	40
FIGURE 19: Deflectors and Decal	42
Section C: Cabinet	44
FIGURE 20: Cabinet Loose Parts	44
FIGURE 22: Common Cabinet.....	48
FIGURE 23: Leg Leveler and Leg and Hinge Assemblies	52
FIGURE 24: Millennia Base Plate Assembly (Standard Shown).....	54
FIGURE 25: Cabinet Details 28" Deep Machine	56
FIGURE 26: Power Panel Assembly - Domestic (120V).....	58
FIGURE 27: Power Panel Assembly - Models 167 168 457 458 - U.K. - 230 V	60
FIGURE 28: Power Panel Assembly - 230 V - France / Germany	62
FIGURE 29: Power Panel Assembly - 100V-50/60Hz (Japan)	64
Section D: Trays	66
FIGURE 30: Snack Tray Assembly 28" Deep Machine.....	66
FIGURE 31: Snack Tray Assembly 35" Deep Machine.....	68
FIGURE 32: Snack Tray Assembly - Rear	70
FIGURE 33: Candy Tray Assembly 28" Deep machine	72
FIGURE 34: Candy Tray Assembly 35" Deep Machine	74
FIGURE 35: Candy Tray Assembly - Rear.....	76
FIGURE 36: Gum and Mint Tray Assembly - 4 Motor.....	78
FIGURE 37: Gum and Mint Tray Assembly - 5 Motor.....	80
FIGURE 38: Gum and Mint Tray Assembly - Rear	82
FIGURE 39: Cigarette Tray Assembly 35" Deep Machine	84
FIGURE 40: Cigarette Tray Assembly 35" Deep Machine - Rear	86

List of Figures

Figure:Page:

Section E: Chilled Can Module 90

FIGURE 42: Chilled Can Module.....90

FIGURE 43: Can Unit Frame Assembly92

FIGURE 44: Can Unit Frame Assembly - Australia94

FIGURE 45: Can Compartment Assembly96

FIGURE 46: Can Compartment Assembly (Australia).....98

Section F: Monetary 100

FIGURE 47: Monetary Panel Assembly (Part 1 of 4)100

FIGURE 48: Monetary Panel Assembly (Part 2 of 4)102

FIGURE 49: Monetary Panel Assembly (Part 3 of 4)104

FIGURE 50: Monetary Panel Assembly (Part 4 of 4) - Millennia Styling106

FIGURE 51: Card Reader and Bill Validator Combinations.....108

FIGURE 52: Wiring Diagram - 115V Snack Module119

FIGURE 53: Wiring Diagram - 115V Coffee Module120

FIGURE 54: Wiring Diagram - 115V Can/Chilled121

FIGURE 55: Wiring Diagram - 230V Snack Module122

FIGURE 56: Wiring Diagram - 230V Coffee Module123

FIGURE 57: Wiring Diagram - 230V Can/Chilled Module124

List of Tables

Table:..... Page:

Section A: Exterior of Door	1
TABLE 1: Common Trim and Panel Components	3
TABLE 2: Door Assembly (Imperial Crown and Signature Styling).....	9
TABLE 3: Door Lock & Handle Assembly (Imperial Crown & Signature Styles).....	11
TABLE 4: Common Trim and Panel Components - Millennia Styling (Part 1 of 2)	13
TABLE 5: Common Trim and Panel Components - Millennia Styling (Part 2 of 2)	15
TABLE 6: Horizontal Trim and Glass Channel Assembly (Millennia Styling).....	17
TABLE 7: Door Glass and Glass Retaining Components (Millennia Styling).....	19
Section B: Interior of Door	20
TABLE 8: Door Assembly (Millennia Styling)	21
TABLE 9: Door Lock and Handle Assembly (Millennia Style).....	23
TABLE 10: Light Assembly - Upper Door.....	25
TABLE 11: Coin Receptacle Assembly.....	27
TABLE 12: Delivery Pan Assembly.....	29
TABLE 13: Delivery Pan Side Plates	31
TABLE 14: Gum and Mint Assembly (Part 1 of 3).....	33
TABLE 15: Gum and Mint Assembly (Part 2 of 3).....	35
TABLE 16: Gum and Mint Assembly (Part 3 of 3).....	37
TABLE 18: Wiring - Hinge Side of Delivery Pan	41
TABLE 19: Deflectors and Decal	43
Section C: Cabinet	44
TABLE 20: Cabinet Loose Parts	45
TABLE 21: Cabinet Insulation for Chilled Snack or Chilled RC-2	47
TABLE 22: Common Cabinet.....	49
TABLE 23: Leg Leveler and Leg and Hinge Assemblies	53
TABLE 24: Millennia Base Plate Assembly (Standard Shown).....	55
TABLE 25: Cabinet Details 28" Deep Machine	57
TABLE 26: Power Panel Assembly - Domestic (120V).....	59
TABLE 27: Power Panel Assembly - Models 167 168 457 458 - U.K. - 230 V	61
TABLE 28: Power Panel Assembly - 230 V - France / Germany	63
TABLE 29: Power Panel Assembly - 100V-50/60HZ (Japan)	65
Section D: Trays	66
TABLE 30: Snack Tray Assembly 28" Deep Machine.....	67
TABLE 31: Snack Tray Assembly 35" Deep Machine.....	69
TABLE 33: Candy Tray Assembly 28" Deep Machine	73
TABLE 34: Candy Tray Assembly 35" Deep Machine	75
TABLE 36: Gum and Mint Tray Assembly - 4 Motor	79
TABLE 37: Gum and Mint Tray Assembly - 5 Motor	81
TABLE 39: Cigarette Tray Assembly 35" Deep Machine	85
TABLE 40: Cigarette Tray Assembly 35" Deep Machine - Rear	87

List of Tables

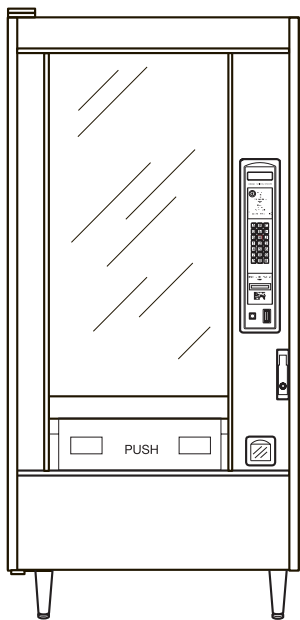
Table:..... Page:

Section E: Chilled Can Module 90

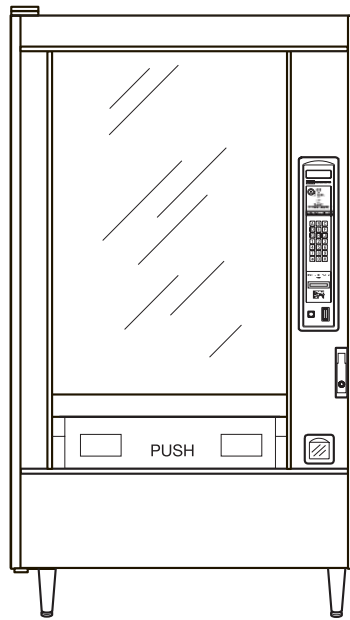
TABLE 42:	Chilled Can Module	91
TABLE 43:	Can Unit Frame Assembly.....	93
TABLE 44:	Can Unit Frame Assembly - Australia.....	95
TABLE 45:	Can Compartment Assembly.....	97
TABLE 46:	Can Compartment Assembly (Australia)	99

Section F: Monetary 100

TABLE 47:	Monetary Panel Assembly (Part 1 of 4)	101
TABLE 48:	Monetary Panel Assembly (Part 2 of 4)	103
TABLE 49:	Monetary Panel Assembly (Part 3 of 4)	105
TABLE 50:	Monetary Panel Assembly (Part 4 of 4) - Millennia Styling	107
TABLE 51:	Card Reader and Bill Validator Combinations	109
TABLE 53:	Wire Harnesses	115



168
458
765



167
457
764



784
787
157p0291

Model Identification

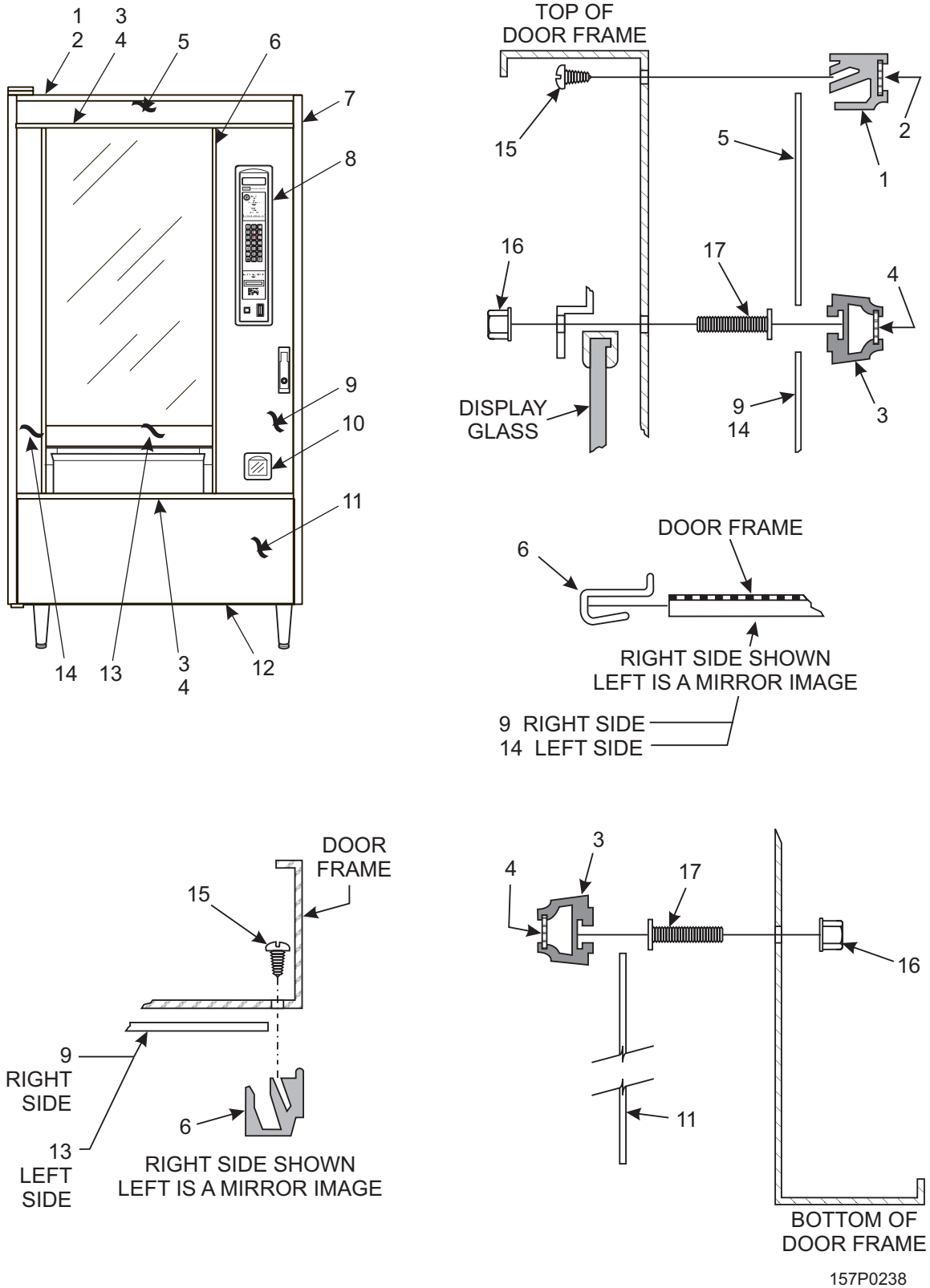


FIGURE 1: COMMON TRIM AND PANEL COMPONENTS

TABLE 1: COMMON TRIM AND PANEL COMPONENTS

INDEX	PART NUMBER	DESCRIPTION	QTY
1	1302484	TRIM - DOOR - TOP & BOTTOM - CLEAR (IMPERIAL CROWN) (167 457 764)	1
	1452229	TRIM - DOOR - TOP & BOTTOM - BLACK (SIGNATURE) (167 458 764)	
2	1302479	TRIM INSERT - BLACK (167 457 458 764)	1
	1482111	TRIM INSERT - BLACK (168 458 764 784 787)	1
3	1302478	TRIM - DOOR - HORIZONTAL - CLEAR (167 457 764)	1
	1482112	TRIM - DOOR - HORIZONTAL - CLEAR (168 458 765 784 787)	
	1602030	TRIM - DOOR - HORIZONTAL - CLEAR (458)	
	1602016	TRIM - DOOR - HORIZONTAL - BLACK (458)	
4	1302479	TRIM INSERT - BLACK (167 457 764)	1
	1482111	TRIM INSERT - BLACK (168 458 764 784 787)	
5	--	PANEL - TOP TRIM (167 457 764) (SEE TABLE 1A FOR DETAILS)	1
		PANEL - TOP TRIM (168 458 764 765 & 787) (SEE TABLE 1B FOR DETAILS)	
6	1472190	TRIM - VERTICAL	2
7	1302409	TRIM - DOOR SIDE - CLEAR (167 168 457 458 764 765 784 787)	2
	1592032	TRIM - DOOR - SIDE - CLEAR (458)	
	1452203	TRIM - DOOR SIDE - BLACK (167 168 457 458 764 765 784 787)	
8	1575106	CASTING - MONETARY FRAME - BLACK	1
9	--	TRIM PANEL - RIGHT HAND (SEE TABLE 1C FOR DETAILS)	1
10	1572011	TRIM - COIN CUP - BLACK	1
11	--	TRIM PANEL - BOTTOM (MODELS 167 457 764) (SEE TABLE 1D FOR DETAILS)	1
		TRIM PANEL - BOTTOM (MODELS 168 458 764 765 & 787) (SEE TABLE 1E FOR DETAILS)	
12	6232099	EDGE PROTECTOR - BOTTOM (167 457 764)	1
	1482003	EDGE PROTECTOR - BOTTOM (168 458 764 784 787)	
--	1451097	SCREW	5
--	6342038	PLUG (168 458 764 784 787)	1
13	1582090	TRIM PANEL - GLASS - LOWER - 32" - CLEAR (168 458 765 784 787)	1
	1572058	TRIM PANEL - GLASS - LOWER - 38" - CLEAR (167 457 764)	
14	--	TRIM PANEL - LEFT HAND (SEE TABLE 1F FOR DETAILS)	1
15	G1472027	SCREW - SHEET METAL - #6 X .44	23
16	9900081	NUT #8-32 W/LW	14
17	2222110	T-BOLT TRIM - 3/8"	8

**TABLE 1A: TOP TRIM PANEL OPTIONS - MODELS 167 457 764
(IMPERIAL CROWN AND SIGNATURE STYLES)**

PART NUMBER	DESCRIPTION
1452062	PRESIDENTIAL WALNUT
1452116	ENAMELED
1452117	FORMICA SPECIAL
1452183	VINYL SPECIAL
1452225	BLACK HAIRCEL
1572128	NU WHITE
3152447	STERLING
1672002	PEPSI
1672023	BLUE
4302284	DOVE GREY
4302373	BISON BLACK
6232224	SLATE
6232309	BLACK PICA

**TABLE 1B: TOP TRIM PANEL OPTIONS - MODELS 168 458 764 765 & 787
(IMPERIAL CROWN AND SIGNATURE STYLES)**

PART NUMBER	DESCRIPTION
1482106	PRESIDENTIAL WALNUT
1482114	DOVE
1482116	SLATE
1482123	BLACK HAIRCEL
1482147	TEAK
1482178	FORMICA SPECIAL
1482229	STERLING
1482231	ENAMELED
1482245	BLACK PICA
1482248	BISON BLACK
1582006	NUWHITE
1682001	PEPSI
1682040	STAINLESS
4742004	VINYL SPECIAL

**TABLE 1C: RIGHT HAND TRIM PANEL OPTIONS
(IMPERIAL CROWN AND SIGNATURE STYLES)**

PART NUMBER	DESCRIPTION
1572054	DOVE GREY - NO COIN
1572101	STERLING
1572106	BLACK PICA
1572109	BLACK HAIRCEL
1572118	DOVE GREY
1572120	BLACK PICA - NO COIN
1572121	STERLING - NO COIN
1572123	ENAMELED
1572126	FORMICA SPECIAL
1572130	NU WHITE
1572139	MOROCCO GREY
1572141	PEWTER
1572149	PRESIDENTIAL WALNUT
1572152	SLATE
1572155	STAINLESS STEEL
1572157	TEAK
1572171	BISON BLACK
1572195	PORT AU PRINCE
1672004	PEPSI
1672025	BLUE
1672078	BISON BLACK - NO COIN

**TABLE 1D: BOTTOM TRIM PANEL OPTIONS - MODELS 167 457 764
(IMPERIAL CROWN AND SIGNATURE STYLES)**

PART NUMBER	DESCRIPTION
1572102	STERLING
1572104	BISON BLACK
1572107	BLACK PICA
1572110	BLACK HAIRCEL
1572119	DOVE GREY
1572124	ENAMELED
1572127	FORMICAL SPECIAL
1572131	NU WHITE
1572150	PRESIDENTIAL WALNUT
1572153	SLATE
1572161	VINYL SPECIAL
1672005	PEPSI
1672026	BLUE

**TABLE 1E: BOTTOM TRIM PANEL OPTIONS
MODELS 168 458 765 784 787
(IMPERIAL CROWN AND SIGNATURE STYLES)**

PART NUMBER	DESCRIPTION
1482210	TEAK
1482214	BLACK HAIRCEL
1482222	STERLING
1482223	PRESIDENTIAL WALNUT
1482225	DOVE
1482226	SLATE
1482227	FORMICAL SPECIAL
1482232	ENAMELED
1482247	BLACK PICA
1482250	BISON BLACK
1582008	NUWHITE
4742005	VINYL SPECIAL
1682002	PEPSI
1682041	STAINLESS

**TABLE 1F: LEFT HAND TRIM PANEL OPTIONS
(IMPERIAL CROWN AND SIGNATURE STYLES)**

PART NUMBER	DESCRIPTION
1572100	STERLING
1572105	BLACK PICA
1572108	BLACK HAIRCEL
1572117	DOVE GREY
1572122	ENAMELED
1572125	FORMICA SPECIAL
1572129	NU WHITE
1572138	MOROCCO GREY
1572140	PEWTER
1572148	PRESIDENTIAL WALNUT
1572151	SLATE
1572154	STAINLESS STEEL
1572156	TEAK
1572172	BISON BLACK
1572194	PORT AU PRINCE
1672003	PEPSI
1672024	BLUE

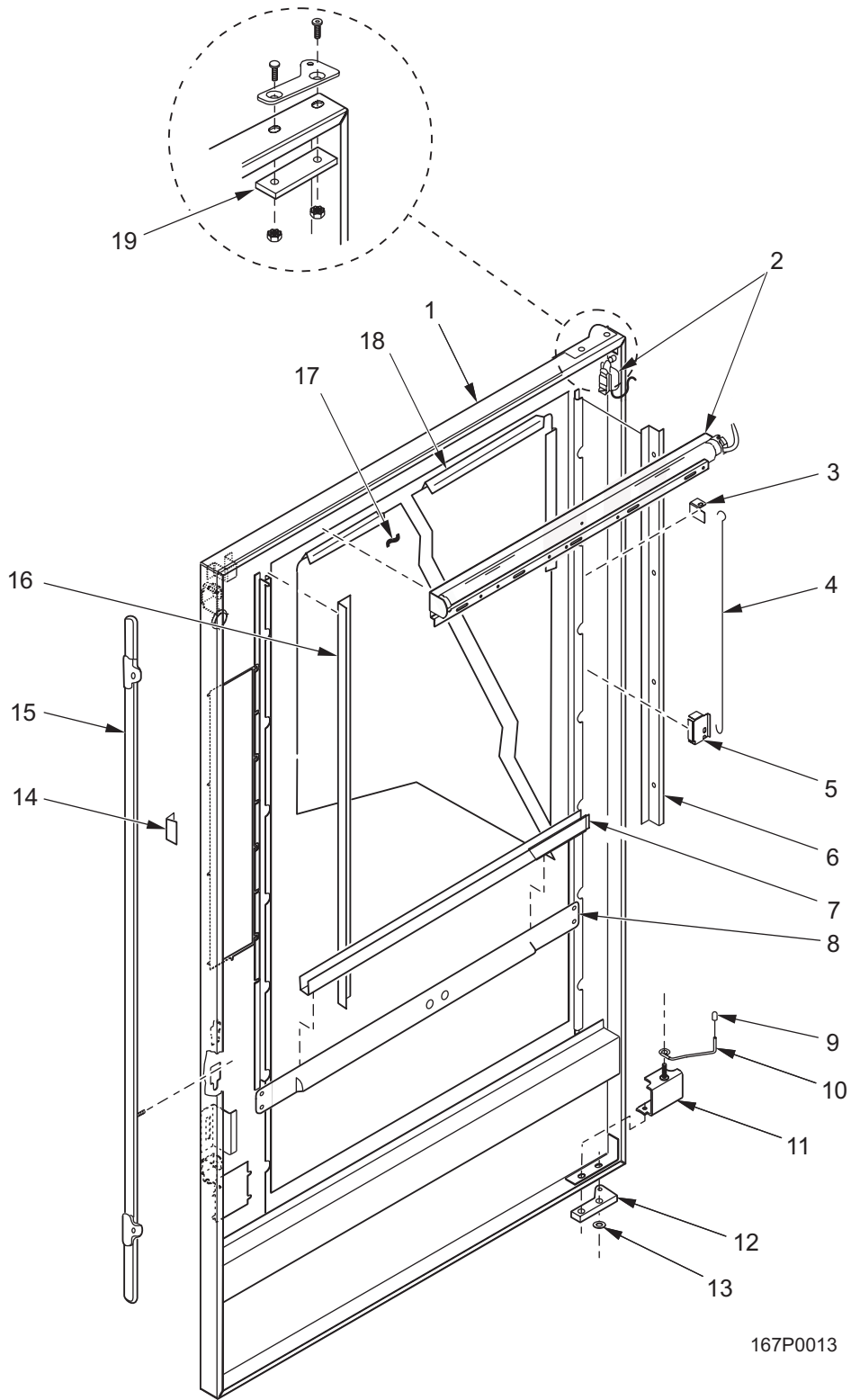


FIGURE 2: DOOR ASSEMBLY (IMPERIAL CROWN AND SIGNATURE STYLING)

TABLE 2: DOOR ASSEMBLY (IMPERIAL CROWN AND SIGNATURE STYLING)

INDEX	PART NUMBER	DESCRIPTION	QTY
1	1572374	DOOR ASSEMBLY - COMMON - STANDARD (167 457 764)	1
	1582139	DOOR ASSEMBLY - COMMON STANDARD (168 458 765 784 787)	
	1602075	DOOR ASSEMBLY - COMMON - NUWHITE (458)	
2	--	UPPER DOOR LIGHT ASSEMBLY 7 BALLAST (SEE TABLE 10 FOR DETAILS)	1
3	1572028	RETAINER - ROD SUPPORT - COMMON	1
4	1479140	ROD - SUPPORT - GUM & MINT	1
5	1572027	SUPPORT - PROP ROD - COMMON	1
6	1572020	RETAINER - GLASS (167168 457 458 764 765 784 787)	1
	4972107	RETAINER - GLASS W/ SIDE LIGHT (784 787) (SEE TABLE 7 FOR DETAILS)	
7	1402120	CHANNEL - GLASS - LOWER (167 457 764)	1
	1582074	CHANNEL - GLASS - LOWER (168 458 765 784 787)	
	1602055	CHANNEL - GLASS - LOWER (458)	
8	1572445	PANEL ASSEMBLY - GLASS - LOWER (167 457 764)	1
	1582229	PANEL ASSEMBLY - GLASS - LOWER (168 458 765 784 787)	
9	1571037	CAP - VINYL - .281 ID X .50 LONG	1
10	1572009	ROD - DOOR CHECK	1
11	1572007	WELD ASSEMBLY - DOOR CHECK	1
12	6232031	HINGE ASSEMBLY - DOOR - LOWER	1
13	4242145	BEARING - THRUST - LOWER HINGE	1
14	1472250	GUIDE - LOCK BAR	1
15	1472178	LOCK BAR ASSEMBLY	1
16	1472048	PLATE - GLASS RETAINING	1
--	1451097	SCREW	7
17	1452059	GLASS - DISPLAY (167 457 764)	1
	1582075	GLASS - DISPLAY (168 458 765 784 787)	
18	1672066	CHANNEL - GLASS - UPPER - 28" (167 457 764)	1
	1682056	CHANNEL - GLASS - UPPER - 21.88" (168 458 765 784 787)	
	1712002	CHANNEL - GLASS - UPPER (458)	
19	6232028	PLATE ASSEMBLY - HINGE MOUNTING	1

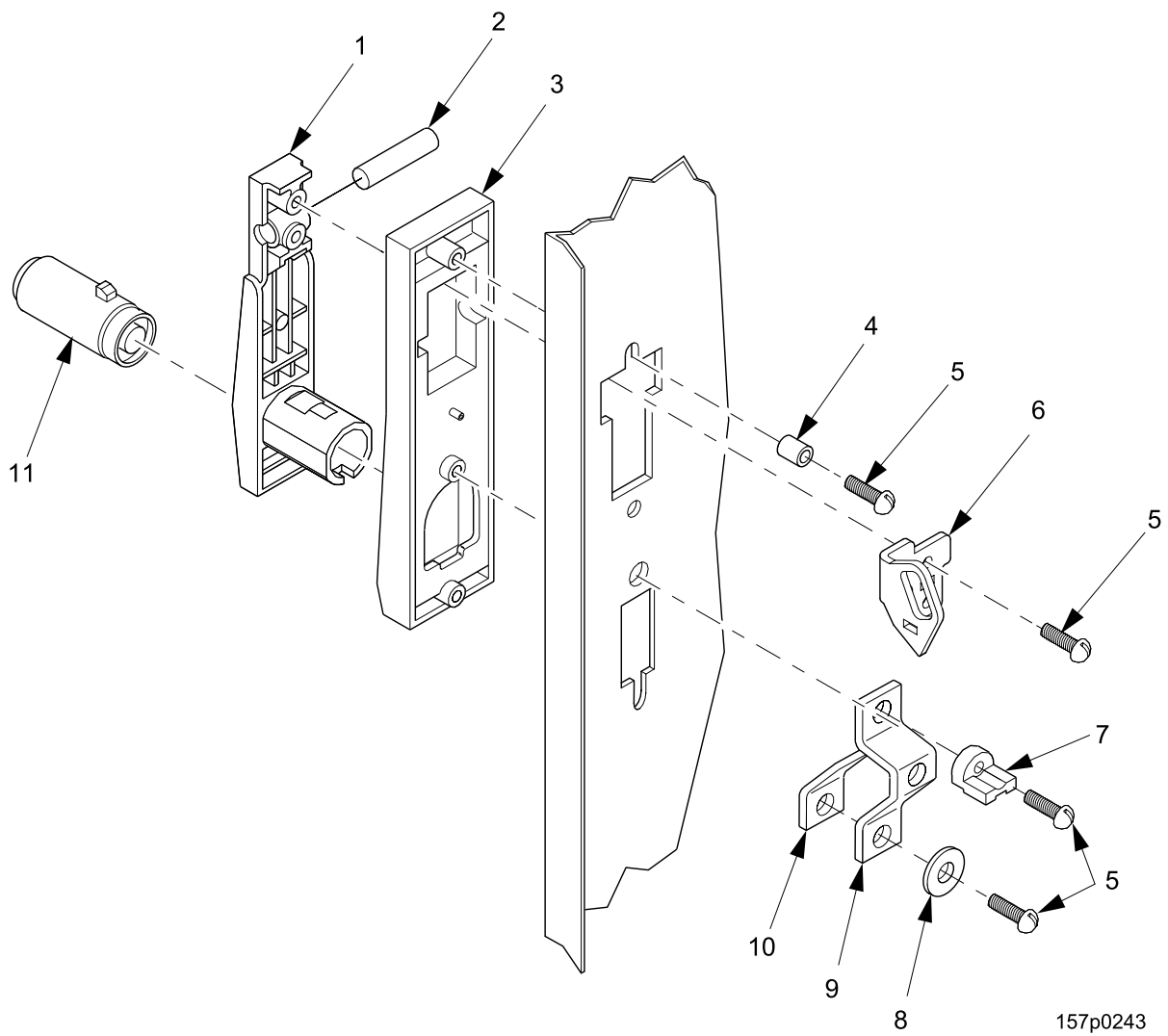
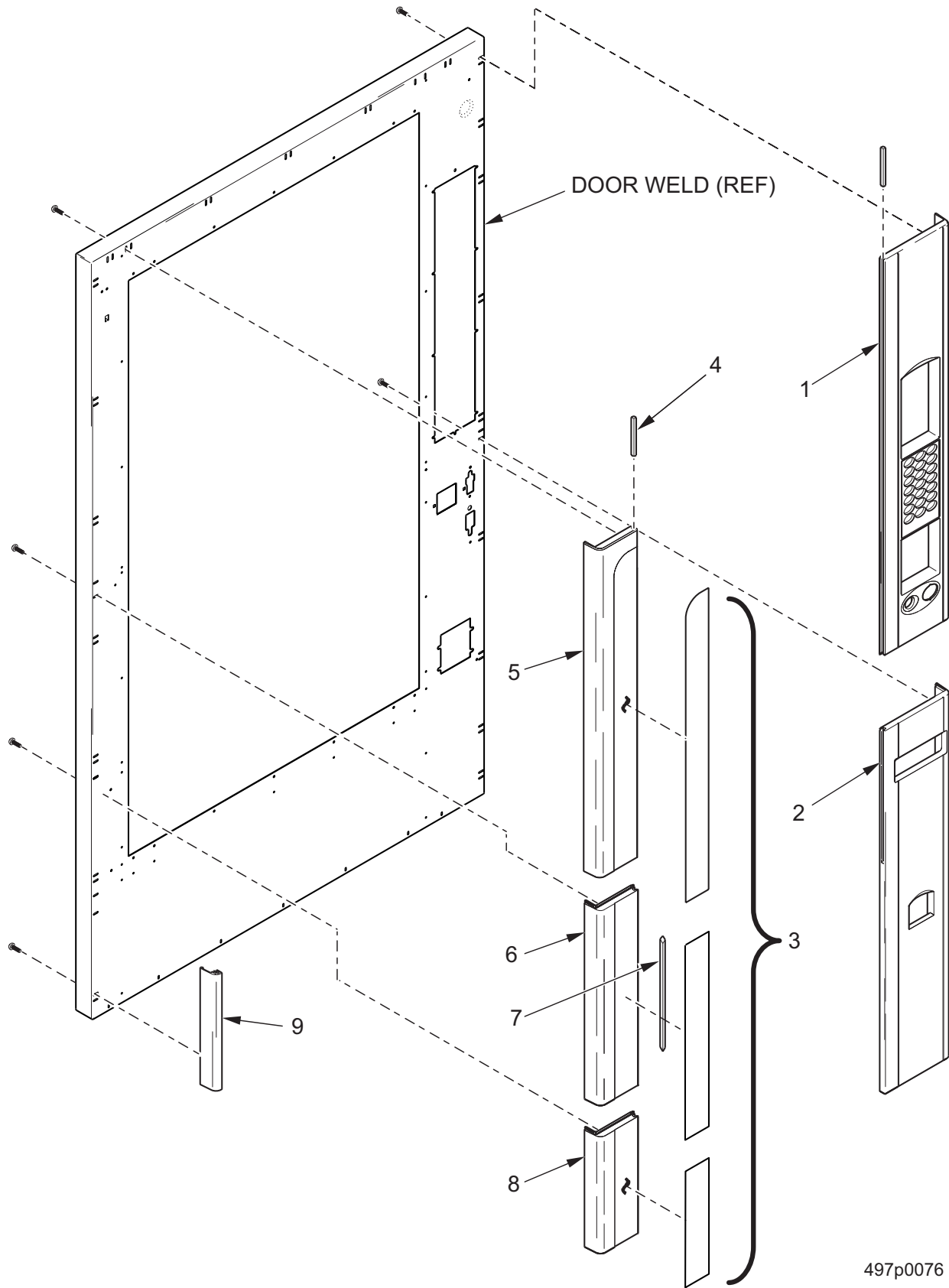


FIGURE 3: DOOR LOCK & HANDLE ASSEMBLY (IMPERIAL CROWN & SIGNATURE STYLES)

TABLE 3: DOOR LOCK & HANDLE ASSEMBLY (IMPERIAL CROWN & SIGNATURE STYLES)

INDEX	PART NUMBER	DESCRIPTION	QTY
1	1172190	LEVER - LOCK	1
2	1302291	PIVOT - LEVER LOCK	1
3	1172191	BASE - LEVER LOCK	1
4	1302289	CUP SPACER	1
5	9900170	SCREW - #10-32 X 1/2"PHIL.PAN HD	5
6	2272052	ACTUATOR ASSEMBLY - LOCK BAR	1
7	1302326	SHIELD - LATCH	1
8	9900121	WASHER - STEEL - 7/16 X .203 X .032	1
9	1302324	CATCH - DOOR LATCH	1
10	1302290	LATCH - LOCK LOWER	1
11	9992400	CYLINDER - LOCK	1 OPT
	9995066	LOCK CYLINDER ASSEMBLY - KEY 066	
	3112163	VAN LOCK	
--	3112164	KEY (NOT SHOWN) VAN LOCK APPLICATION (NOT SHOWN)	1 OPT



497p0076

FIGURE 4: COMMON TRIM AND PANEL COMPONENTS - MILLENNIA STYLING (PART 1 OF 2)

TABLE 4: COMMON TRIM AND PANEL COMPONENTS - MILLENNIA STYLING (PART 1 OF 2)

INDEX	PART NUMBER	DESCRIPTION	QTY
1	1572213	RIGHT HAND TRIM - UPPER - A-21	1
2	1572214	RIGHT HAND TRIM - LOWER - B	1
3	1572258	DECAL - DOOR TRIM VERTICAL ASSEMBLY (INCLUDES DECALS FOR INDEX #'S 5 6 & 8)	1
4	1572259	FILLER - GROOVE - SHORT	2
	4872018	FILLER - GROOVE - SHORT (SELECTA WHITE)	
5	4552058	LEFT HAND TRIM - UPPER - C	1
	4872007	LEFT HAND TRIM - UPPER - C (SELECTA WHITE)	
6	4552059	LEFT HAND TRIM - MIDDLE - D	1
	4872008	LEFT HAND TRIM - MIDDLE - D (SELECTA WHITE)	
7	1572260	FILLER - GROOVE - LONG	1
	4872019	FILLER - GROOVE - LONG (SELECTA WHITE)	
8	4552060	LEFT HAND TRIM - BOTTOM - E	1
	4872008	LEFT HAND TRIM - BOTTOM - E (SELECTA WHITE)	
9	1572267	TRIM - LOWER - DOOR SIDE - GRAY (167 168 457 458 764 765 784 787)	1
	1572324	TRIM - LOWER - DOOR SIDE - BLACK (167 168 457 458 764 765 784 787)	
	4872013	TRIM - LOWER - DOOR SIDE - SELECTA WHITE (167 168 765 784 787)	

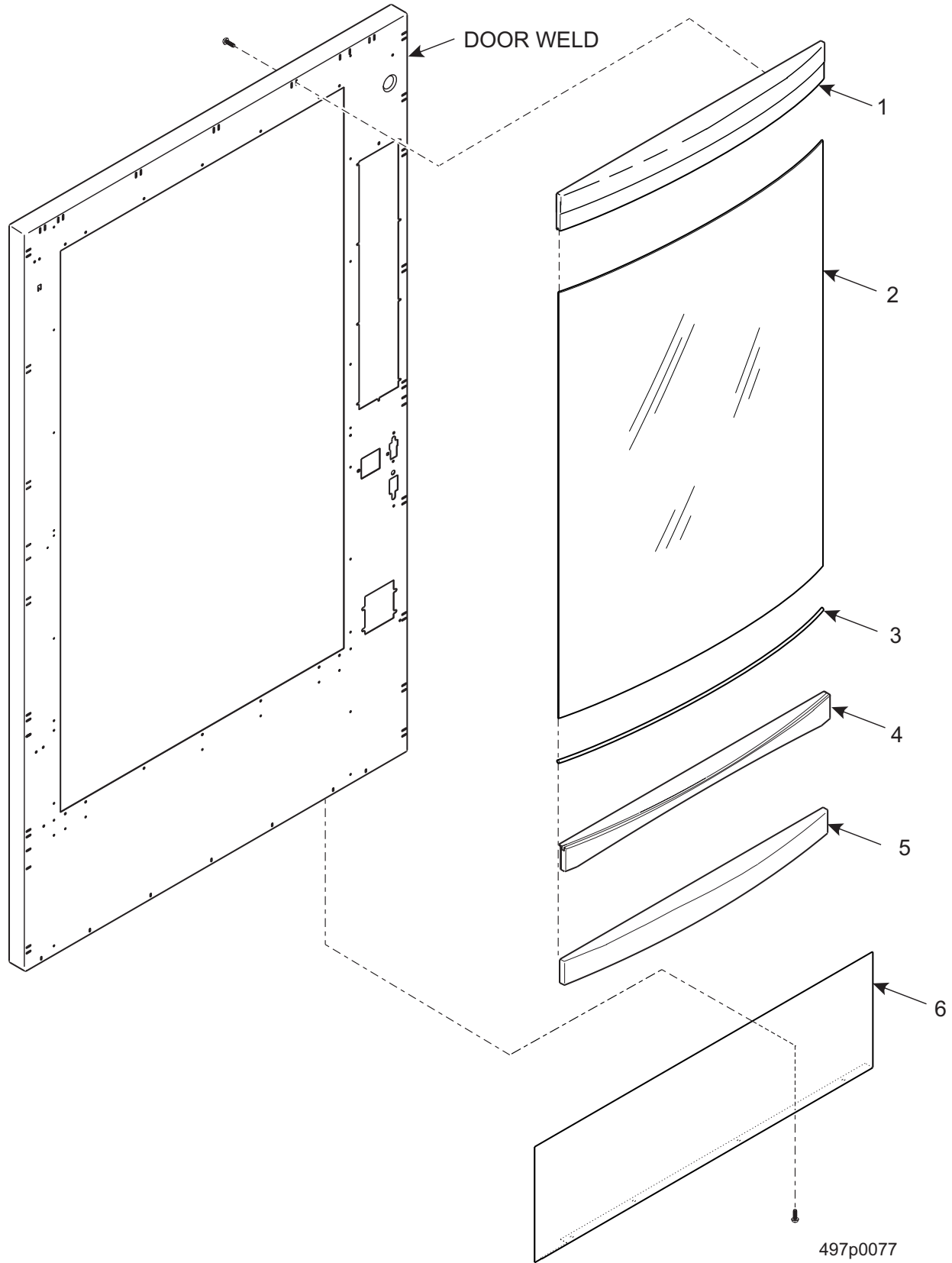


FIGURE 5: COMMON TRIM AND PANEL COMPONENTS - MILLENNIA STYLING (PART 2 OF 2)

TABLE 5: COMMON TRIM AND PANEL COMPONENTS - MILLENNIA STYLING (PART 2 OF 2)

INDEX	PART NUMBER	DESCRIPTION	QTY
1	1572218	HORIZONTAL TRIM - TOP - 38" - H1 (167 457 764)	1
	1572431	HORIZONTAL TRIM - TOP - 38" - SELECTA WHITE (167)	
	1672018	HORIZONTAL TRIM - TOP - 38" - BLACK (167 457 764)	
	1582200	HORIZONTAL TRIM - TOP - 32" - H (168 458 765 784 787)	
	4872011	HORIZONTAL TRIM - TOP - 32" - SELECTA WHITE (168 765 784 787)	
	6312016	HORIZONTAL TRIM - TOP - 32" - H - BLACK (168 458 765 784 787)	
--	1572236	DECAL - DOOR TRIM HORIZONTAL - 38" (167 457 764)	1
	1672021	DECAL - DOOR TRIM HORIZONTAL - 38" - BLACK (167 457 764)	
--	1582086	DECAL - DOOR TRIM HORIZONTAL - 32" (168 458 765 784 787)	
	1682033	DECAL - DOOR TRIM HORIZONTAL - 32" BLACK (168 458 765 784 787)	
2	1572228	GLASS - CURVED FRONT - 38" - SNACK (167 457 764)	1
	1582079	GLASS - CURVED FRONT - 32" - SNACK (168 457 765 784 787)	
3	1582093	GASKET - GLASS	1
4	1572219	HORIZONTAL TRIM - UPPER - 38" (167 457 764)	1
	1582201	HORIZONTAL TRIM - UPPER - 32" (168 458 765 784 787)	
5	1572220	HORIZONTAL TRIM - LOWER - 38" (167 457 764)	1
	1582202	HORIZONTAL TRIM - LOWER - 32" (168 458 765 784 787)	
6	1572327	PANEL - BOTTOM TRIM - GRAY - 38" (167 457 764)	1
	1572432	PANEL - BOTTOM TRIM - SELECTA WHITE - 38" (167)	
	1572325	PANEL - BOTTOM TRIM - BLACK - 38" (167 457 764)	
	1582115	PANEL - BOTTOM TRIM - GRAY - 32" (168 458 765 784 787)	
	4872012	PANEL - BOTTOM TRIM - SELECTA WHITE - 32"(168 765 784 787)	
	1582116	PANEL - BOTTOM TRIM - BLACK - 32" (168 458 765 784 787)	

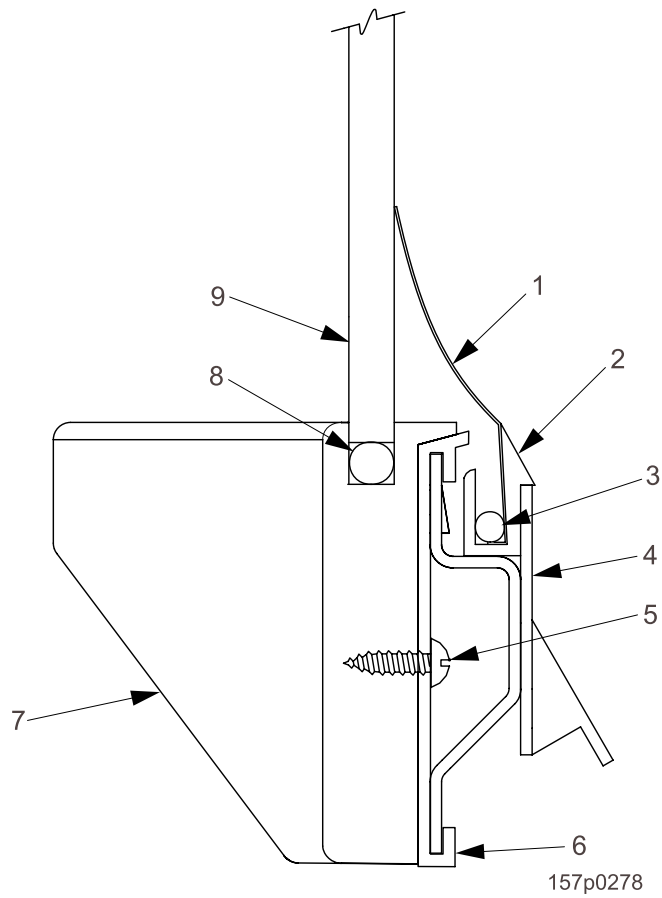


FIGURE 6: HORIZONTAL TRIM AND GLASS CHANNEL ASSEMBLY (MILLENNIA STYLING)

TABLE 6: HORIZONTAL TRIM AND GLASS CHANNEL ASSEMBLY (MILLENNIA STYLING)

INDEX	PART NUMBER	DESCRIPTION	QTY
--	1572247	CHANNEL & DELECTOR ASSEMBLY (167 457 764) (INCLUDES ITEMS 1-3)	1
	1582095	CHANNEL & DELECTOR ASSEMBLY (168 458 765 784 787) (INCLUDES ITEMS 1-3)	
1	1572249	DEFLECTOR - PRODUCT (167 457 764)	1
	1582097	DEFLECTOR - PRODUCT (168 458 765 784 787)	
2	1572248	CHANNEL - GLASS - LOWER (167 457 764)	1
	1582096	CHANNEL - GLASS - LOWER (168 458 765 784 787)	
3	1572238	CORD - 27.25" (167 457 764)	1
	1582094	CORD - 21.12" (168 458 765 784 787)	
--	1572376	HORIZONTAL TRIM & GLASS CHANNEL ASSEMBLY - 38" (167 457 764) (INCLUDES ITEMS 4-8)	--
	1582141	HORIZONTAL TRIM & GLASS CHANNEL ASSEMBLY - 32" (168 458 765 784 787) (INCLUDES ITEMS 4-8)	
	1582216	HORIZONTAL TRIM & GLASS CHANNEL ASSEMBLY - 32" (168 458 765 784 787) (INCLUDES ITEMS 4-8)	
4	1572445	PANEL ASSEMBLY - GLASS LOWER (167 457 764)	1
	1582229	PANEL ASSEMBLY - GLASS LOWER (168 458 765 784 787)	
5	1572269	SCREW - #6-19 X .50 HEX W/HD.-TF	10
6	1572451	TRIM PANEL - W/HOLES & BLACK ANOD (167 457 764)	1
	1582234	TRIM PANEL - W/HOLES & BLACK ANOD (168 458 765 784 787)	
	1582102	TRIM PANEL - W/HOLES & PAINTED (168 765 784 787)	
7	1572219	HORIZONTAL TRIM - UPPER - 38" (167 457 764)	1
	1582201	HORIZONTAL TRIM - UPPER - 32" (168 458 765 784 787)	
8	1572235	GASKET - GLASS (167 457 764)	1
	1582093	GASKET - GLASS (168 458 765 784 787)	
9	1572228	GLASS - CURVED FRONT - 38" (167 457 764)	1
	1582079	GLASS - CURVED FRONT - 32" (168 458 765 784 787)	

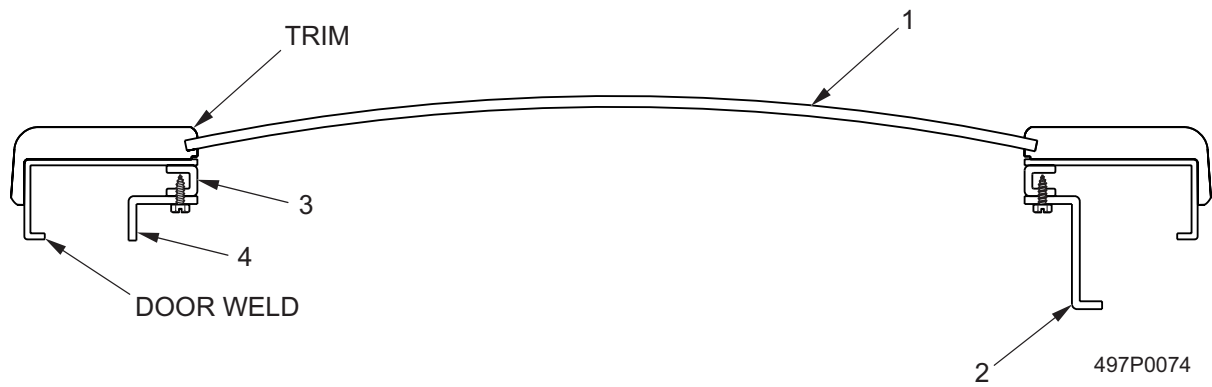
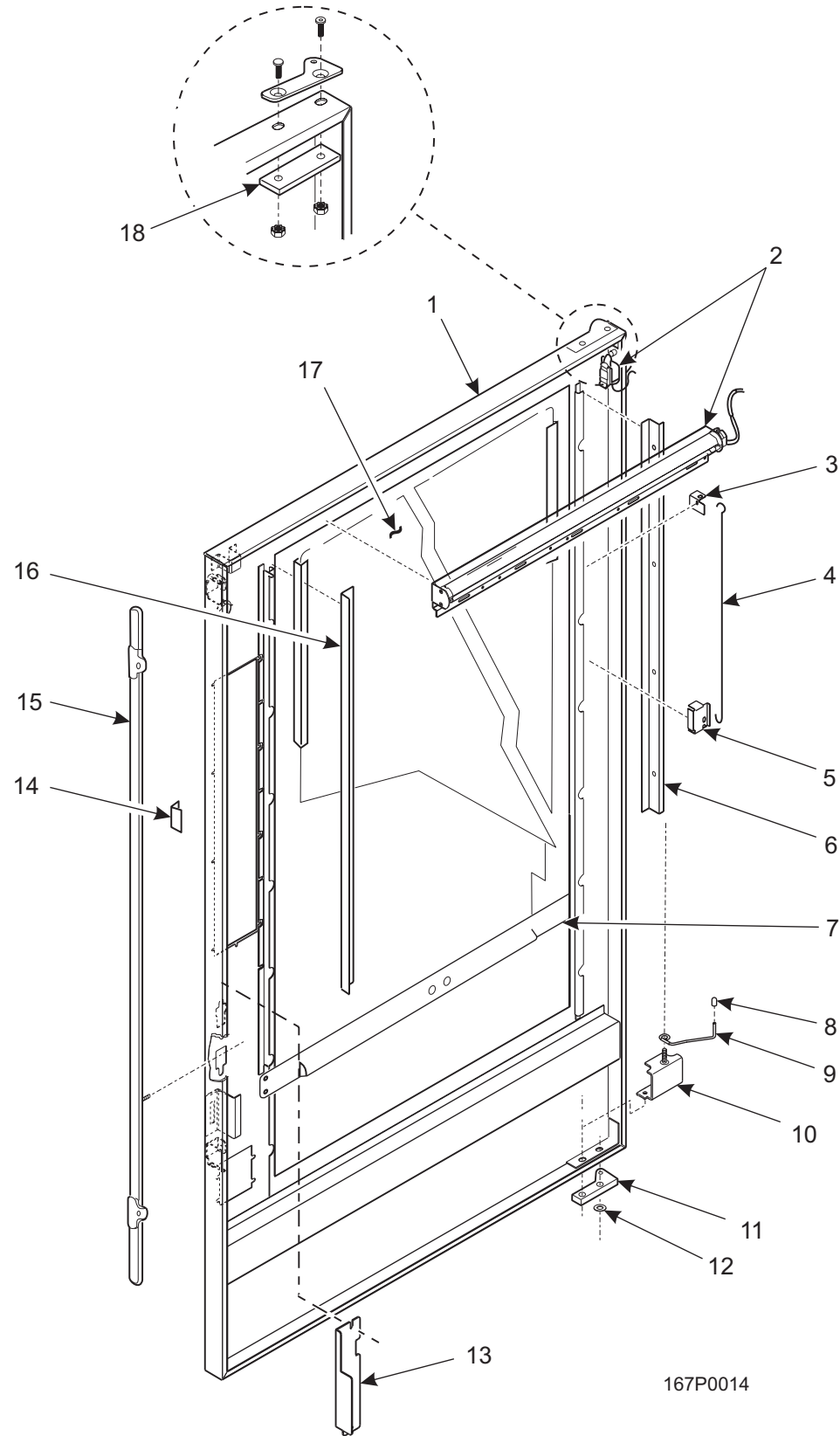


FIGURE 7: DOOR GLASS AND GLASS RETAINING COMPONENTS (MILLENNIA STYLING)

TABLE 7: DOOR GLASS AND GLASS RETAINING COMPONENTS (MILLENNIA STYLING)

INDEX	PART NUMBER	DESCRIPTION	QTY
1	1582079	GLASS - CURVED FRONT - 32" - SNACK (168 458 784 765 787)	1
	1572228	GLASS - CURVED FRONT - 38.13" - SNACK (167 457 764)	
2	1572020	RETAINER - GLASS W/O SIDE LIGHT (ALL MODELS)	REF
	4972107	RETAINER - GLASS W/ SIDE LIGHT (784 787)	
	4872005	RETAINER - GLASS W/ SIDE LIGHT (787)	
3	1572243	SPACER - GLASS - RETAINER	2
4	1472048	GLASS RETAINING PLATE	REF



167P0014

FIGURE 8: DOOR ASSEMBLY (MILLENNIA STYLING)

TABLE 8: DOOR ASSEMBLY (MILLENNIA STYLING)

INDEX	PART NUMBER	DESCRIPTION	QTY
1	1672020	DOOR ASSEMBLY - MILLENNIA ALL BLACK - 38"	1
	1572433	DOOR ASSEMBLY - MILLENNIA - SELECTA WHITE - 38"	
	1572375	DOOR ASSEMBLY - MILLENNIA - GRAY - 38"	
	1682059	DOOR ASSEMBLY - MILLENNIA - ALL BLACK - 32"	
	4872020	DOOR ASSEMBLY - MILLENNIA . -SELECTA WHITE - 32"	
	1582140	DOOR ASSEMBLY - MILLENNIA - GRAY - 32"	
2	--	UPPER DOOR LIGHT ASSEMBLY & BALLAST (SEE TABLE 10 FOR DETAILS)	1
3	1572028	RETAINER-ROD SUPPORT-COMMON	1
4	1479140	ROD - SUPPORT - GUM & MINT	1
5	1572027	SUPPORT - PROP ROD - COMMON	1
6	1572020	RETAINER - GLASS W/O SIDE LIGHT (SHOWN) (167168 457 458 764 765 784 787)	1
	4872015	RETAINER - GLASS - LG (SELECTA WHITE ONLY)	
7	1572376	HORIZONTAL TRIM & GLASS CHANNEL ASSEMBLY - 38" (167 457 764) (SEE TABLE 6 FOR DETAILS)	1
	1582141	HORIZONTAL TRIM & GLASS CHANNEL ASSEMBLY - 32" (168 458 765 784 787)	
	1582216	HORIZONTAL TRIM & GLASS CHANNEL ASSEMBLY - 32" (168 458 765 784 787)	
8	1571037	CAP - VINYL - .281 ID X .50 LONG	1
9	1572009	ROD - DOOR CHECK	1
10	1572007	WELD ASSEMBLY - DOOR CHECK	1
11	6232031	HINGE ASSEMBLY - DOOR - LOWER	1
	4872016	HINGE ASSEMBLY - DOOR - LOWER - SELECTA WHITE	
12	4242145	BEARING THRUST - LOWER HINGE	1
13	1572196	CHANNEL - FILLER - LOCK	1
14	1472250	GUIDE - LOCK BAR	1
15	1472178	LOCK BAR ASSEMBLY	1
16	1472048	PLATE - GLASS RETAINING FLT BLACK	1
17	1572228	GLASS - CURVED FRONT - 38" SNACK, KB (167 457 764) (SEE TABLE 7 FOR DETAILS)	1
	1582079	GLASS - CURVED FRONT - 32" SNACK (168 458 765 784 787) (SEE TABLE 7 FOR DETAILS)	
18	1571098	HINGE ASSEMBLY - UPPER	1

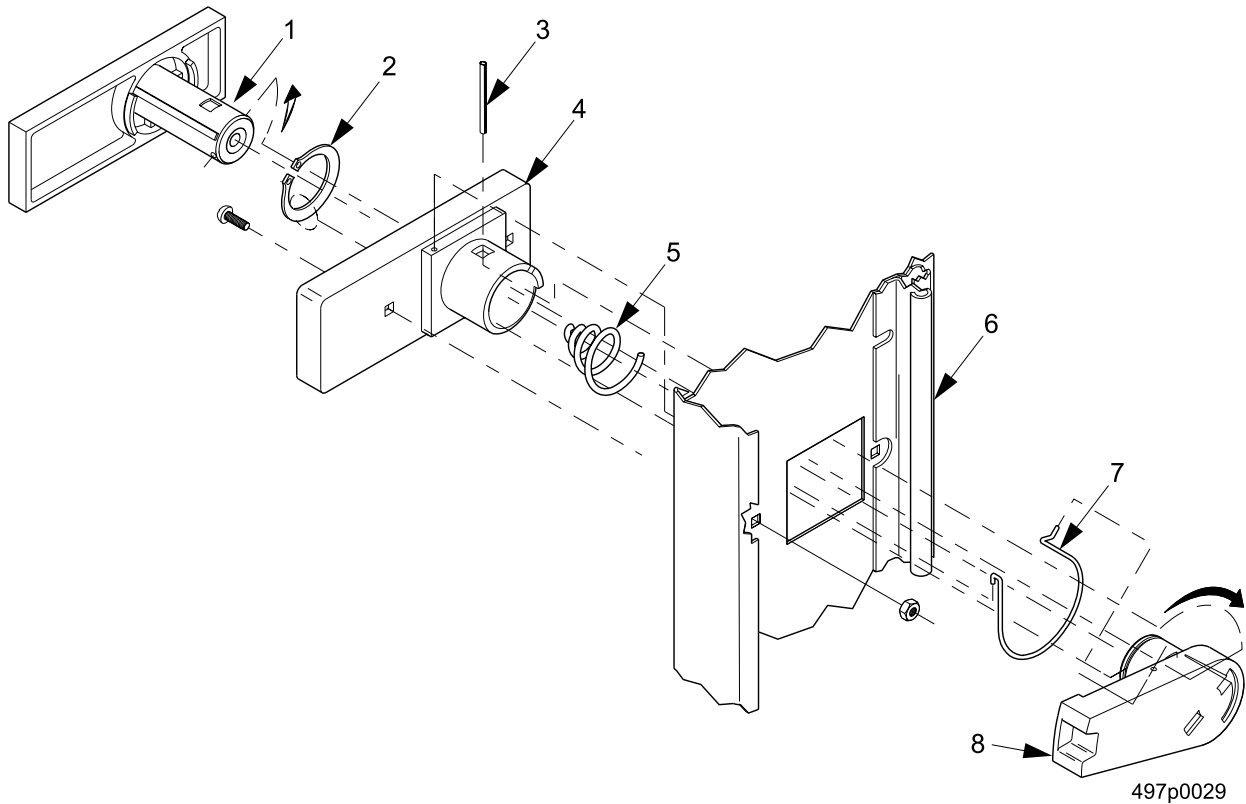


FIGURE 9: DOOR LOCK AND HANDLE ASSEMBLY (MILLENNIA STYLE)

TABLE 9: DOOR LOCK AND HANDLE ASSEMBLY (MILLENNIA STYLE)

INDEX	PART NUMBER	DESCRIPTION	QTY
--	1572395	LOCK ASSEMBLY - MILLENNIA	1
1	1572397	LEVER - HANDLE	1
2	1572199	RETAINING RING - LOCK ACTUATOR	1
3	6104218	ROLL PIN - 1/8 X 1 IN.	1
4	1572396	BASE - LOCK HANDLE	1
5	1572203	SPRING - LOCK	1
6	1582069	WELD ASSEMBLY - DOOR - N.V.BLACK	1
7	1572204	SPRING - LIFT - ACTUATOR	1
8	1572398	ACTUATOR - LOCK BAR	1

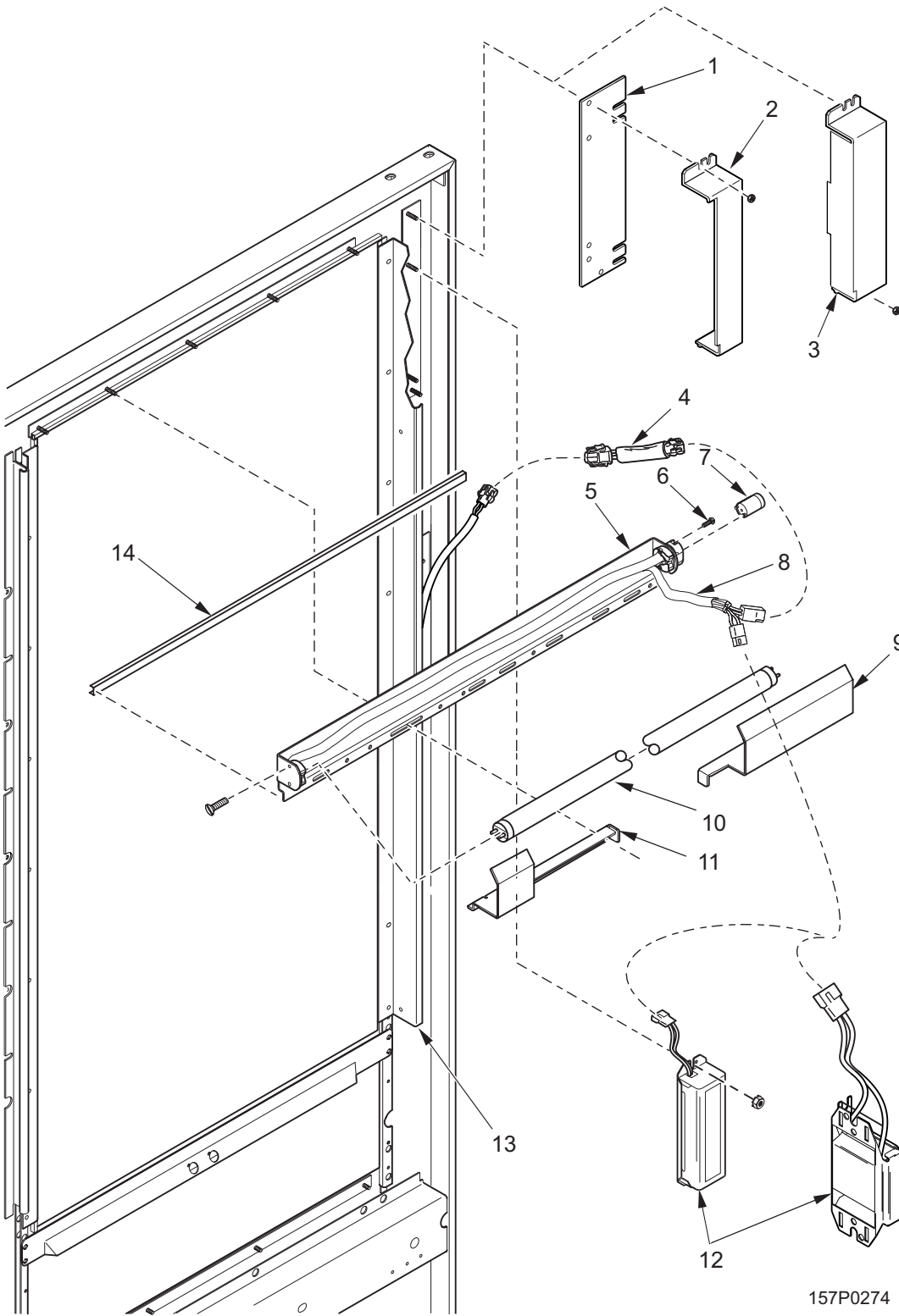


FIGURE 10: LIGHT ASSEMBLY - UPPER DOOR

TABLE 10: LIGHT ASSEMBLY - UPPER DOOR

INDEX	PART NUMBER	DESCRIPTION	QTY
1	1572046	PLATE - BALLAST (230V MODELS)	1
2	1572047	COVER - BALLAST - EUROPE (230 V MODULES)	1
--	1672079	BALLAST & PLATE ASSEMBLY (INCLUDES ITEMS 1 AND 3)	--
3	1572016	BALLAST ASSEMBLY - 20W - 230V	1
4	1679005	FLUORESCENT LIGHT FILTER - 120/230V	1
--	1702022	LAMP BRACKET & HARNESS ASSEMBLY (20W) (120V MODELS 168 458 765 784 787 AND ALL 230V MODELS)	1
	1702023	LAMP BRACKET & HARNESS ASSEMBLY (25W) (120V MODELS 167 457 764) (INCLUDES ITEMS 5 & 8)	
5	1702025	BRACKET - LIGHT - 20 WATT	1
	1702024	BRACKET - LIGHT - 25 WATT	
6	3107171	SCREW - #4-36X5.8 RHS	2
7	2222095	STARTER (20W) (ALL MODELS WITH 1702003 LIGHT ASSEMBLY)	1
	2302218	STARTER (25W) (ALL MODELS WITH 1702004 LIGHT ASSEMBLY)	
8	1709019	HARNESS - LIGHT & FILTER ASSEMBLY	1
9	1572045	COVER - LIGHT SOCKET - LEFT (230 V MODELS)	1
10	1122138	FLUORESCENT LAMP #F20T12/CW KB (20W)	1
	1172115	FLUORESCENT LAMP (25W)	
11	1572044	COVER - LIGHT SOCKET - RIGHT (230 V MODELS)	1
12	3151058	BALLAST-120V (168 458 765 784 787)	1
	6152188	BALLAST-120V (167 457 764)	
13	1572044	COVER - LIGHT SOCKET - RIGHT (230 V MODELS)	1
14	1572244	SPACER - LIGHT BRACKET (167 457 764 - MILLENNIA STYLE ONLY)	1
	1582085	SPACER - LIGHT BRACKET (168 458 765 784 787 -MILLENNIA STYLE ONLY)	

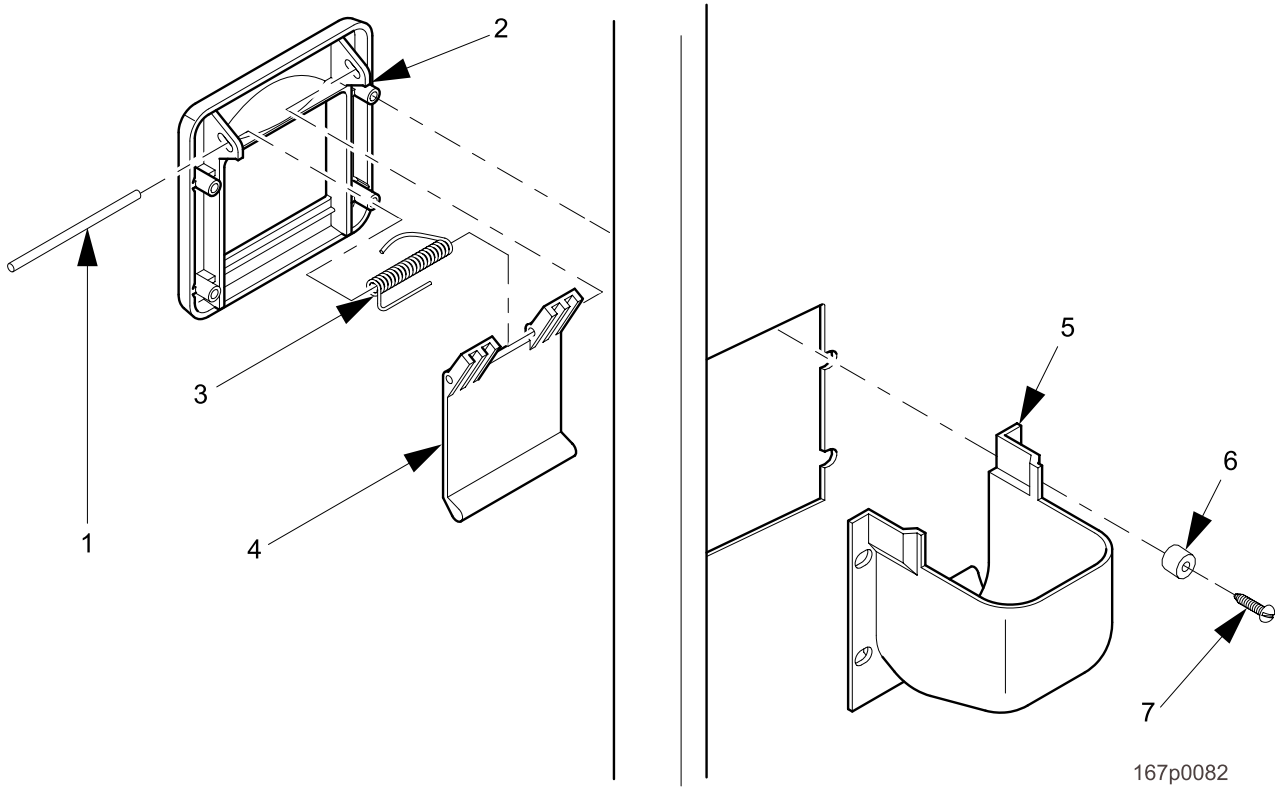
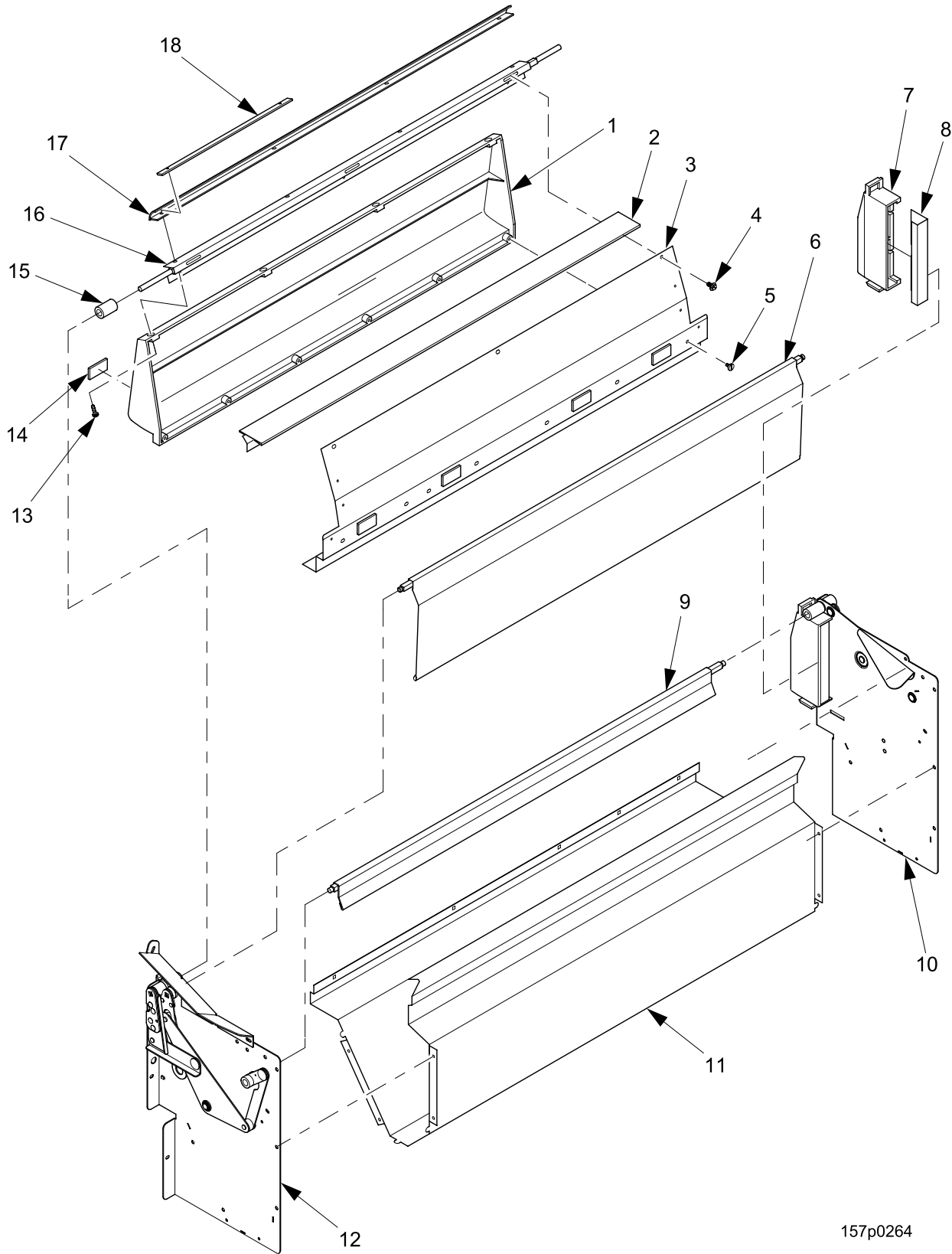


FIGURE 11: COIN RECEPTACLE ASSEMBLY

TABLE 11: COIN RECEPTACLE ASSEMBLY

INDEX	PART NUMBER	DESCRIPTION	QTY
--	1672080	GATE & TRIM ASSEMBLY - COIN RETURN (ITEMS 1-4)	--
--	1672082	GATE, SPRING & SHAFT ASSEMBLY (ITEMS 1, 3, 4)	--
1	4245084	SHAFT - DOOR - COIN RETURN	1
2	1572011	TRIM - COIN RECEPTACLE	1
3	4245083	SPRING - COIN RETURN DOOR	1
4	4245082	GATE - COIN RETURN	1
	7212191	GATE - COIN RETURN DOOR-STAINLESS	
5	1572010	CUP - COIN RETURN	1
6	2302053	SPACER - CUP	4
7	9900160	SCREW-#8-18 X 1/2 PHIL.PAN HD.	4



157p0264

FIGURE 12: DELIVERY PAN ASSEMBLY

TABLE 12: DELIVERY PAN ASSEMBLY

INDEX	PART NUMBER	DESCRIPTION	QTY.
--	1572354	DELIVERY PAN ASSEMBLY - 38" (167 457 764)	--
	1672028	DELIVERY PAN ASSEMBLY - 38" SUREVEND (167 457 764)	
	1672075	DELIVERY PAN ASSEMBLY - 38" WELLA (167 457 764)	
	1682049	DELIVERY PAN ASSEMBLY - 32" SUREVEND (168 458 765 784 787)	
	1682060	DELIVERY PAN ASSEMBLY - 32" WELLA (168 458 765 784 787)	
1	1572053	DOOR - DELIVERY - 38" (167 457 764)	1
	1582080	DOOR - DELIVERY - 32" (168 458 765 784 787)	
2	1582127	FILLER - FRONT - 32" (168 458 765 784 787)	1
	7211273	FILLER - FRONT - 38" (167 457 764)	
	1682064	FILLER - FRONT - DELIVERY PAN - 32" - WELLA (168 458 765)	
3	1572289	BACK - DELIVERY DOOR - 38" (167 457 764)	1
	1582126	BACK - DELIVERY DOOR - 32" (168 458 765 784 787)	
4	4245186	SCREW - #8 32 X 1/4 PHS-T/F	11
5	4245186	SCREW - #8 32 X 1/4 PHS-T/F	6
6	1672037	DOOR ASSEMBLY - PILFERAGE - 38" (167 457 764)	1
	1682048	DOOR ASSEMBLY - PILFERAGE - 32" (168 458 765 784 787)	
7	1572229	FILLER - LEFT HAND	1
8	1672084	CHANNEL - FILLER MOUNT	1
9	1672036	DOOR ASSEMBLY - REAR - 38" - FLAT "T" BLACK (167 457 764)	1
	1682047	DOOR ASSEMBLY - REAR - 32" - FLAT "T" BLACK (168 458 765 784 787)	
10	1572424	SIDE PLATE ASSEMBLY - LEFT HAND	2
11	1572457	WELD ASSEMBLY - DELIVERY PAN - 38" (167 457 764)	1
	1582237	WELD ASSEMBLY - DELIVERY PAN - 32" (168 458 765 784 787)	
12	1572426	SIDE PLATE ASSEMBLY - RIGHT HAND	1
13	1572450	SCREW-#8-32 X 9/16 P/H PHIL.	4
14	1412058	TAPE - VINYL FOAM	3
15	1572315	SPACER - DELIVERY DOOR	2
16	1572447	CHANNEL ASSEMBLY - 38" - DELIVERY DOOR	1
	1582231	CHANNEL ASSEMBLY - 32" - DELIVERY DOOR	
17	1572448	GUARD - DELIVERY DOOR - UPPER - 38"	1
	1582232	GUARD - DELIVERY DOOR - UPPER - 32"	
18	1572449	STRIP - THREADED - 38"	2
	1582233	STRIP - THREADED - 32"	

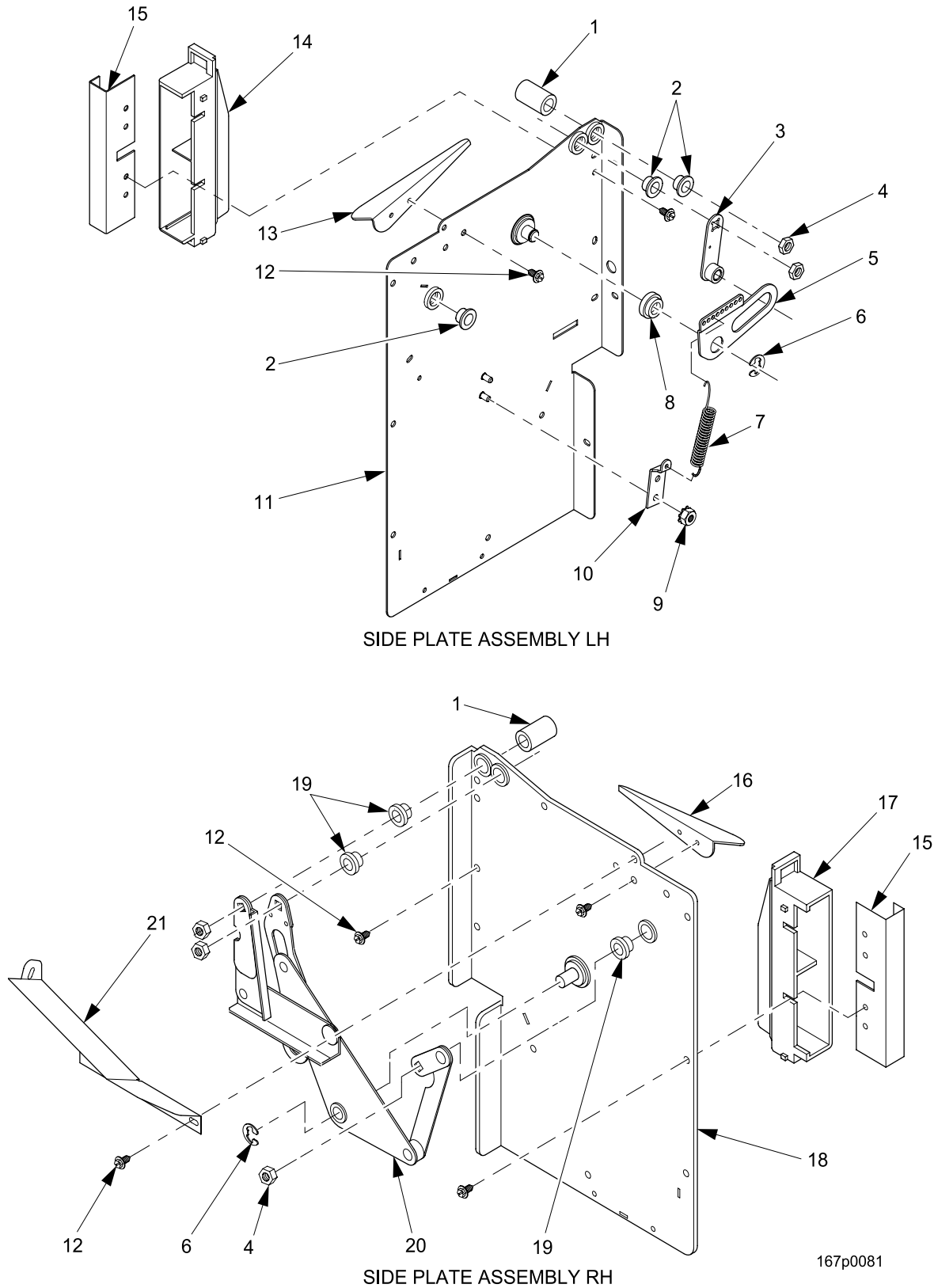
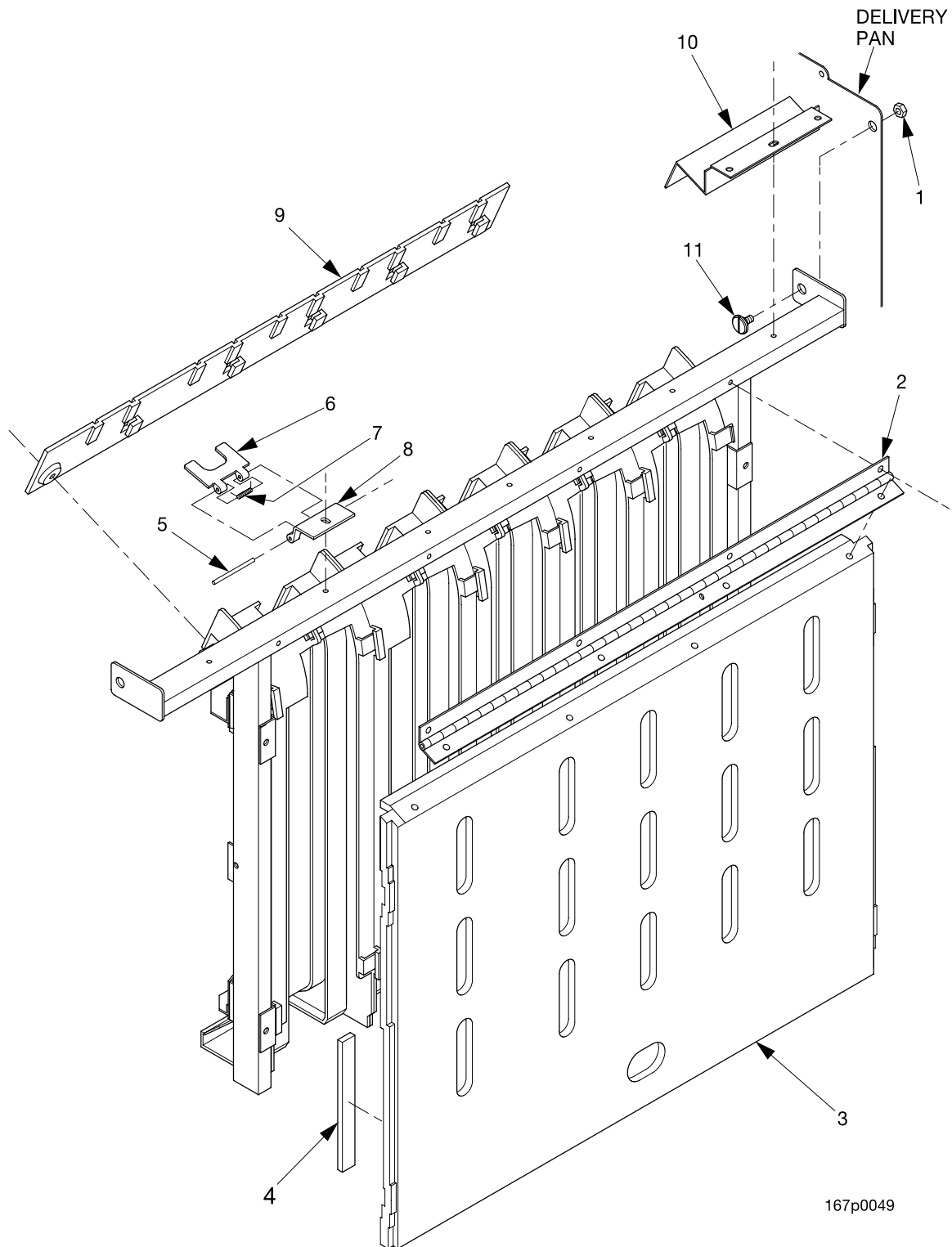


FIGURE 13: DELIVERY PAN SIDE PLATES

TABLE 13: DELIVERY PAN SIDE PLATES

INDEX	PART NUMBER	DESCRIPTION	QTY.
1	1572315	SPACER - DELIVERY DOOR	2
2	1572452	SLEEVE - PILFER DOOR - LEFT HAND	1
3	1572353	ARM ASSEMBLY - SPRING ASSIST SLEEVE - DELIVERY DOOR	1
4	9900184	NUT 1/4-20 SELF - LOCKING	6
5	1572423	ACTUATOR ASSEMBLY - SPRING ASSIST	1
6	9900437	RETAINING RING REINF E TYP.375	2
7	1572420	SPRING	1
8	1572317	COLLAR - SPRING ASSIST ARM	1
9	9900081	NUT #8-32 KEPS ZINC PLATE	11
10	1572421	ANCHOR - SPRING	1
11	1572424	SIDE PLATE ASSEMBLY - LEFT HAND	1
12	1572269	SCREW - #6-19 X .50 HEX W/HD.-TF	4
13	1672039	DEFLECTOR - INNER - LEFT HAND - FLT "T" BLACK	1
14	1572229	FILLER - LEFT HAND	1
15	1672084	CHANNEL - FILLER MOUNT	2
16	1672038	DEFLECTOR - INNER - RIGHT HAND - FLT "T" BLACK	1
17	1572230	FILLER - RIGHT HAND	1
18	1572425	SIDE PLATE ASSEMBLY - RIGHT HAND	1
19	1572417	SLEEVE - PILFER & REAR DOOR - RIGHT HAND	2
20	1572410	LINKAGE ASSEMBLY - RIGHT HAND	1
21	1572029	DEFLECTOR - PRODUCT - RIGHT HAND	1

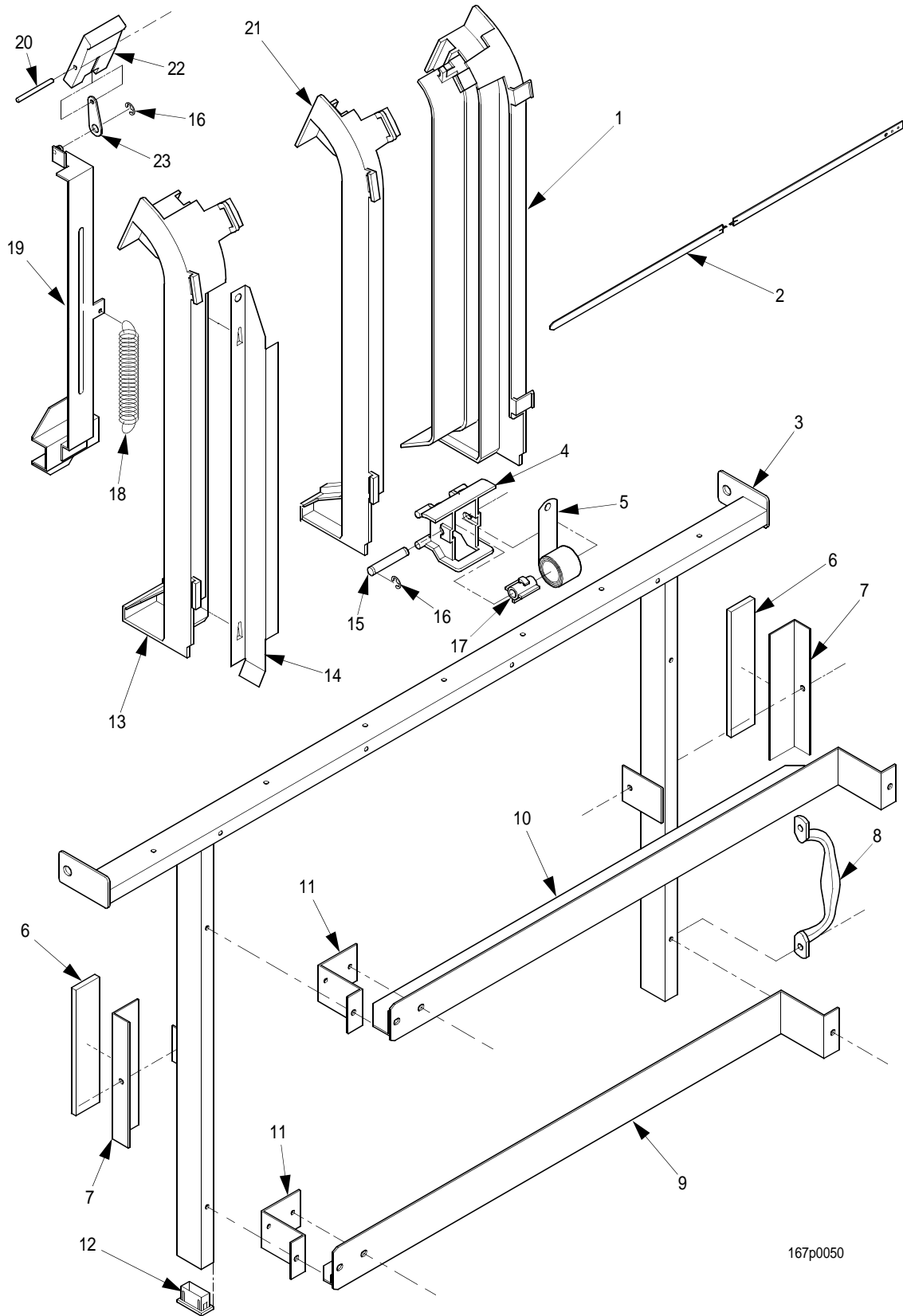


167p0049

FIGURE 14: GUM AND MINT ASSEMBLY (PART 1 OF 3)

TABLE 14: GUM AND MINT ASSEMBLY (PART 1 OF 3)

INDEX	PART NUMBER	DESCRIPTION	QTY.
--	1577000	GUM & MINT COLUMN (167 457 764)	--
	1582136	GUM & MINT COLUMN (168 458 765 784 787)	
1	9900206	NUT #10-32 SELF-LOCKING	2
2	1479104	HINGE - COVER	1
--	1479125	COVER ASSEMBLY (INCLUDES INDEX 3 4)	--
3	1479101	COVER - GUM & MINT	1
4	1479119	MAGNET - RETAINER	2
5	1479083	PIN - HINGE	5
6	1479081	HINGE - FRONT	5
7	1479084	SPRING - HINGE	5
8	1479082	HINGE - BACK	5
9	1479105	WINDOW - GUM & MINT	1
10	1479103	FILLER - GUM & MINT	2
11	1479052	STUD - PIVOT - G & M	2

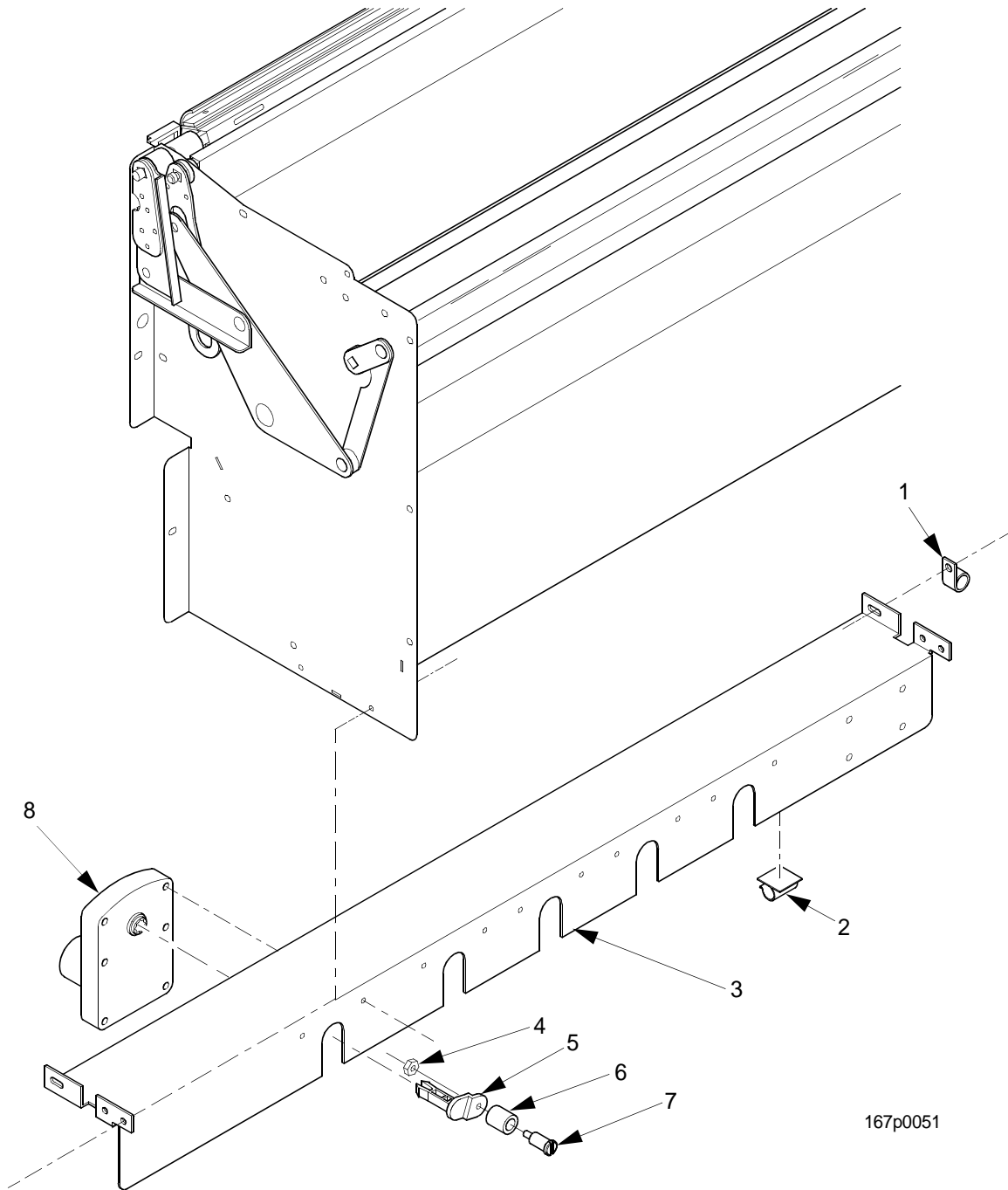


167p0050

FIGURE 15: GUM AND MINT ASSEMBLY (PART 2 OF 3)

TABLE 15: GUM AND MINT ASSEMBLY (PART 2 OF 3)

INDEX	PART NUMBER	DESCRIPTION	QTY.
1	1479075	CHANNEL - GUM & MINT - LEFT	5
2	1579053	RETAINER	3
3	1479136	FRAME ASSEMBLY - GUM & MINT (167 457 764)	1
	1489008	FRAME ASSEMBLY - GUM & MINT (168 458 765 784 787)	
4	1479079	PUSHER	5
5	1479106	SPRING - PUSHER	5
6	3122056	MAGNET RETAINER - COIN CHANGER	2
7	1479117	ANGLE - MAGNET	2
8	1479139	PULL - DOOR	1
9	1479092	SUPPORT ASSEMBLY - MAGAZINE - LOWER	1
10	1479089	SUPPORT ASSEMBLY - MAGAZINE - UPPER	1
11	1479095	BRACKET - MAGAZINE	2
12	1479120	CAPLUG - REC. ½ X 1	2
13	1479077	CHANNEL - GUM & MINT - RIGHT - LARGE	2
14	1479064	SPACER - COLUMN - G & M	2
15	1479099	PIN - PUSHER	5
16	9900425	RETAINING RING REINF E TYP. 250	15
17	1479080	SPOOL - SPRING	5
18	4246307	SPRING - HORIZONTAL SELECTOR ARM	5
19	1677171	DRIVE BAR & STUD ASSEMBLY	5
20	1479098	PIN - EJECTOR	5
21	1479076	CHANNEL - GUM & MINT - RIGHT - SMALL	3
22	1479078	EJECTOR - GUM & MINT	5
23	1479097	LINK - EJECTOR	5
--	1679061	HARNESS - GUM & MINT - 4 & 5 MOTOR (NOT SHOWN)	1

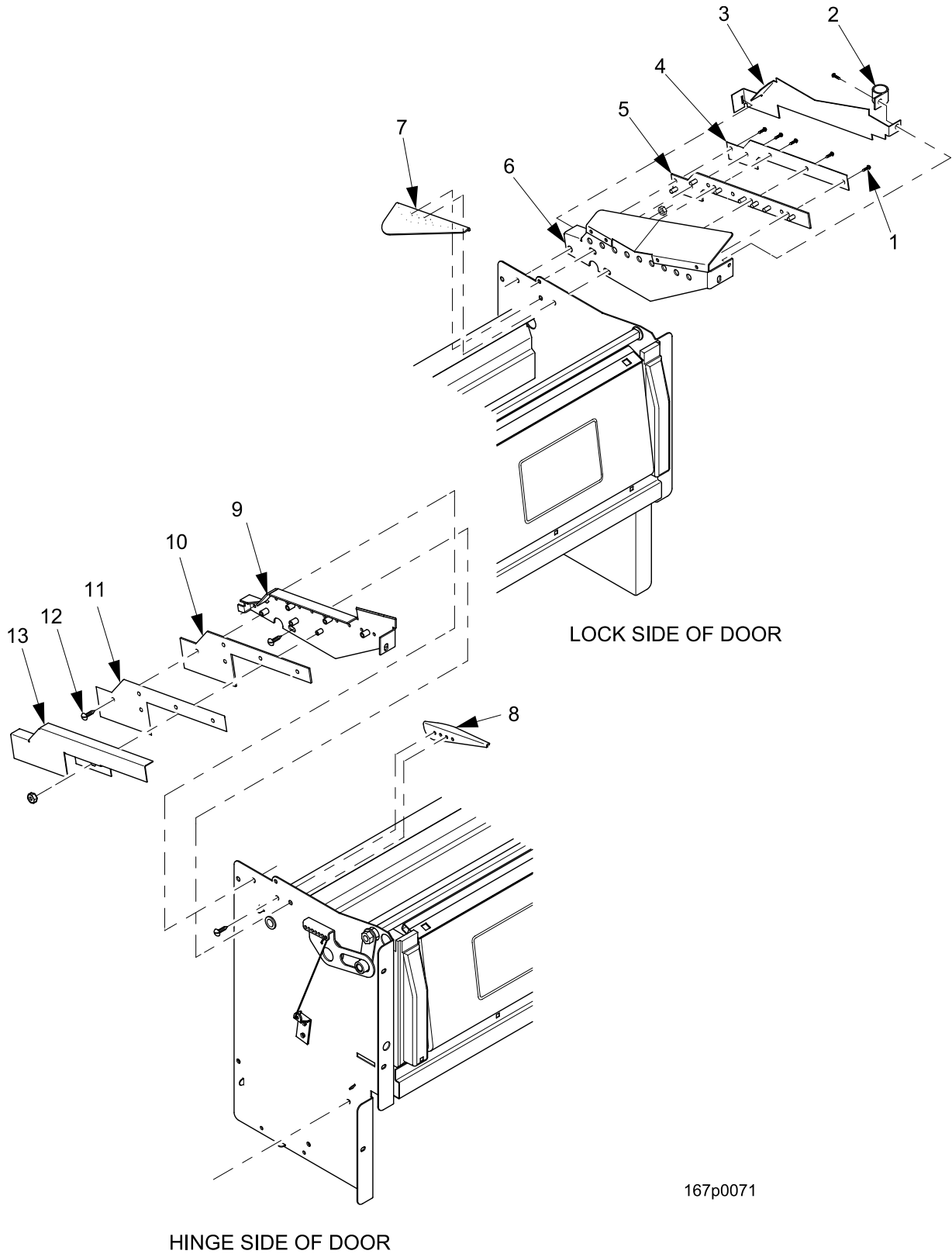


167p0051

FIGURE 16: GUM AND MINT ASSEMBLY (PART 3 OF 3)

TABLE 16: GUM AND MINT ASSEMBLY (PART 3 OF 3)

INDEX	PART NUMBER	DESCRIPTION	QTY.
1	1452139	RETAINER - HARNESS (167 457 764)	1
	4732024	RETAINER - HARNESS (168 458 765 784 787)	
2	6131143	CABLE CLAMP - RICHCO #KKC6	2
3	1582137	ANGLE - MOTOR (168 458 765 784 787)	1
	1572351	ANGLE - MOTOR (167 457 764)	
4	9900030	NUT #8-32 SELF - LOCKING (167 457 764)	5
	1412046	8-32 NUT MF 23TW832 (168 458 765 784 787)	
5	1479145	ARM - DRIVE MOTOR	5
6	1479063	ROLLER - DRIVE ARM	5
7	1479062	STUD - DRIVE ARM	5
8	1577038	MOTOR & PC BOARD ASSEMBLY	5



167p0071

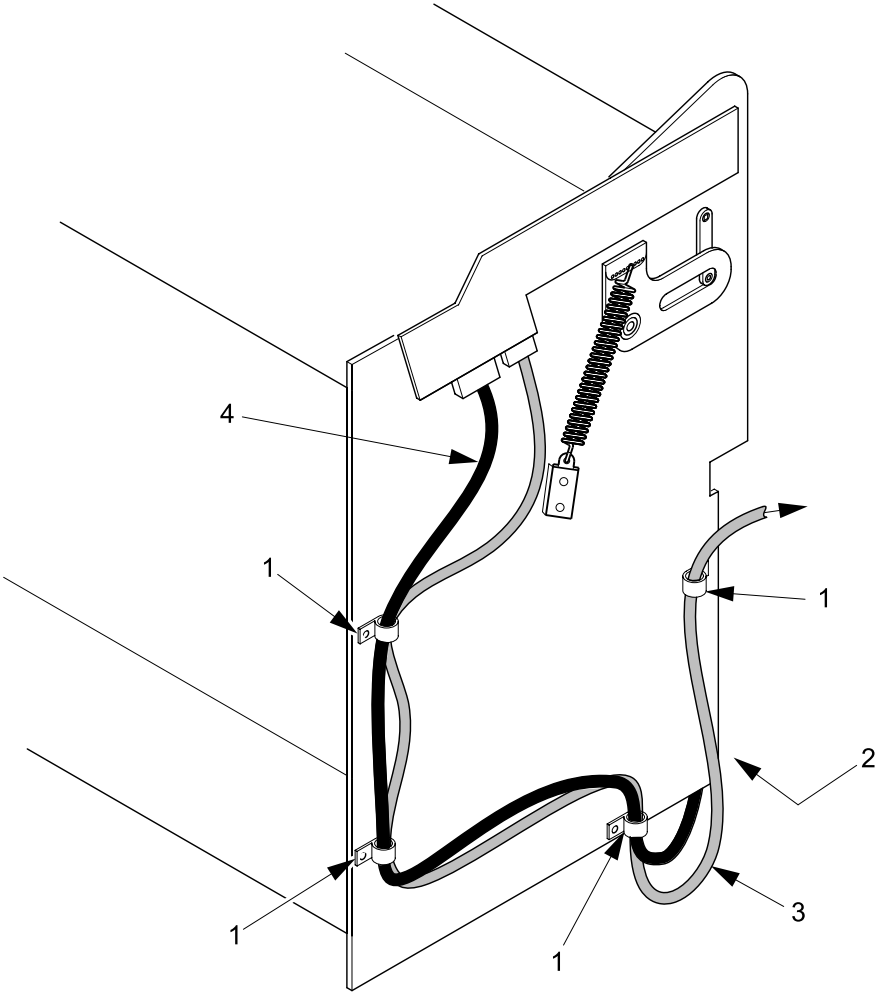
FIGURE 17: SUREVEND EMITTER AND RECEIVER

TABLE 17A: SUREVEND EMITTER

INDEX	PART NUMBER	DESCRIPTION	QTY
1	5262216	#6-32X1/4 PPHD M SCR	5
2	1452139	RETAINER - HARNESS (167 457 764)	1
	4732024	RETAINER - HARNESS (168 458 765 784 787)	
3	1672043	COVER - PCB - LEFT HAND	1
4	1672050	PAPER BACKING - LEFT PCB - SURE VEND	1
5	1676011	PCB ASSEMBLY - PRODUCT DETECTION LED	1
6	1672029	SENSOR BRACKET ASSEMBLY - LEFT - SURE VEND	1
7	1672039	DEFLECTOR - INNER - LEFT HAND - FLAT T BLACK	1

TABLE 17B: SUREVEND RECEIVER

INDEX	PART NUMBER	DESCRIPTION	QTY
8	1672038	DEFLECTOR - INNER - RIGHT HAND - FLAT T BLACK	1
9	1672032	SENSOR BRACKET ASSEMBLY - RIGHT - SUREVEND	1
10	1676000	PCB ASSEMBLY - PRODUCT DETECTOR - RECEIVER	1
11	1672051	PAPER BACKING - RIGHT PCB - SURE VEND	1
12	5262216	1632104 #6-32X1/4 PPHD M SCR	--
13	1672044	COVER - PCB - RIGHT HAND	1

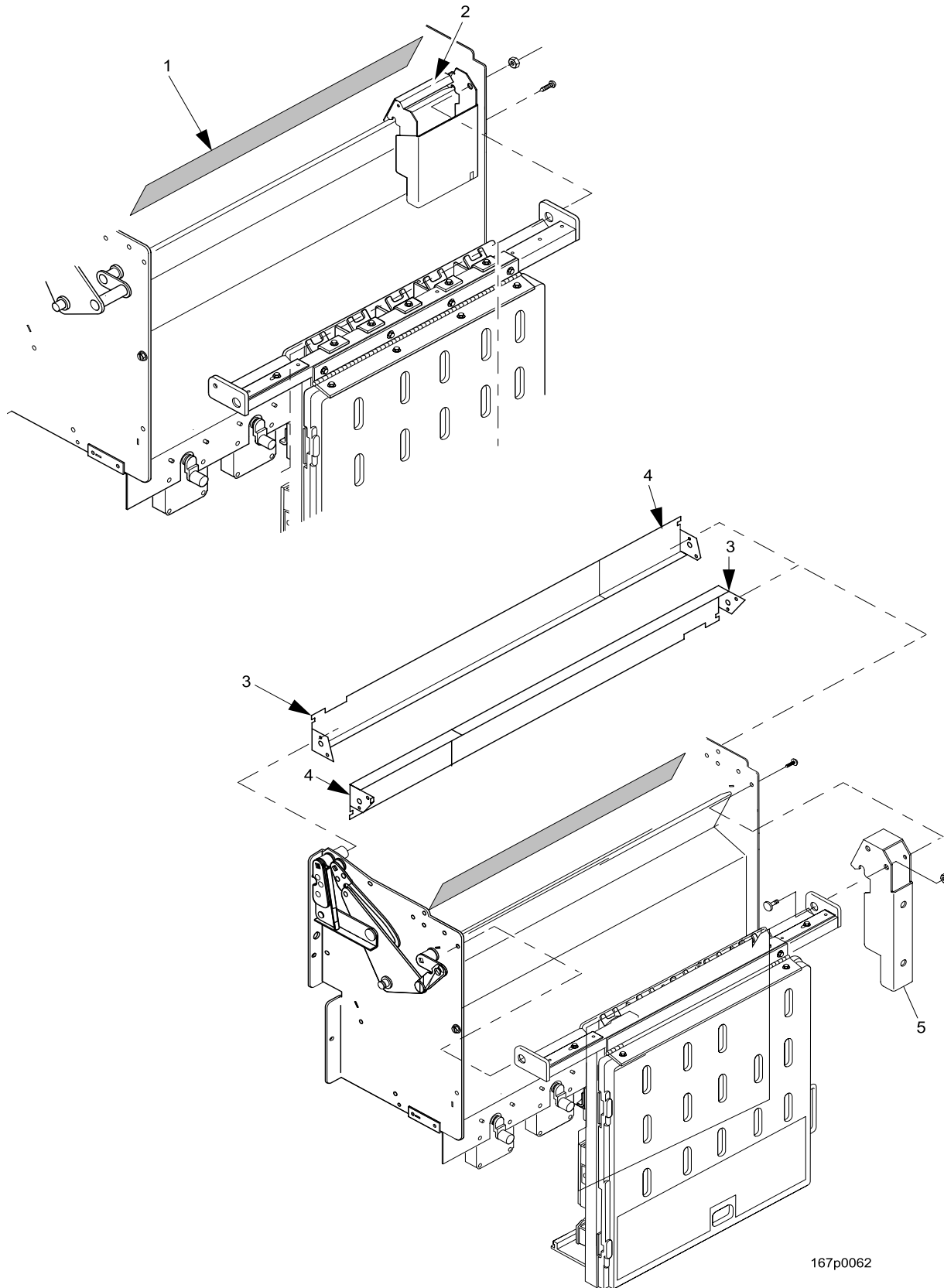


167p0056

FIGURE 18: WIRING - HINGE SIDE OF DELIVERY PAN

TABLE 18: WIRING - HINGE SIDE OF DELIVERY PAN

INDEX	PART NUMBER	DESCRIPTION	QTY
1	4732024	RETAINER - HARNESS	4
2	4042121	WIRE TIE - #PLT1M-M20	1
3	1679012	HARNESS - MAIN CONTROL TO SENSOR	1
4	1679013	HARNESS - EMITTER TO DETECTOR	1

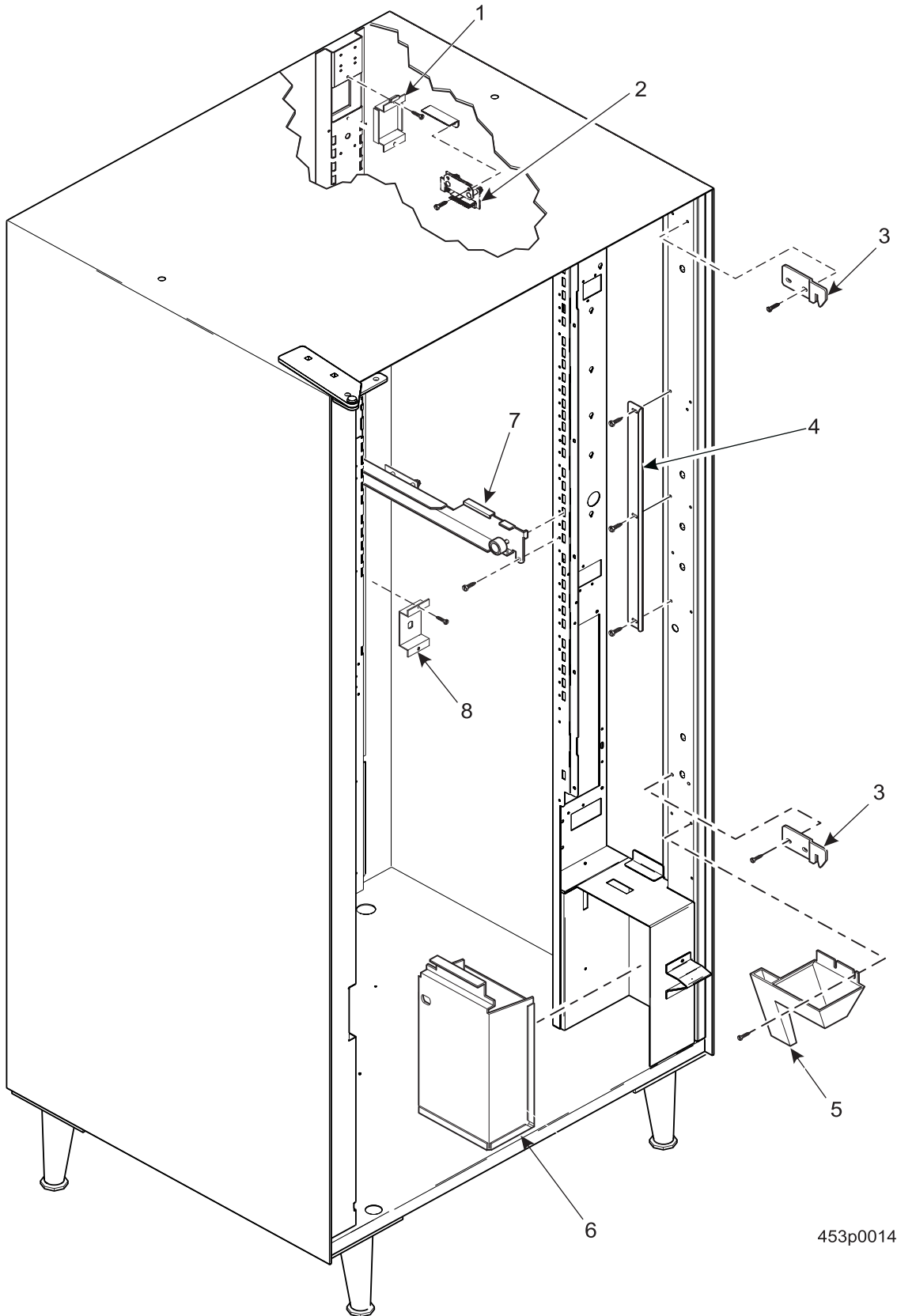


167p0062

FIGURE 19: DEFLECTORS AND DECAL

TABLE 19: DEFLECTORS AND DECAL

INDEX	PART NUMBER	DESCRIPTION	QTY
1	1672052	LABEL - GUM & MINT - MATTE	1
2	1672056	PRODUCT DEFLECTOR ASSEMBLY - RIGHT HAND - SUREVEND (MODEL 167)	1
3	1672055	FILLER ASSEMBLY -RIGHT - DELIVERY PAN	2
4	1672054	FILLER ASSEMBLY - LEFT - DELIVERY PAN	2
5	1682054	PRODUCT DEFLECTOR ASSEMBLY - RIGHT HAND - SUREVEND (MODEL 168)	1



453p0014

FIGURE 20: CABINET LOOSE PARTS

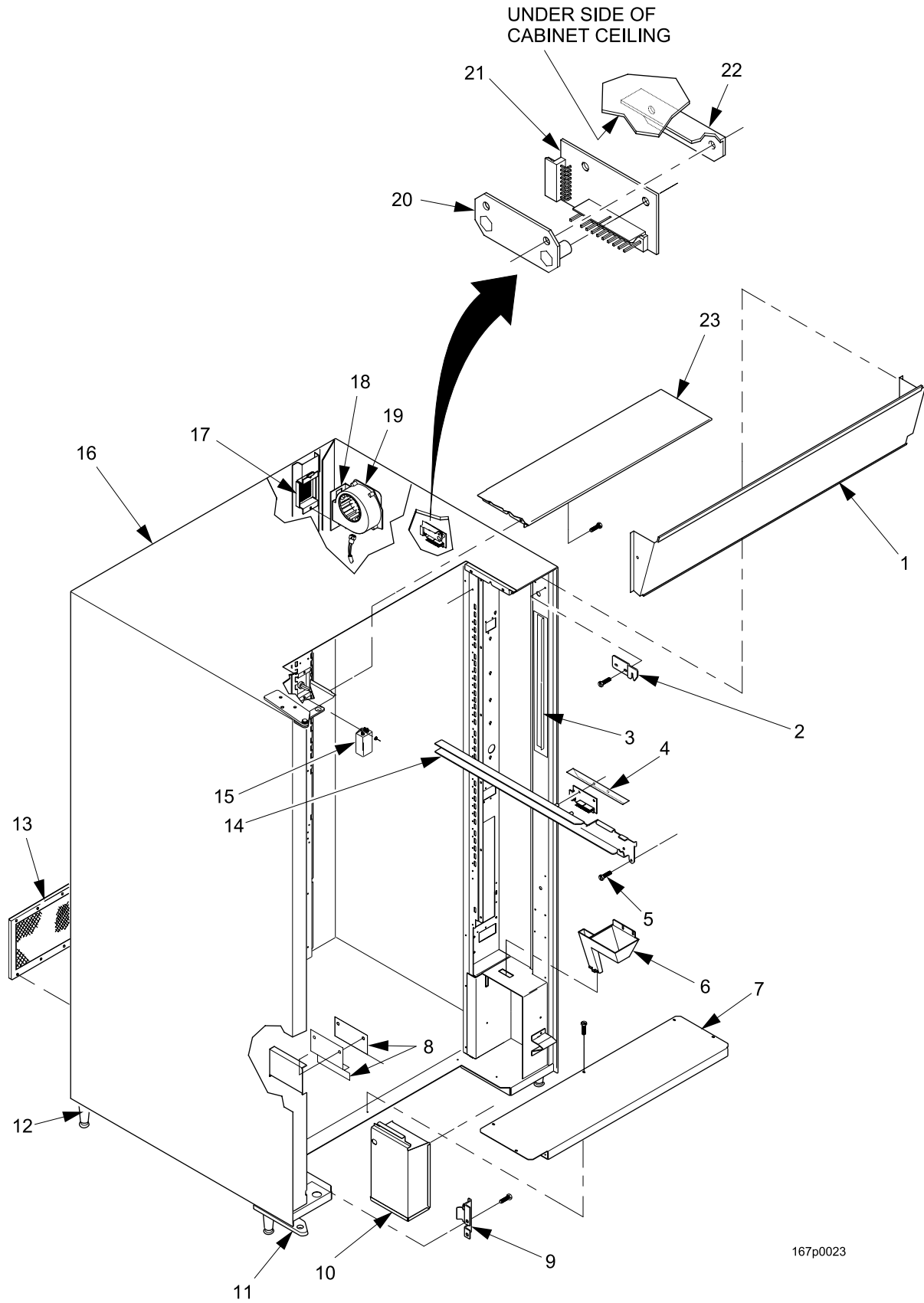
TABLE 20: CABINET LOOSE PARTS

INDEX	PART NUMBER	DESCRIPTION	QTY.
1	1471090	COVER - FAN HOLE	1
2	1596014	PCB ASSEMBLY - TRAY	1
3	1571074	LOCK ARM - CABINET	2
4	1571022	STOP - MONETARY PANEL	1
5	6231242	CHUTE - PAYOUT	1
6	1571029	MONEY BOX ASSEMBLY	1
7	1571179	TRAY GUIDE RAIL - W/STANDOFFS	1
8	1471065	BRACKET - MOUNTING - POWER CORD	1
--	9989841	POWER CORD 18AWG - DOMESTIC - 90D PLUG (NOT SHOWN)	1
	9989697	POWER CORD - CHILE/ITALY (NOT SHOWN)	
	9989577	POWER CORD - EURO PLUG (NOT SHOWN)	
	9989560	POWER CORD - AUSTRALIA / NEW ZEALAND (NOT SHOWN)	
	9984246	POWER CORD - JAPAN (NOT SHOWN)	
	9989576	POWER CORD - W/BSI PLUG (NOT SHOWN)	
	9989732	POWER CORD - W/O CORD CAP (NOT SHOWN)	

This Page Intentionally Left Blank

TABLE 21: CABINET INSULATION FOR CHILLED SNACK OR CHILLED RC-2

PART NUMBER	DESCRIPTION	QTY
U.S. MODELS		
4641081	INSULATION - CABINET TOP - 38" - BLACK (764)	1
4531003	INSULATION - CABINET TOP - 32" - BLACK (458)	
4641056	INSULATION - CABINET TOP - 32" - BLACK (764 765 787)	
4641055	INSULATION - RIGHT HAND SIDE PIECE - BLACK	1
4911005	INSULATION - LEFT HAND SIDE - FULL - BLACK	1
4641068	INSULATION - CABINET BACK 32" - BLACK	1
4641058	INSULATION - CABINET BACK 38" BLACK (764) (765)	
INTERNATIONAL MODELS		
4641081	INSULATION - CABINET TOP - 38"- BLACK (457 764)	1
4641056	INSULATION - CABINET TOP - 32" - BLACK (458 765 787)	
4521016	INSULATION - CABINET TOP - 38" - (457)	1
4641055	INSULATION - RIGHT HAND SIDE PIECE - BLACK	1
4911005	INSULATION - LEFT HAND SIDE - FULL - BLACK	1
4641058	INSULATION - CABINET BACK - 38" - BLACK (458 764)	1
4641068	INSULATION - CABINET BACK - 32" - BLACK (458 765 787)	1
COVER & AIR DUCT ASSEMBLY - INTERNATIONAL (4911004)		
4611007	SHUTTER - AIR DUCT	12
4641025	COVER - AIR DUCT - BLACK	2
4644034	GASKET - AIR DUCT	2
4641059	EXTENSION - AIR DUCT - WHITE	1
4641054	INSULATION - AIR DUCT RIGHT HAND SIDE - BLACK	1
ADDITIONAL INSULATION FOR TROPICAL MODELS		
4641043	INSULATION - TOP - CHANNEL (MODEL 764 ONLY)	1
4651012	INSULATION - TOP - CHANNEL (MODELS 765 AND 787)	
4641031	INSULATION - TOP FRONT - RIGHT	1
4641033	INSULATION - TOP FRONT - CENTER (MODEL 764 ONLY)	1
4651011	INSULATION - TOP FRONT - CENTER (MODELS 765 AND 787)	
4641032	INSULATION - TOP FRONT - LEFT	1
MOUNTING HARDWARE		
4981001	ANGLE - INSULATION - REAR	-
4621003	RETAINER - TOP INSULATION	-

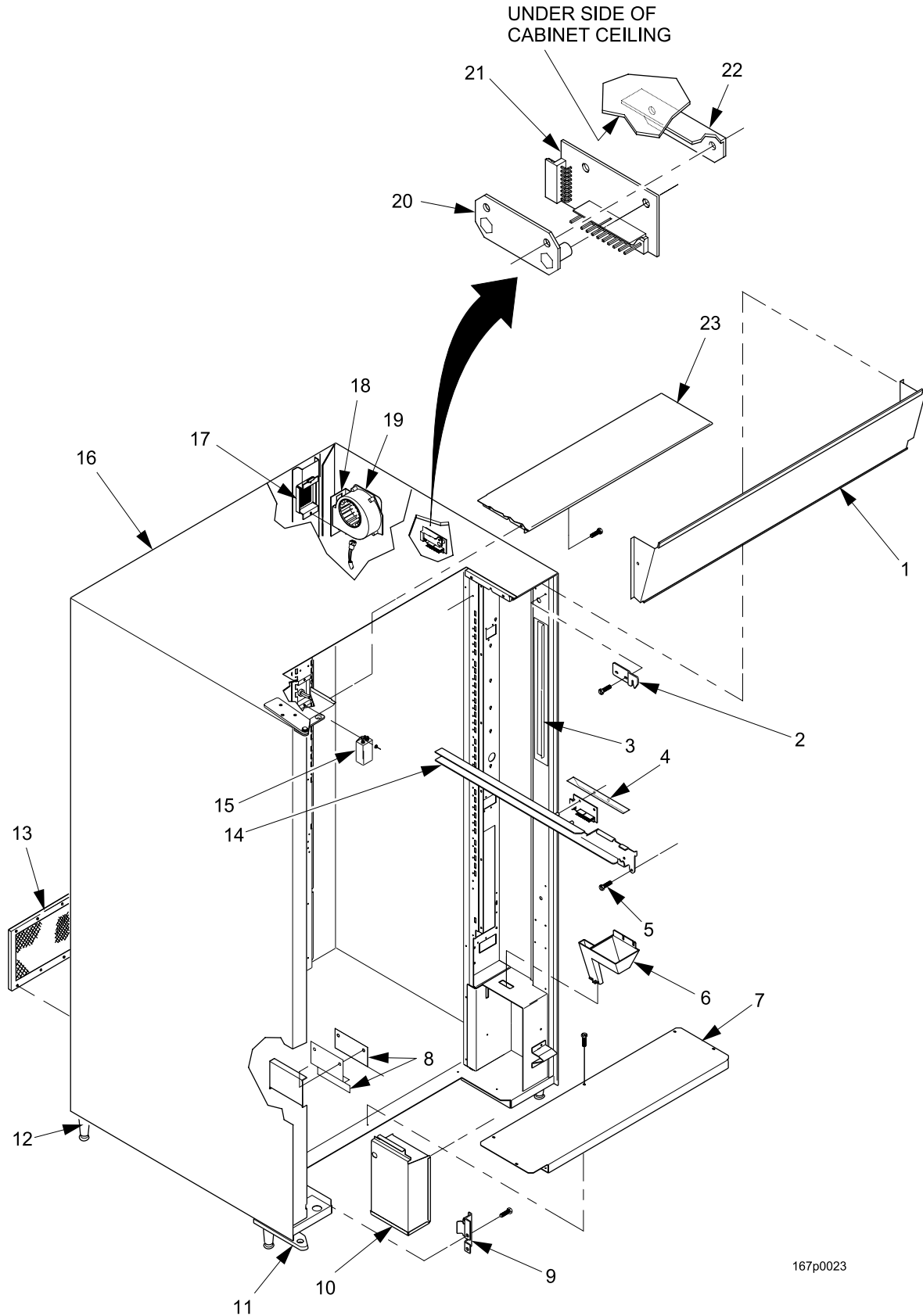


167p0023

FIGURE 22: COMMON CABINET

TABLE 22: COMMON CABINET

INDEX	PART NUMBER	DESCRIPTION	QTY.
1	1571102	PANEL - FILLER (167 764)	1
	1581024	PANEL - FILLER (168 765)	
2	1571074	LOCK ARM - CABINET	2
3	1571022	STOP - MONETARY PANEL	2
4	1571250	SHIELD - TRAY RAIL/PCB	OPT.
5	1451097	SCREW - #8-32X.31 HEX HD.TF-BLK.	--
6	6231242	CHUTE - PAYOUT	1
7	1571187	BASE FILLER ASSEMBLY - NV BLACK (167 764 -IMPERIAL CROWN SIGNATURE & MILLENNIA BLACK)	1
	1571232	BASE FILLER ASSEMBLY - MIR BLACK (764)	
	1571190	BASE FILLER ASSEMBLY - MILL. GRAY (167 764 -MILLENNIA GRAY)	
	1671043	BASE FILLER ASSEMBLY - NV YELLOW (167)	
	1581057	BASE FILLER ASSEMBLY - NV BLACK (168 765 784 787)	
	1581080	BASE FILLER ASSEMBLY - MIR BLACK (765 787)	
	1581060	BASE FILLER ASSEMBLY - MILL GRAY (168 765 784 787)	
4871011	BASE FILLER ASSEMBLY - SELECTA WHITE (168 765 784 787)		
8	1571123	DEFLECTOR - LARGE SNACK (167 457 764)	1
	1581039	DEFLECTOR ASSEMBLY - SMALL SNACK (168 765 784)	
9	1571090	PLATE ASSEMBLY - DOOR CHECK	1
10	1571029	MONEY BOX ASSEMBLY	1
11	6231163	LEG HINGE & LEVELER ASSEMBLY (SEE TABLE 23 FOR DETAILS)	1
12	1471237	LEG & LEVELER ASSEMBLY - CABINET (SEE TABLE 23 FOR DETAILS)	3
13	4521021	SCREEN ASSEMBLY - VENT (764 765 784 787)	1
14	1571179	TRAY GUIDE RAIL - W/STANDOFFS (167 168 764 765) (RIGHT HAND SIDE ALL EXCEPT TOP TRAY)	OPT.
15	9989110	FILTER - POWER LINE - EMI	1
16	1571200	CABINET WELD ASSEMBLY - N.V. BLACK (167 764)	1
	1571230	CABINET WELD ASSEMBLY - MIR BLACK (764)	
	1571201	CABINET WELD ASSEMBLY - MILL.GRAY (167 764)	
	1571239	CABINET WELD ASSEMBLY - SELECTA WHITE (167 764)	
	1671045	CABINET WELD ASSEMBLY - SPECIALTY (167)	
	1581068	CABINET WELD ASSEMBLY - N.V.BLACK (168 765 784 787)	
	1581081	CABINET WELD ASSEMBLY - MIR BLACK (765 787)	
	1581069	CABINET WELD ASSEMBLY - MILL.GRAY (168 765 784 787)	
4871009	CABINET WELD ASSEMBLY - SELECTA WHITE (168 765 784 787)		



167p0023

FIGURE 22: COMMON CABINET (CONTINUED)

TABLE 22: COMMON CABINET (CONTINUED)

INDEX	PART NUMBER	DESCRIPTION	QTY.
17	1471054	BRACKET & SCREEN ASSEMBLY - EXHAUST	OPT
	1471090	COVER - FAN HOLE (NO FAN OPTION ONLY)	
18	1471398	BRACKET - EXHAUST FAN	OPT
19	6331073	BLOWER ASSEMBLY - 120V (167 168 784)	OPT.
	6331074	BLOWER ASSEMBLY - 230V (167 168 784)	
20	1571175	PLATE - PCB RAIL - MOUNTING (TOP TRAY PCB ONLY)	1
21	1596014	PCB ASSEMBLY - TRAY	OPT.
22	1571120	CHANNEL - STIFFENER - CABINET BACK	
23	1571186	TOP FILLER ASSEMBLY - NV BLACK (167 457 764)	1
	1571231	TOP FILLER ASSEMBLY - MIR BLACK (764)	
	1571189	TOP FILLER ASSEMBLY - MILL. GRAY (167 457 764)	
	1571227	TOP FILLER ASSEMBLY - SELECTA WHITE (167 764)	
	1581056	TOP FILLER ASSEMBLY - NV BLACK (168 458 765 784 787)	
	1581079	TOP FILLER ASSEMBLY - MIR BLACK (765 787)	
	1581059	TOP FILLER ASSEMBLY - MILL. GRAY (168 458 765 784 787)	
	4871010	TOP FILLER ASSEMBLY - SELECTA WHITE (168 765 784 787)	
--	1571181	TRAY GUIDE RAIL ASSEMBLY - LEFT HAND (NOT SHOWN)	7
--	1571235	TRAY GUIDE RAIL ASSEMBLY - RIGHT HAND (NOT SHOWN)	6
--	1571236	TRAY GUIDE RAIL ASSEMBLY - RIGHT HAND (BOTTOM TRAY) (NOT SHOWN)	1

TABLE 22A: BLUE CABINET OPTION

PART NUMBER	DESCRIPTION	QTY.
1670935	MILLENNIA STYLE - BLACK PANELS - BLUE CABINET (167)	1
1671054	CABINET ASSEMBLY - BLUE (167)	1
1671055	TOP FILLER ASSEMBLY - BLUE (167)	1
1671056	BASE FILLER ASSEMBLY - BLUE (167)	1
1680705	MILLENNIA STYLE - BLACK PANELS - BLUE CABINET (168)	1
1681076	CABINET ASSEMBLY - BLUE (168)	1
1681077	TOP FILLER ASSEMBLY - BLUE (168)	1
1681078	BASE FILLER ASSEMBLY - BLUE (168)	1

Note: The blue cabinet option requires a minimum quantity purchase and entails a per-machine upcharge over our standard cabinet options. Please contact CMS Parts at 1-800-621-7278 for details.

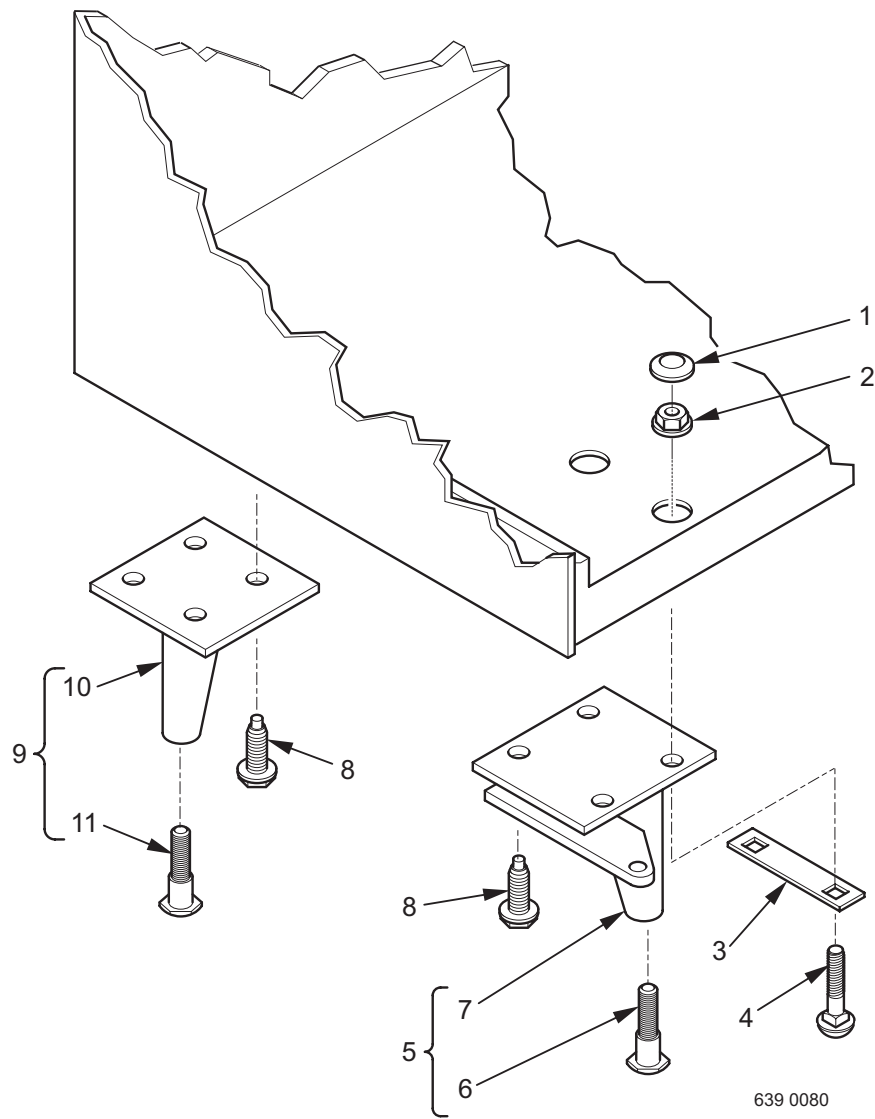


FIGURE 23: LEG LEVELER AND LEG AND HINGE ASSEMBLIES

TABLE 23: LEG LEVELER AND LEG AND HINGE ASSEMBLIES

INDEX	PART NUMBER	DESCRIPTION	QTY.
1	6231034	PLUG - HOLE (NOT USED IN ALL APPLICATIONS)	2
2	1172021	NUT - 1/4-20 WHIZ-LOCK	2
3	6231203	PLATE - HINGE LEG BOLT	1
4	1211112	TRAY BOLT	2
5	6231163	LEG HINGE AND LEVELER ASSEMBLY	1
6	1471098	LEVELER - CABINET	1
7	1571115	LEG AND HINGE ASSEMBLY	1
8	9900218	SCREW - # 5/16 X 1 W/LOCKING RING	14
9	1471237	LEG AND LEVELER ASSEMBLY - CABINET	3
10	4311068	LEG ASSEMBLY - CABINET	1
11	1471098	LEVELER - CABINET - 9/16 X 18UNF	1

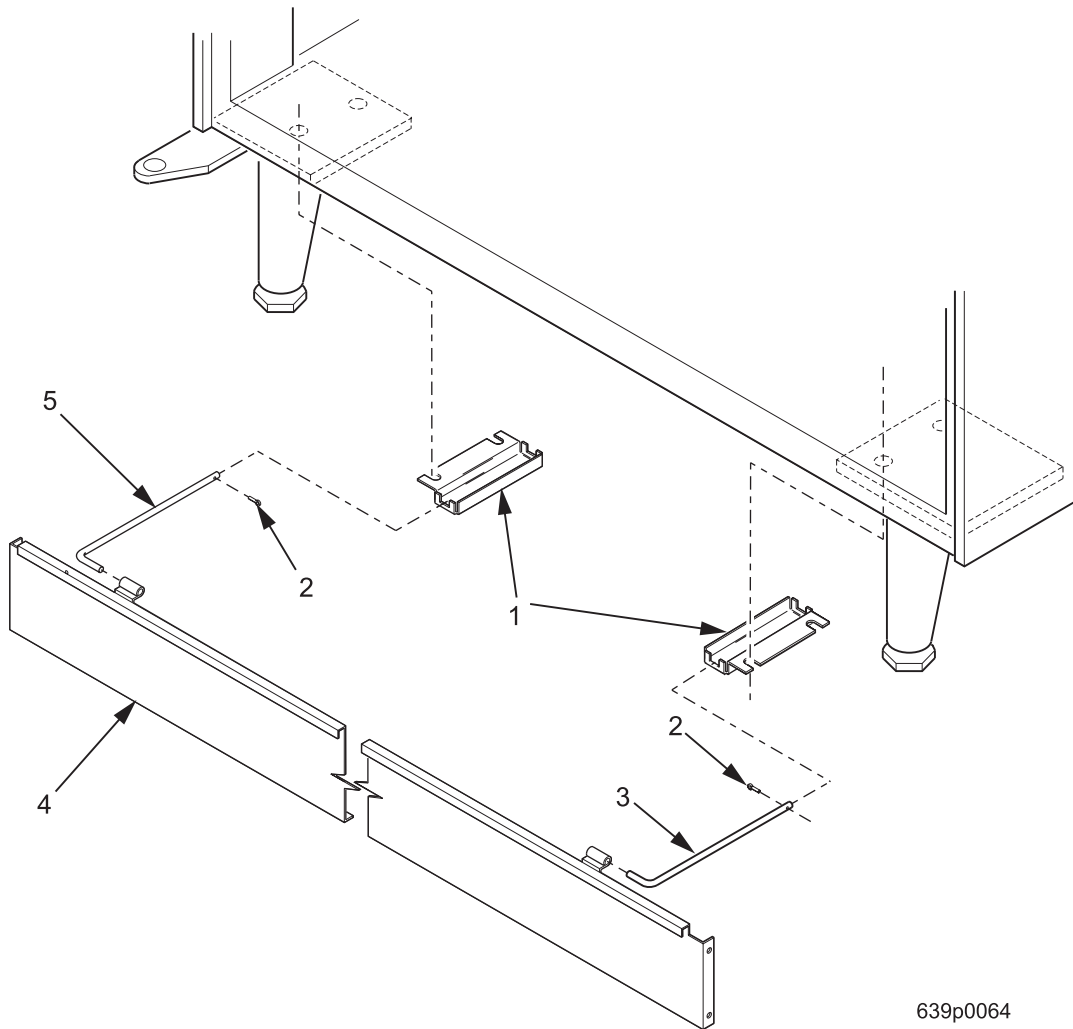


FIGURE 24: MILLENNIA BASE PLATE ASSEMBLY (STANDARD SHOWN)

TABLE 24: MILLENNIA BASE PLATE ASSEMBLY (STANDARD SHOWN)

INDEX	PART NUMBER	DESCRIPTION	QTY
1	6231087	BRACKET - BASE PLATE	2
2	9900098	COTTER PIN 3/32	2
3	1411195	SLIDE - BASE PLATE - LEFT	1
4	1571161	BASE PLATE ASSEMBLY - 38" - MILLENNIA (167 764)	1
	2271408	BASE PLATE ASSEMBLY - 38" - NV BLACK (167 457 764)	
	1581050	BASE PLATE ASSEMBLY - 32" - MILLENNIA (168 765 784 787)	
	1581023	BASE PLATE ASSEMBLY - 32" - NV BLACK (168 458 765 784 787)	
5	1411194	SLIDE - BASE PLATE - RIGHT	1

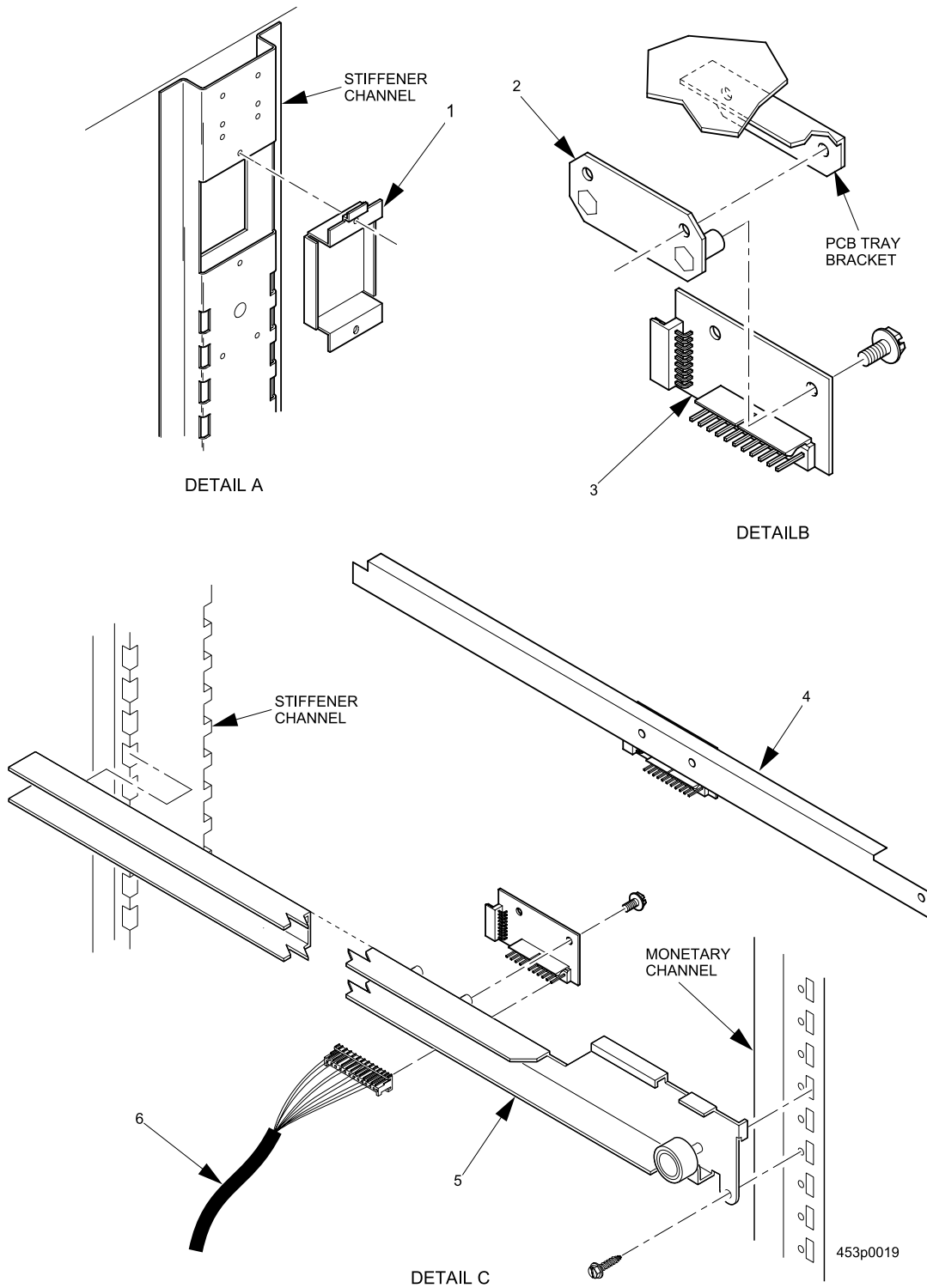
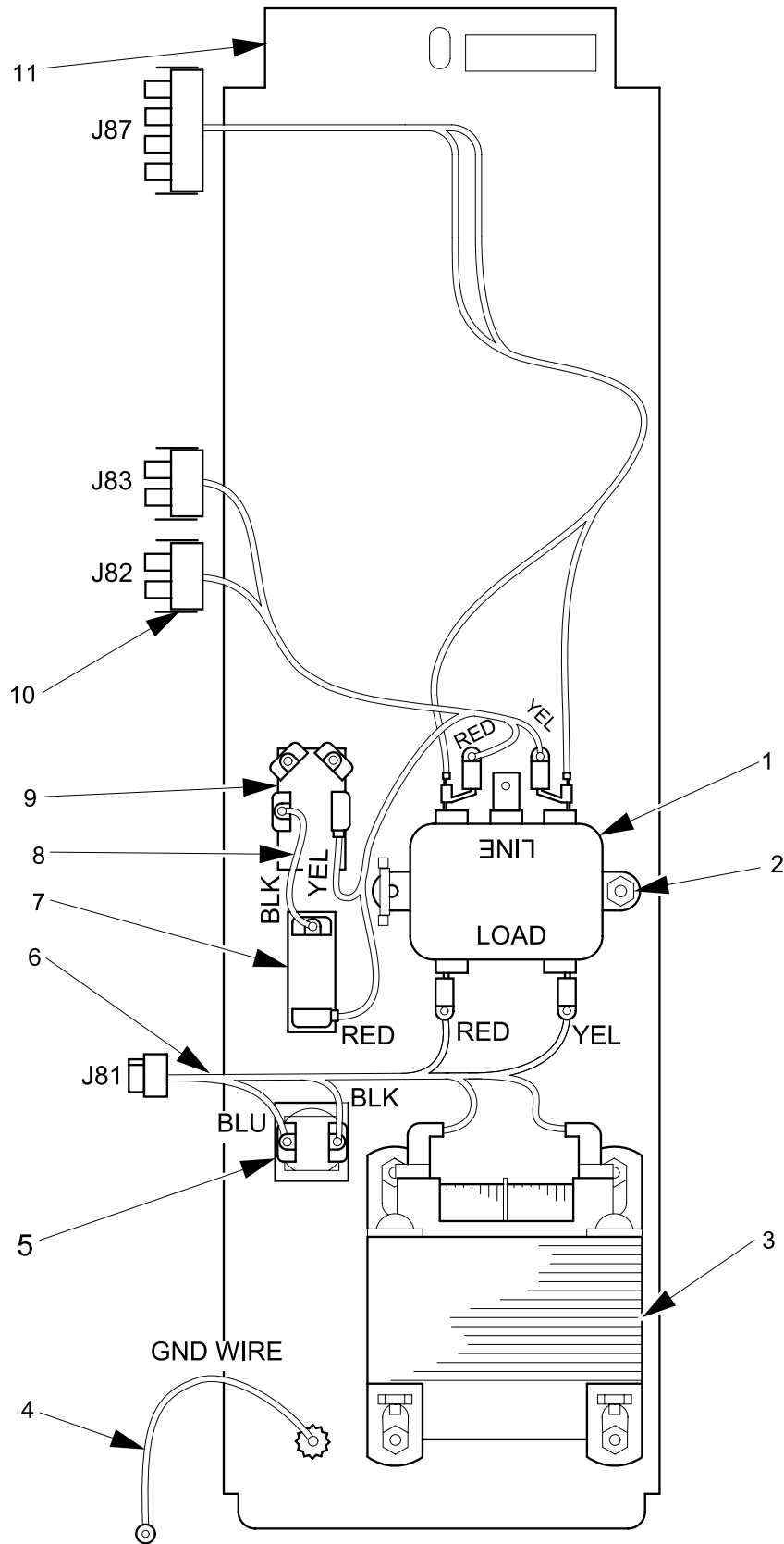


FIGURE 25: CABINET DETAILS 28" DEEP MACHINE

TABLE 25: CABINET DETAILS 28" DEEP MACHINE

INDEX	PART NUMBER	DESCRIPTION	QTY.
1	1471090	COVER - FAN HOLE	1
2	1571175	PLATE - PCB RAIL MOUNTING	1
3	1596014	PCB ASSEMBLY - TRAY	1
4	1701009	TRAY GUIDE RAIL/PCB ASSEMBLY - RIGHT HAND	5
5	1701005	TRAY GUIDE RAIL ASSEMBLY - RIGHT HAND	1
--	1701006	TRAY GUIDE RAIL ASSEMBLY - LEFT HAND (NOT SHOWN)	6
6	1709018	HARNESS - TRAY EXTENSION (ACCESSORY)	OPT.



167p0083

FIGURE 26: POWER PANEL ASSEMBLY - DOMESTIC (120V)

TABLE 26: POWER PANEL ASSEMBLY - DOMESTIC (120V)

INDEX	PART NUMBER	DESCRIPTION	QTY.
--	1701015	POWER PANEL ASSEMBLY - DOMESTIC (167 168 764 765 784)	1
1	9989100	INTERFERENCE FILTER	1
2	9900081	NUT #8-32 KEPS ZINC PLATE	8
3	9989046	24V XFMR - DUAL PIR.-.187 TERM.	1
4	9984094	WIRE - GROUND - 14"	1
5	9989674	CIRCUIT BREAKER - 4 AMP	1
6	1709001	JUMPER - TRANSFORMER - 120V-PRM.	1
7	9989672	BREAKER - 15 AMP	1
8	1709006	JUMPER - MAIN SWITCH TO BREAKER	1
9	9984629	SWITCH - TOGGLE - DPST - 20AMP	1
10	1679055	HARNESS - POWER PANEL	1
11	1701025	PLATE - HOUSING - PANEL (CP7-7)	1

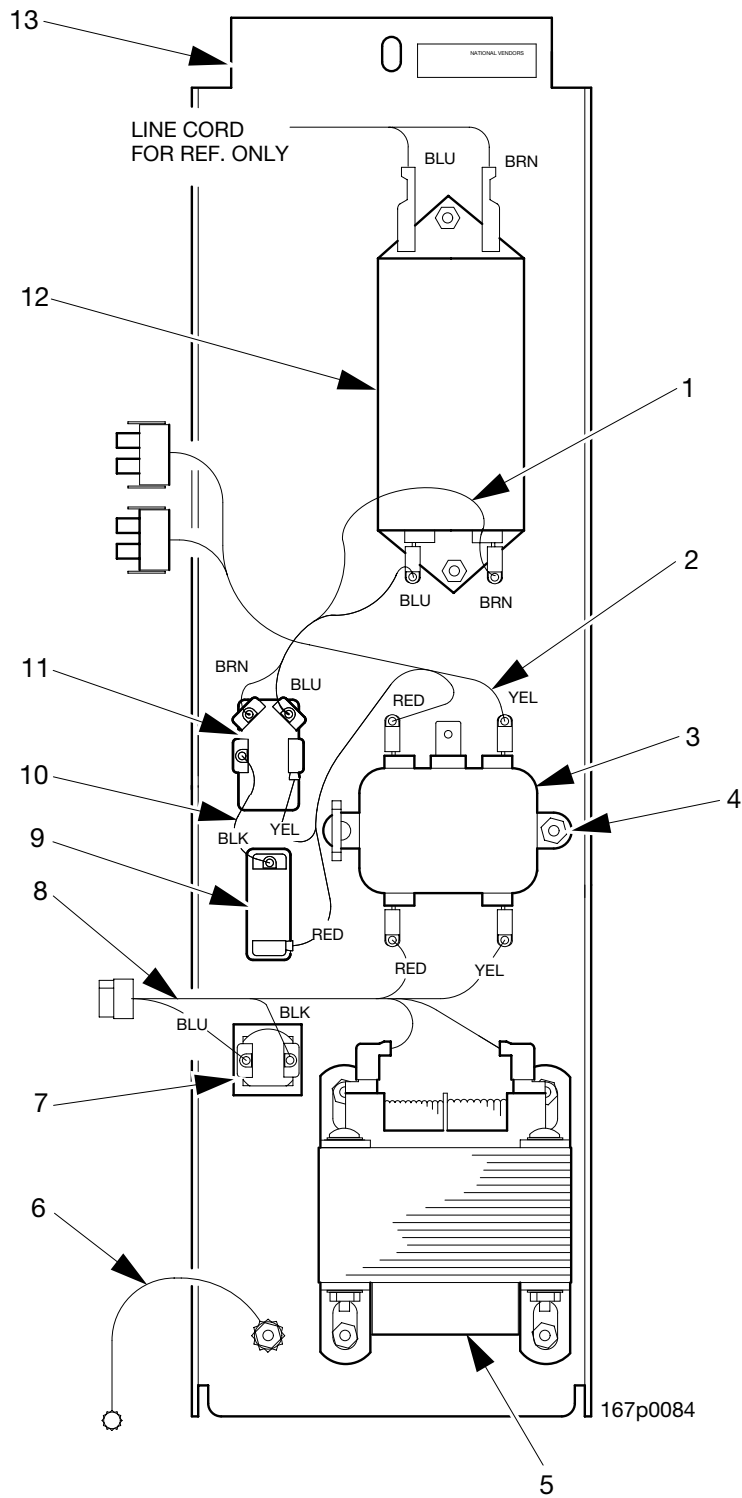
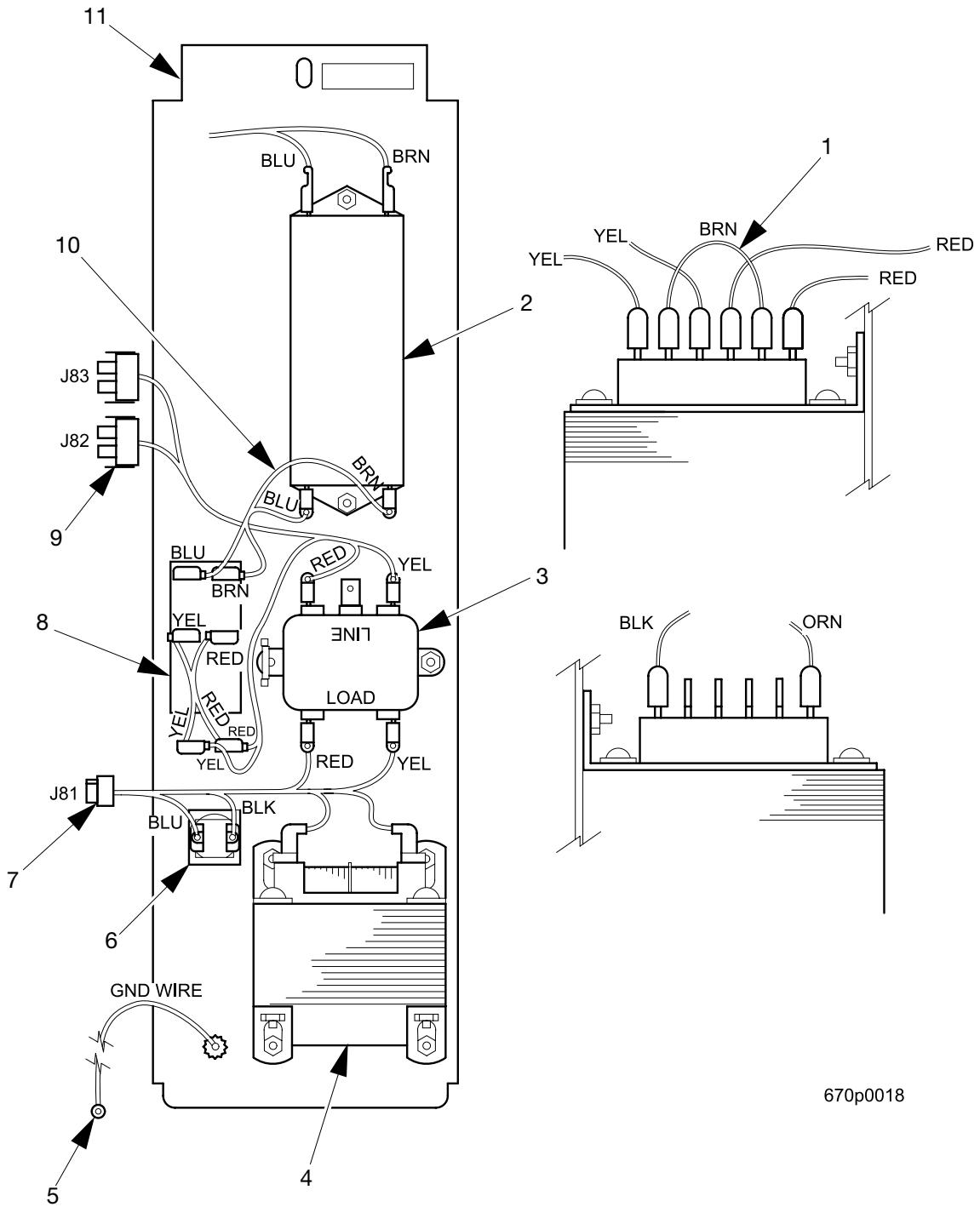


FIGURE 27: POWER PANEL ASSEMBLY - MODELS 167 168 457 458 - U.K. - 230 V

TABLE 27: POWER PANEL ASSEMBLY - MODELS 167 168 457 458 - U.K. - 230 V

INDEX	PART NUMBER	DESCRIPTION	QTY
--	4521020	POWER PANEL ASSEMBLY - U.K. - 230V (167 168 457 458 764 765 784 787)	--
1	6849015	JUMPER - POWER SW	1
2	1679055	HARNESS - POWER PANEL	1
3	9989100	INTERFERENCE FILTER	1
4	9900081	NUT #8-32 KEPS ZINC PLATE	8
5	9989046	TRANSFORMER - 24V - DUAL PIR. - .187 TERM.	1
6	9984094	WIRE - GROUND - 14"	1
7	9989674	CIRCUIT BREAKER - 4 AMP	1
8	1709001	JUMPER - TRANSFORMER - FOREIGN	1
9	9989672	CIRCUIT BREAKER - 15 AMP	1
10	1709006	JUMPER - MAIN SWITCH TO BREAKER	1
11	9984629	SWITCH - TOGGLE - DPST - 20 AMP	1
12	9989110	FILTER - POWER LINE - EMI	1
13	1701025	PLATE - HOUSING - PANEL (CP7-7)	1



670p0018

FIGURE 28: POWER PANEL ASSEMBLY - 230 V - FRANCE / GERMANY

TABLE 28: POWER PANEL ASSEMBLY - 230 V - FRANCE / GERMANY

INDEX	PART NUMBER	DESCRIPTION	QTY
--	4521041	POWER PANEL ASSEMBLY - 230V FR/GER (167 457 458 764 765 787)	--
1	4279001	JUMPER - 230V - XFMR PRI	1
2	9989110	FILTER - POWER LINE - EMI	1
3	9989100	INTERFERENCE FILTER	1
4	9989046	24V XFMR-DUAL PIR.-.187 TERM	1
5	9984094	WIRE - GROUND - 14"	1
6	9989674	CIRCUIT BREAKER - 4 AMP	1
7	1709001	JUMPER - TRANSFORMER - FOREIGN	1
8	9984627	CIRCUIT BREAKER/SWITCH - 16 AMP	1
9	1679055	HARNESS - POWER PANEL	1
10	6849015	JUMPER - POWER SW	1
11	4521036	PLATE - HOUSING - PANEL - FR/GER.	1

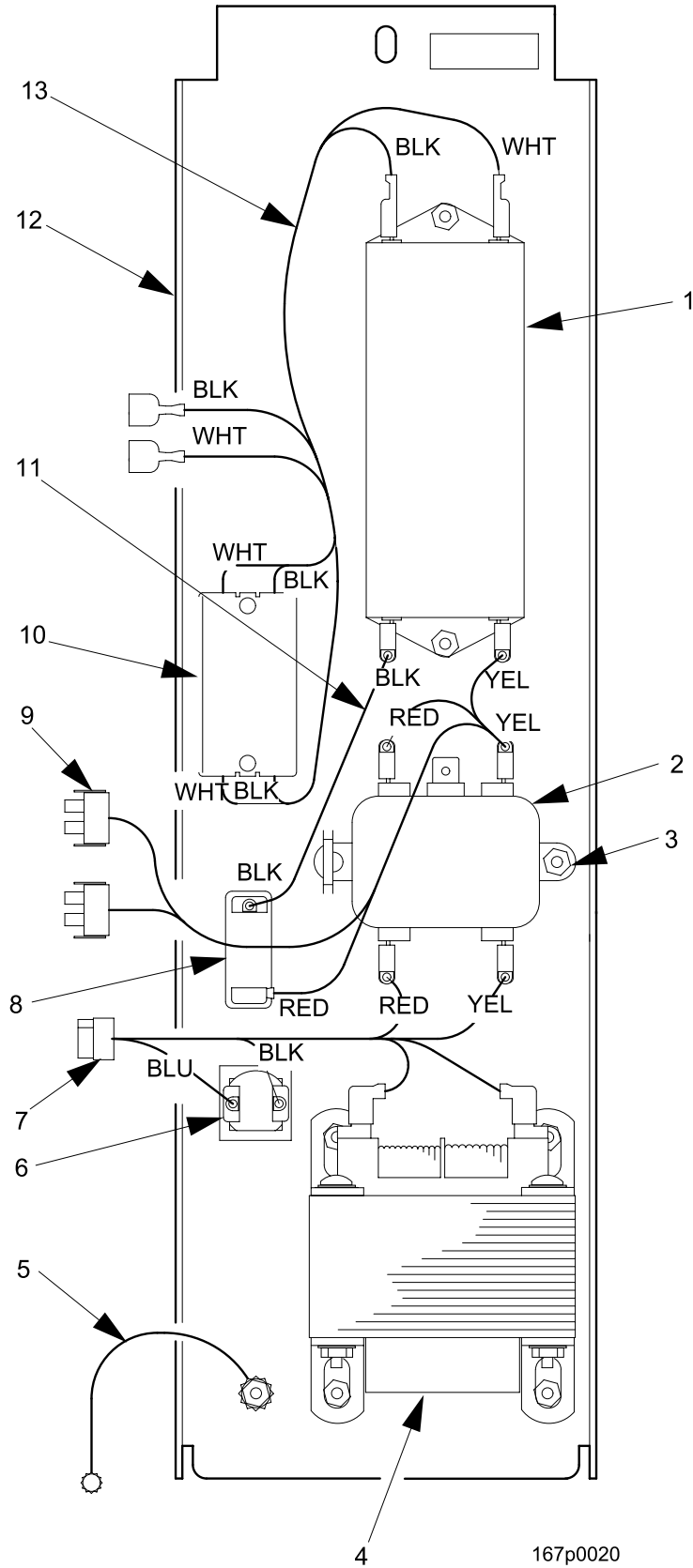


FIGURE 29: POWER PANEL ASSEMBLY - 100V-50/60HZ (JAPAN)

TABLE 29: POWER PANEL ASSEMBLY - 100V-50/60HZ (JAPAN)

INDEX	PART NUMBER	DESCRIPTION	QTY
--	1571203	POWER PANEL ASSEMBLY - 100V-50/60HZ (JAPAN) (168 764 765 784)	--
1	9989110	FILTER - POWER LINE - EMI	1
2	9989100	INTERFERENCE FILTER	1
3	9900081	NUT #8-32 KEPS ZINC PLATE	10
4	9989046	24V XFMR - DUAL PIR. - .187 TERM.	1
5	9984094	WIRE - GROUND - 14"	1
6	9989674	CIRCUIT BREAKER - 4 AMP	1
7	1709001	JUMPER - TRANSFORMER - 120V - PRM.	1
8	9989672	BREAKER - 15 AMP	1
9	1679055	HARNESS - POWER PANEL	1
10	9989529	LEAKAGE CURRENT BREAKER	1
11	'1709006	JUMPER - MAIN SWITCH TO BREAKER	1
12	1571204	PLATE - HOUSING - PANEL - JAPANESE	1
13	1579051	JUMPER - GFI & FILTER	1

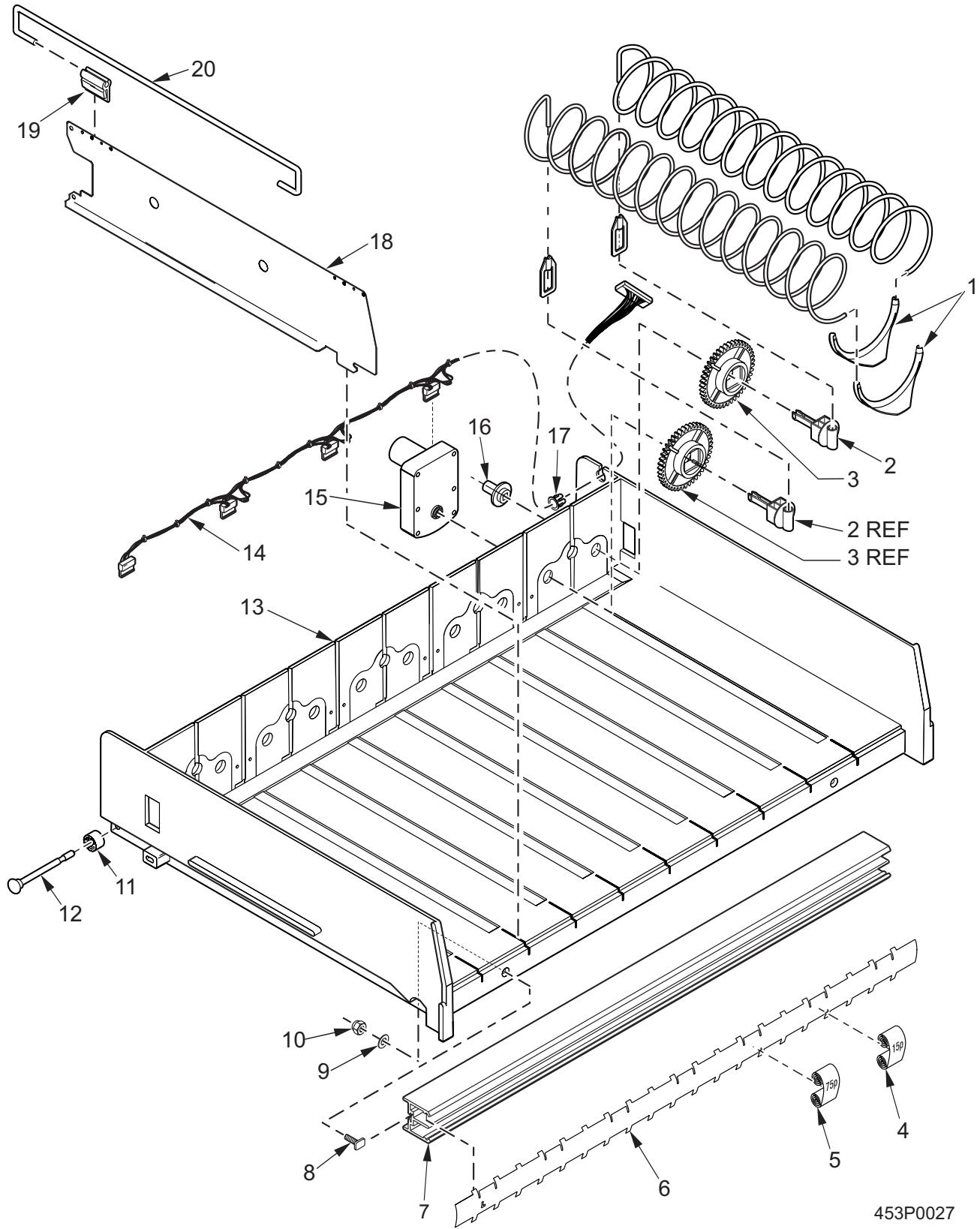


FIGURE 30: SNACK TRAY ASSEMBLY 28" DEEP MACHINE

TABLE 30: SNACK TRAY ASSEMBLY 28" DEEP MACHINE

INDEX	PART NUMBER	DESCRIPTION	QTY	
--	4537000	SNACK TRAY ASSEMBLY - 4 SNACK (458)	4 SNACK	5 SNACK
	4580853	SNACK TRAY ASSEMBLY - 4 SNACK - UK (458)		
	4580855	SNACK TRAY ASSEMBLY - 4 SNACK - INT'L (458)		
--	4527000	SNACK TRAY ASSEMBLY - 5 SNACK (457)		
	4570853	SNACK TRAY ASSEMBLY - 5 SNACK - UK (457)		
	4570855	SNACK TRAY ASSEMBLY - 5 SNACK - INT'L (457)		
1	1477074	PUSHER - PRODUCT (457 458)	10	10
2	--	COUPLING - SPIRAL (457 458) (SEE TABLE 41B FOR DETAILS)	8	10
3	1477020	GEAR - TRAY (457 458)	8	10
4	--	PRICE ROLLS (SEE TABLE 41A FOR DETAILS)	4	5
5	--	PRICE ROLLS (SEE TABLE 41A FOR DETAILS)	4	5
6	1487016	HOLDER - PRICE SELECTION (457 458)	1	
	1477157	HOLDER - PRICE SELECTION (457 458)	--	1
7	1487009	RAIL - PRICE & SELECTION (457 458)	1	--
	1477134	RAIL - PRICE & SELECTION (457 458)	--	1
8	2222031	TEE BOLT - TRIM (457 458)	2	3
9	5560113	WASHER - HOPPER RELEASE (457 458)	2	3
10	9900030	NUT #8-32 SELF LOCKING (457 458)	2	3
11	1477148	ROLLER - TRAY (457 458)	2	2
12	1477097	AXLE - TRAY ROLLER (457 458)	2	2
13	1717001	TRAY - 4/8 DIVISION (458)	1	--
	1707001	TRAY - 5/10 DIVISION (457)	--	1
14	1709011	HARNESS - 4 MOTOR TRAY - 28" (458)	1	--
	1709012	HARNESS - 5 MOTOR TRAY - 28" (457)	--	1
15	1577038	MOTOR & PCB BOARD ASSEMBLY (457 458)	4	5
16	1477022	BEARING - COUPLER (457 458)	4	5
17	9989821	BUSHING - 0.512 DIAMETER (457 458)	1	1
18	1707062	WALL - TRAY (457 458)	3	4
19	1707030	MOUNT - PRODUCT RETAINER (457 458)	4	4
20	1707063	RETAINER - PRODUCT ADJUSTABLE (457 458)	2	2

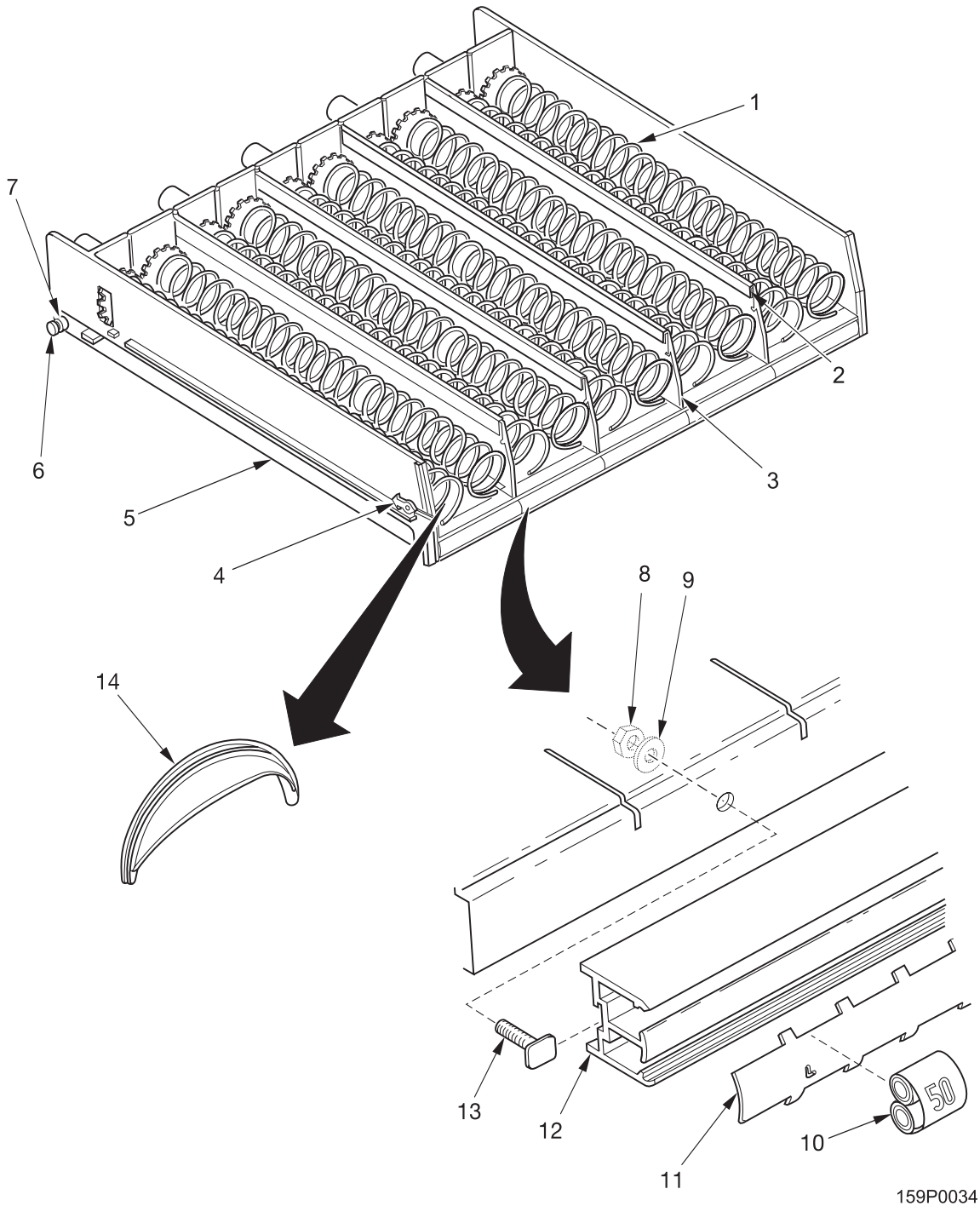


FIGURE 31: SNACK TRAY ASSEMBLY 35" DEEP MACHINE

TABLE 31: SNACK TRAY ASSEMBLY 35" DEEP MACHINE

INDEX	PART NUMBER	DESCRIPTION	QTY			
--	1607001	SNACK TRAY ASSEMBLY - 4 SNACK (168 765 784 787)	4 SNACK	5 SNACK		
	1480811	SNACK TRAY ASSEMBLY - 4 SNACK (168 765)				
	1680846	SNACK TRAY ASSEMBLY - 4 SNACK - CHILE (168)				
	1687005	SNACK TRAY ASSEMBLY - AVS - 4 SNACK (168 765)				
	1680713	SNACK TRAY ASSEMBLY - AVS - 4 SNACK (168 765)				
--	1597001	SNACK TRAY ASSEMBLY - 5 SNACK (167 764)				
	1470811	SNACK TRAY ASSEMBLY - 5 SNACK (167 764)				
	1597009	SNACK TRAY ASSEMBLY - AVS - 5 SNACK (167 764)				
	7640852	SNACK TRAY ASSEMBLY - AVS - 5 SNACK (167 764)				
1	--	SPIRAL AND RETAINER ASSEMBLY (167 168 764 765 784 787) (SEE TABLE 41C FOR DETAILS)			--	--
2	1677193	SPACER - ADJUSTABLE (167 168 764 765 784 787)			4	4
3	1477175	WALL - TRAY (167 168 764 765 784 787)			3	4
4	1477017	LATCH (167 168 764 765 784 787)			2	2
5	1587003	TRAY - 4 & 8 DIVISION (168 765)			1	--
	1577040	TRAY - 5 & 10 DIVISION (167 764)	--	1		
6	1477097	AXLE - TRAY ROLLER (167 168 764 765 784 787)	2	2		
7	1477148	ROLLER - TRAY (167 168 764 765 784 787)	2	2		
8	9900030	NUT #8-32 SELF - LOCKING (167 168 764 765 784 787)	2	3		
9	5560113	WASHER - HOPPER RELEASE (177 168 487 458 764 765 784 787)	2	3		
10	--	PRICE ROLLS (4 & 5 SNACK) (SEE TABLE 41A FOR DETAILS)	--	--		
11	1487016	HOLDER - PRICE & SELECTION (4 SNACK) (168 765 784 787)	1	--		
	1477157	HOLDER - PRICE & SELECTION (5 SNACK) (167 764)	--	1		
12	1487009	RAIL - PRICE & SELECTION (4 SNACK) (168 458 765 784 787)	1	--		
	1477134	RAIL - PRICE & SELECTION (5 SNACK) (167 177 764 457)	1	1		
13	2222031	TEE BOLT - TRIM (168 764 765 784 787)	2	3		
14	1477074	PUSHER - PRODUCT	8	10		

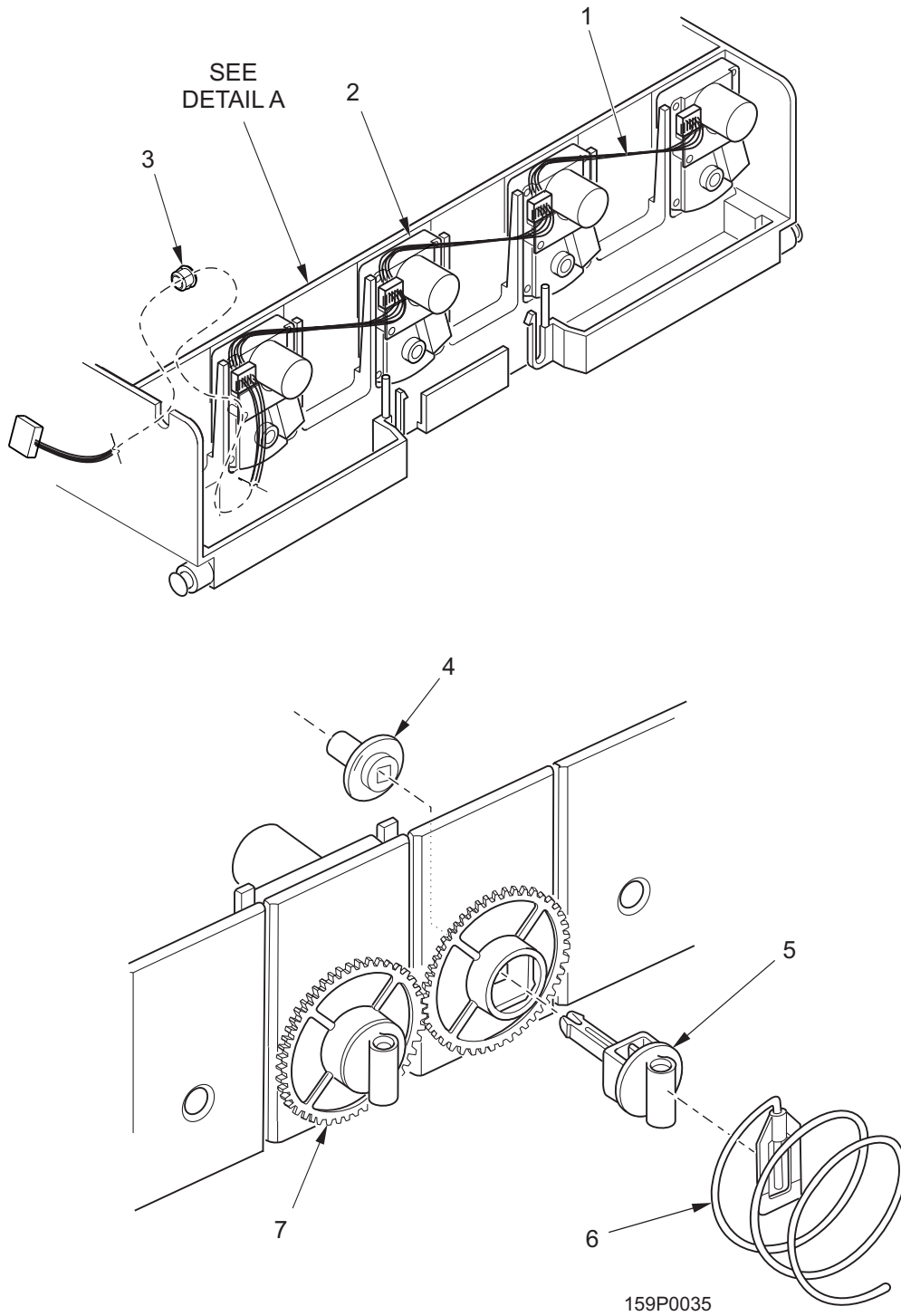


FIGURE 32: SNACK TRAY ASSEMBLY - REAR

TABLE 32A: SNACK TRAY ASSEMBLY - REAR - 4 MOTOR

INDEX	PART NUMBER	DESCRIPTION	QTY
1	1689004	HARNESS - 4 MOTOR TRAY (168 765 784 787)	1
2	1577038	MOTOR & PCB ASSEMBLY (4 MOTOR TRAY)	4
3	9989821	BUSHING - 0.512 DIAMETER	1
4	1477022	BEARING - COUPLER (4 MOTOR TRAY)	4
5	1477113	COUPLING - SPIRAL (4 MOTOR TRAY)	8
6	--	SPIRALS (SEE TABLE 41C FOR DETAILS)	--
7	1477020	GEAR - TRAY (4 MOTOR TRAY)	8

TABLE 32B: SNACK TRAY ASSEMBLY - REAR - 5 MOTOR

INDEX	PART NUMBER	DESCRIPTION	QTY
1	1679010	HARNESS - 5 MOTOR TRAY (167 764)	1
2	1577038	MOTOR & PCB ASSEMBLY (5 MOTOR TRAY)	5
3	9989821	BUSHING - 0.512 DIAMETER	1
4	1477022	BEARING - COUPLER (5 MOTOR TRAY)	5
5	1477113	COUPLING - SPIRAL (5 MOTOR TRAY)	10
6	--	SPIRALS (SEE TABLE 41C FOR DETAILS)	--
7	1477020	GEAR - TRAY (5 MOTOR TRAY)	10

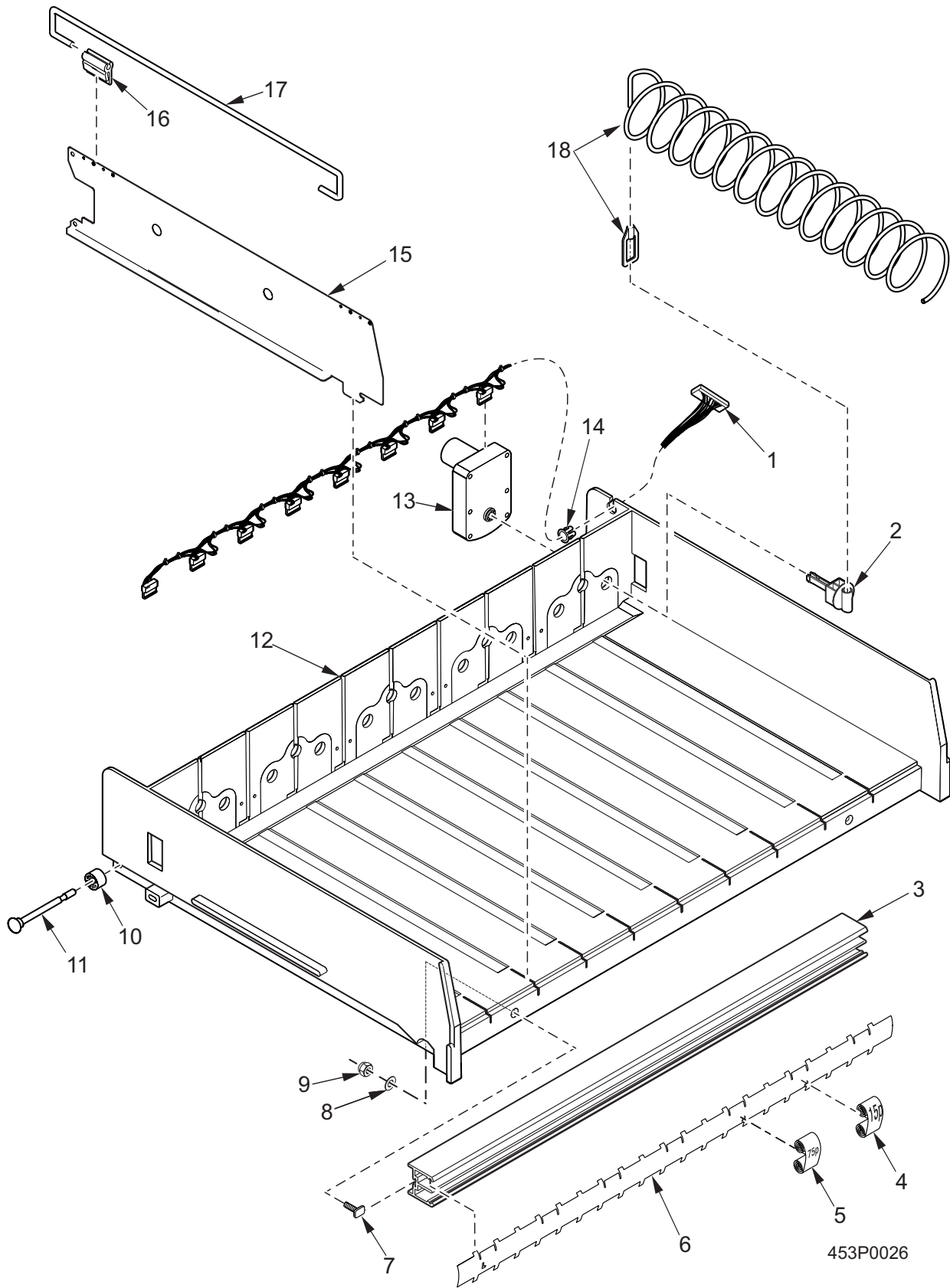


FIGURE 33: CANDY TRAY ASSEMBLY 28" DEEP MACHINE

TABLE 33: CANDY TRAY ASSEMBLY 28" DEEP MACHINE

INDEX	PART NUMBER	DESCRIPTION	QTY.	
--	4537001	CANDY TRAY ASSEMBLY - 8 MOTOR (458)	8 MOTOR	10 MOTOR
	4580854	CANDY TRAY ASSEMBLY - 8 MOTOR (458)		
	4580856	CANDY TRAY ASSEMBLY - 8 MOTOR (458)		
--	4527001	CANDY TRAY ASSEMBLY - 10 MOTOR (457)		
	4570854	CANDY TRAY ASSEMBLY - 10 MOTOR (457)		
	4570856	CANDY TRAY ASSEMBLY - 10 MOTOR (457)		
1	1709013	HARNESS - 8 MOTOR TRAY - 28" (458)	1	--
	1709014	HARNESS - 10 MOTOR TRAY - 28" (457)	--	1
2	1477113	COUPLING - SPIRAL (457 458)	8	10
3	1477134	RAIL - PRICE & SELECTION (457)	--	1
	1487009	RAIL - PRICE & SELECTION (458)	1	--
4	--	PRICE ROLLS (SEE TABLE 41A FOR DETAILS)	8	10
5	--	PRICE ROLLS (SEE TABLE 41A FOR DETAILS)	8	10
6	1477157	HOLDER - PRICE SELECTION (457)	--	1
	1487016	HOLDER - PRICE SELECTION (458)	1	--
7	2222031	TEE BOLT - TRIM (457 458)	3	3
8	5560113	WASHER HOPPER RELEASE (457 458)	3	3
9	9900030	NUT #8-32 SELF LOCKING (457 458)	3	3
10	1477148	ROLLER - TRAY (457 458)	2	2
11	1477097	AXLE - TRAY ROLLER (457 458)	2	2
12	1707001	TRAY - 5/10 DIVISION (457)	--	1
	1717001	TRAY - 4/8 DIVISION (458)	1	--
13	1577038	MOTOR & PCB ASSEMBLY (457 458)	8	10
14	9989821	BUSHING - 0.512 DIAMETER (457 458)	1	1
15	1707062	WALL - TRAY (457 458)	7	9
16	1707030	MOUNT - PRODUCT RETAINER (457 458)	7	9
17	1707063	RETAINER - PRODUCT ADJ. - BLACK (457 458)	7	9
18	--	SPIRAL ASSEMBLY (SEE TABLE 41B FOR DETAILS)	--	--

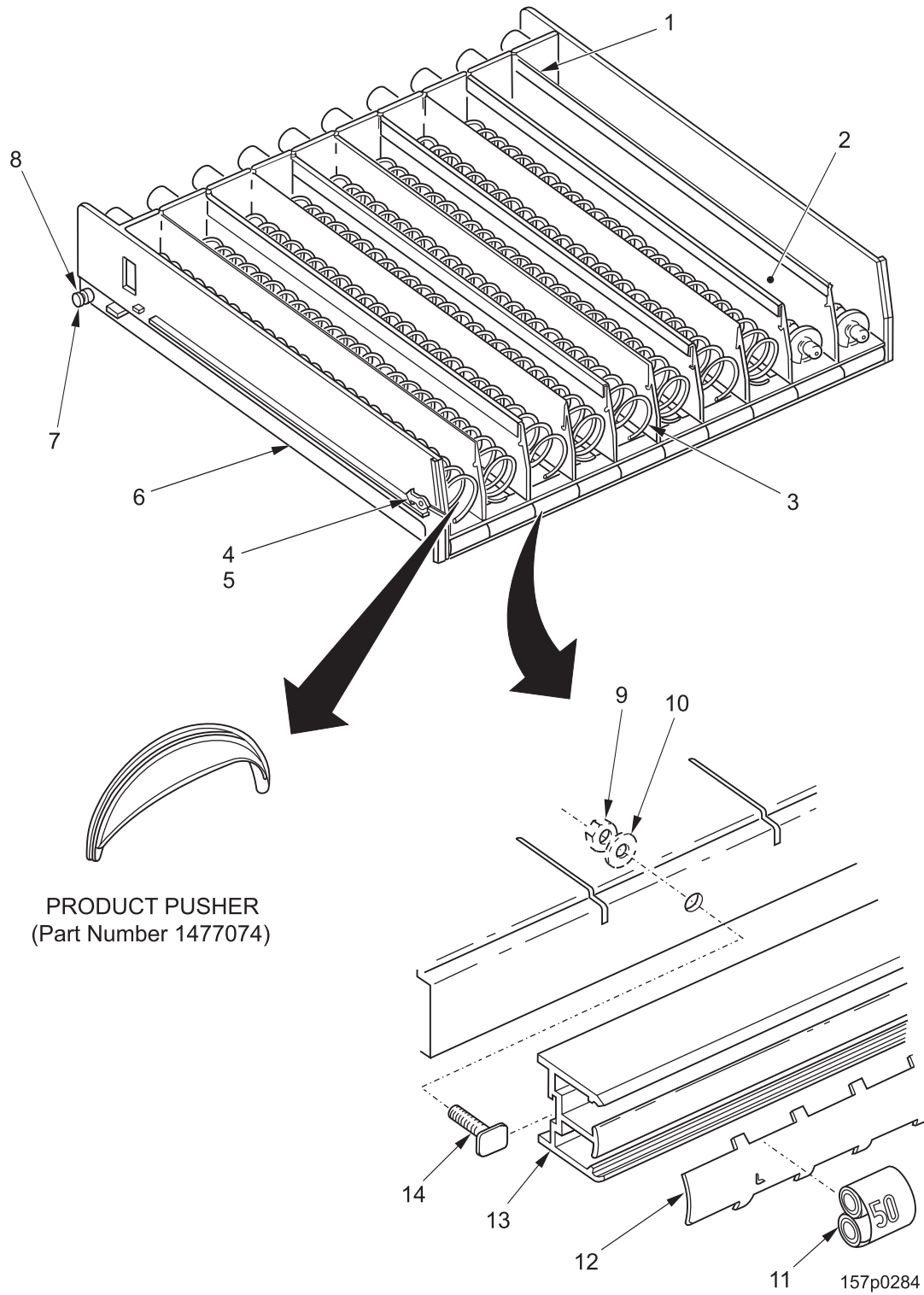


FIGURE 34: CANDY TRAY ASSEMBLY 35" DEEP MACHINE

TABLE 34: CANDY TRAY ASSEMBLY 35" DEEP MACHINE

INDEX	PART NUMBER	DESCRIPTION	QTY	
--	1607002	CANDY TRAY ASSEMBLY - 8 MOTOR	8 MOTOR	10 MOTOR
	1480812	CANDY TRAY ASSEMBLY - 8 MOTOR (168 765 784 787)		
	1687006	CANDY TRAY ASSEMBLY - AVS - 8 MOTOR (168 765)		
	1680714	CANDY TRAY ASSEMBLY - AVS - 8 MOTOR (168 765)		
	1680847	CANDY TRAY ASSEMBLY - CHILE - 8 MOTOR (168)		
	1580931	CANDY TRAY ASSEMBLY - UK - 8 MOTOR (168 765 784 787)		
	1680928	CANDY TRAY ASSEMBLY - WELLA - 8 MOTOR (168)		
--	1597002	CANDY TRAY ASSEMBLY - 10 MOTOR	8 MOTOR	10 MOTOR
	1470812	CANDY TRAY ASSEMBLY - 10 MOTOR (167 764)		
	1670874	CANDY TRAY ASSEMBLY - 6C/2S - N.Z - 10 MOTOR (167)		
	1597008	CANDY TRAY ASSEMBLY - AVS - 10 MOTOR (167 764)		
	7640851	CANDY TRAY ASSEMBLY - AVS - 10 MOTOR (167 764)		
	1570932	CANDY TRAY ASSEMBLY - U.K - 10 MOTOR (167 764)		
	1670728	CANDY TRAY ASSEMBLY - WELLA - 10 MOTOR (167)		
1	1477175	WALL - TRAY	7	9
2	1677193	SPACER - ADJUSTABLE	4	4
	4407843	SPACER - ADJUSTABLE (PAINTED) (784 787)		
3	--	SPIRALS (SEE TABLE 41C FOR DETAILS)	--	--
4	1477017	LATCH	2	2
5	5201267	PUSH-ON RETAINER - .312	2	2
6	1577040	TRAY - 5 & 10 DIVISION	--	1
	1587003	TRAY - 4 & 8 DIVISION	1	--
7	1477097	AXLE - TRAY ROLLER	2	2
8	1477148	ROLLER - TRAY	2	2
9	9900030	NUT #8-32 SELF-LOCKING (10 CANDY)	3	3
10	5560113	WASHER - HOPPER RELEASE	3	3
11	--	PRICE ROLLS (10 CANDY) (SEE TABLE 41A FOR DETAILS)	--	10
	--	PRICE ROLLS (8 CANDY) (SEE TABLE 41A FOR DETAILS)	8	--
12	1477157	HOLDER - PRICE & SELECTION (10 CANDY)	--	1
	1487016	HOLDER - PRICE & SELECTION (8 CANDY)	1	--
13	1477134	RAIL - PRICE & SELECTION (10 CANDY)	--	1
	1487009	RAIL - PRICE & SELECTION (8 CANDY)	1	--
14	2222031	TEE BOLT - TRIM	3	3

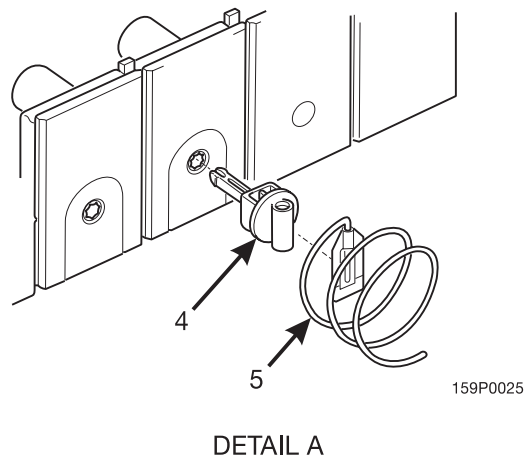
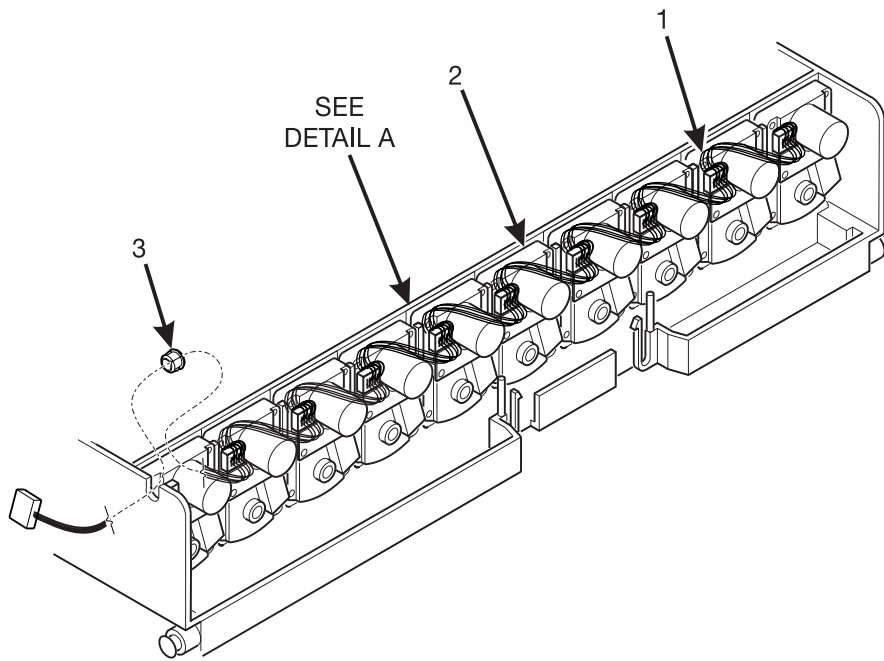


FIGURE 35: CANDY TRAY ASSEMBLY - REAR

TABLE 35A: CANDY TRAY ASSEMBLY - REAR - 8 MOTOR

INDEX	PART NUMBER	DESCRIPTION	QTY
1	1689005	HARNESS - 8 MOTOR TRAY (168 765 784 787)	1
2	1577038	MOTOR & PCB ASSEMBLY (8 MOTOR TRAY)	8
3	9989821	BUSHING	1
4	1477113	COUPLING - SPIRAL (8 MOTOR TRAY)	8
5	--	SPIRALS (SEE TABLE 41C FOR DETAILS)	--

TABLE 35B: CANDY TRAY ASSEMBLY - REAR - 10 MOTOR

INDEX	PART NUMBER	DESCRIPTION	QTY
1	1679011	HARNESS - 10 MOTOR TRAY (167 764)	1
2	1577038	MOTOR & PCB ASSEMBLY (10 MOTOR TRAY)	10
3	9989821	BUSHING	1
4	1477113	COUPLING - SPIRAL (10 MOTOR TRAY)	10
5	--	SPIRALS (SEE TABLE 41C FOR DETAILS)	--

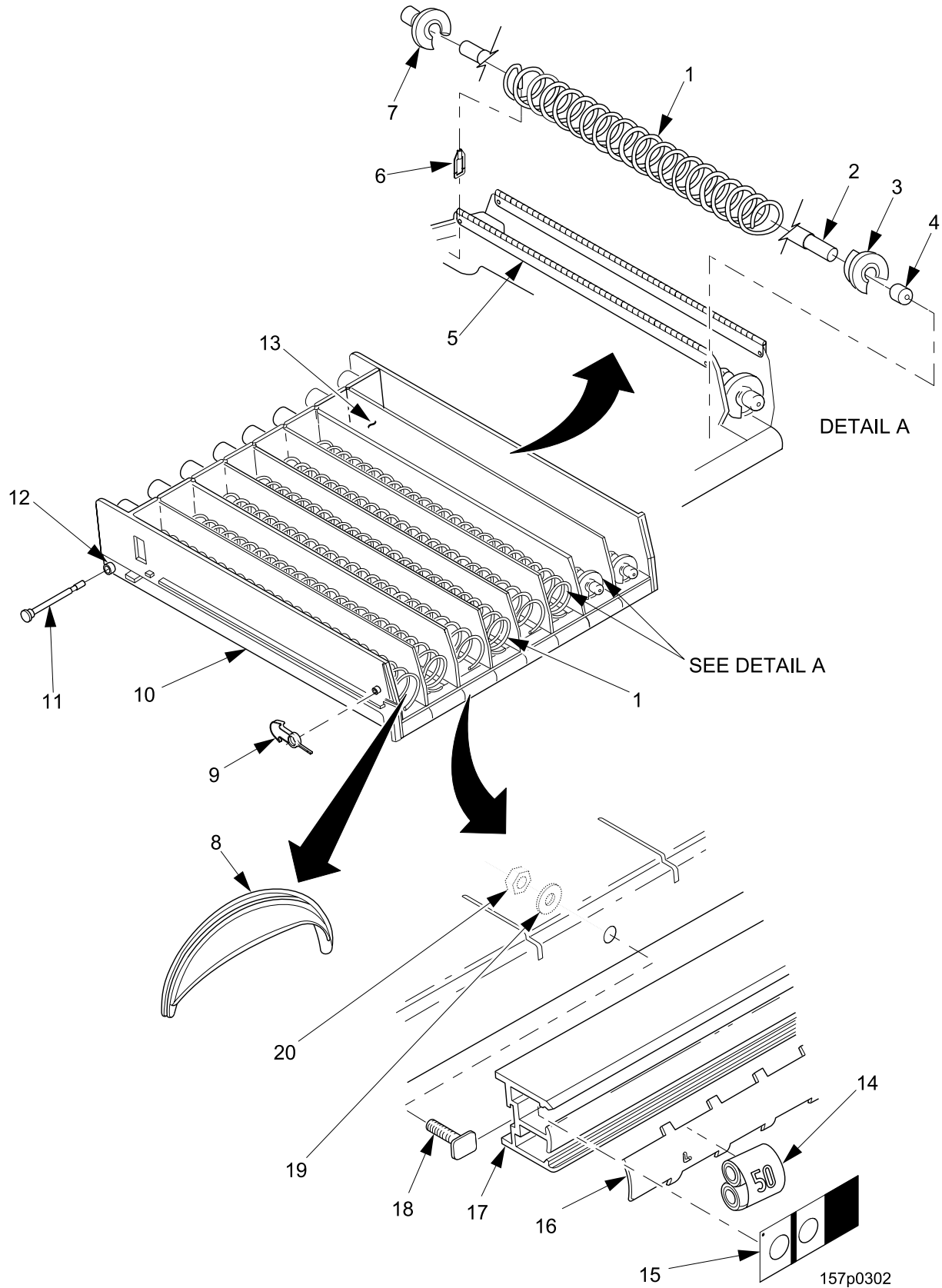
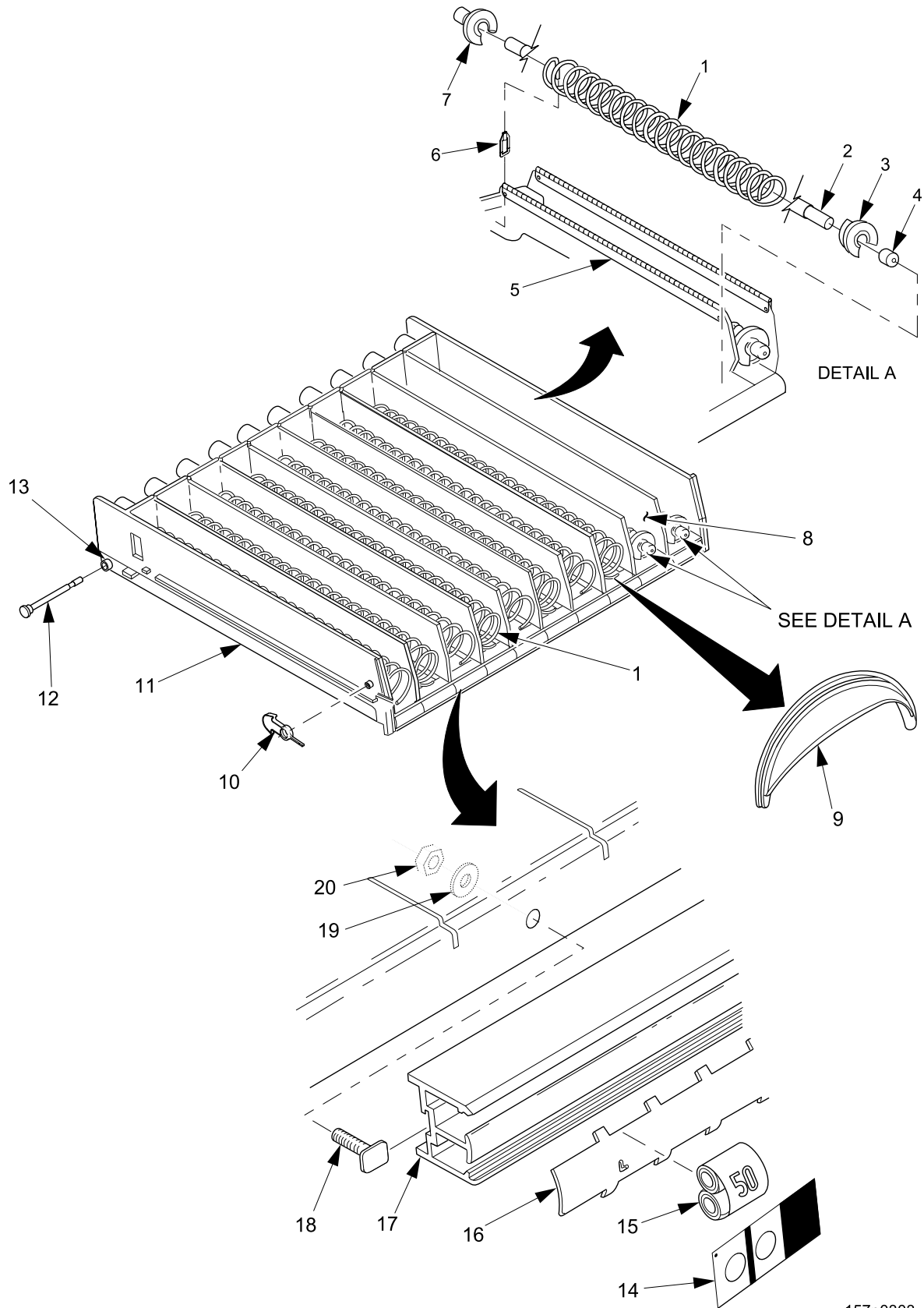


FIGURE 36: GUM AND MINT TRAY ASSEMBLY - 4 MOTOR

TABLE 36: GUM AND MINT TRAY ASSEMBLY - 4 MOTOR

INDEX	PART NUMBER	DESCRIPTION	QTY
--	1480818	GUM & MINT TRAY - 6 CANDY - 2 GUM (168 765 784 787)	--
	1480820	GUM & MINT TRAY - U.K. - 6 CANDY - 2 GUM (168 765 784 787)	
	4650864	GUM & MINT TRAY - NESTLE - 6 CANDY - 2 GUM (765)	
	4760817	GUM & MINT TRAY - FRENCH - 6 CANDY - 2 GUM (168 765 787)	
	4770714	GUM & MINT TRAY - GERMAN - 6 CANDY - 2 GUM (787)	
1	--	SPIRALS (SEE TABLE 41C FOR DETAILS)	8
2	1677004	SPIRAL INSERT ASSEMBLY - BLACK	2
3	1467129	DISC - SPIRAL INSERTS	2
4	1677005	CAP - SPIRAL INSERT - BLACK	4
5	1677193	SPACER - ADJUSTABLE (6 CANDY - 2 GUM) (7 CANDY - 1 GUM)	3
6	--	RETAINER - SPIRAL (SEE TABLE 41C FOR DETAILS)	--
7	1467130	DISC - SPIRAL INSERT	2
8	1477074	PUSHER - PRODUCT	--
--	1607003	TRAY ASSEMBLY - 6 CANDY - 2 GUM (168 765 784 787) (INCLUDES ITEMS 9-20 AND TABLE 38A)	1
	1587005	TRAY ASSEMBLY - 7 CANDY - 1 GUM (168) (NOT SHOWN)	
9	1477017	LATCH	2
10	1587003	TRAY - 4 & 8 DIVISION (6 CANDY - 2 GUM) (7 CANDY - 1 GUM)	1
11	1477097	AXLE - TRAY ROLLER	2
12	1477148	ROLLER - TRAY	2
13	1477175	WALL - TRAY (6 CANDY - 2 GUM) (7 CANDY - 1 GUM) (7 CANDY - 1 GUM)	7
14	--	LABEL - ITEM LETTERS	--
15	--	PRICE ROLLS (6 CANDY - 2 GUM) (7 CANDY - 1 GUM) (SEE TABLE 41A FOR DETAILS)	8
16	1487016	HOLDER - PRICE & SELECTION (6 CANDY - 2 GUM) (7 CANDY - 1 GUM)	1
17	1487009	RAIL - PRICE & SELECTION (6 CANDY - 2 GUM) (7 CANDY - 1 GUM)	1
18	2222031	TEE BOLT - TRIM	2
19	5560113	WASHER - HOPPER RELEASE (6 CANDY - 2 GUM) (7 CANDY - 1 GUM)	2
20	9900030	NUT #8-32 SELF-LOCKING (6 CANDY - 2 GUM) (7 CANDY - 1 GUM)	2

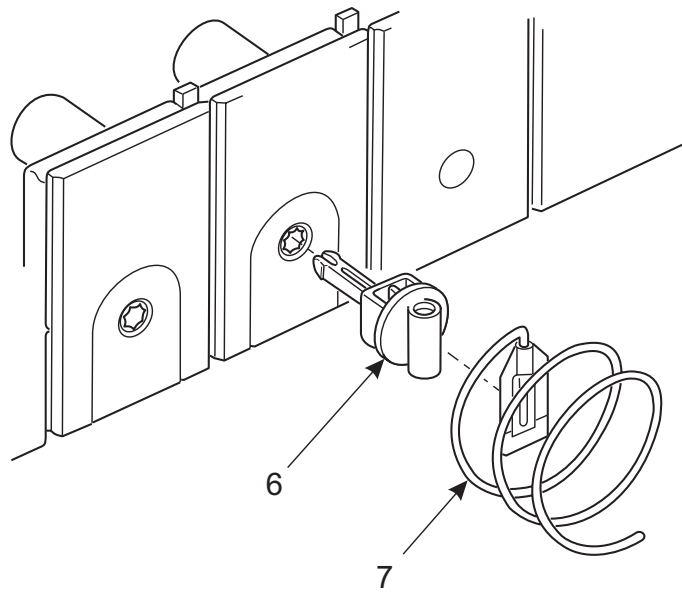
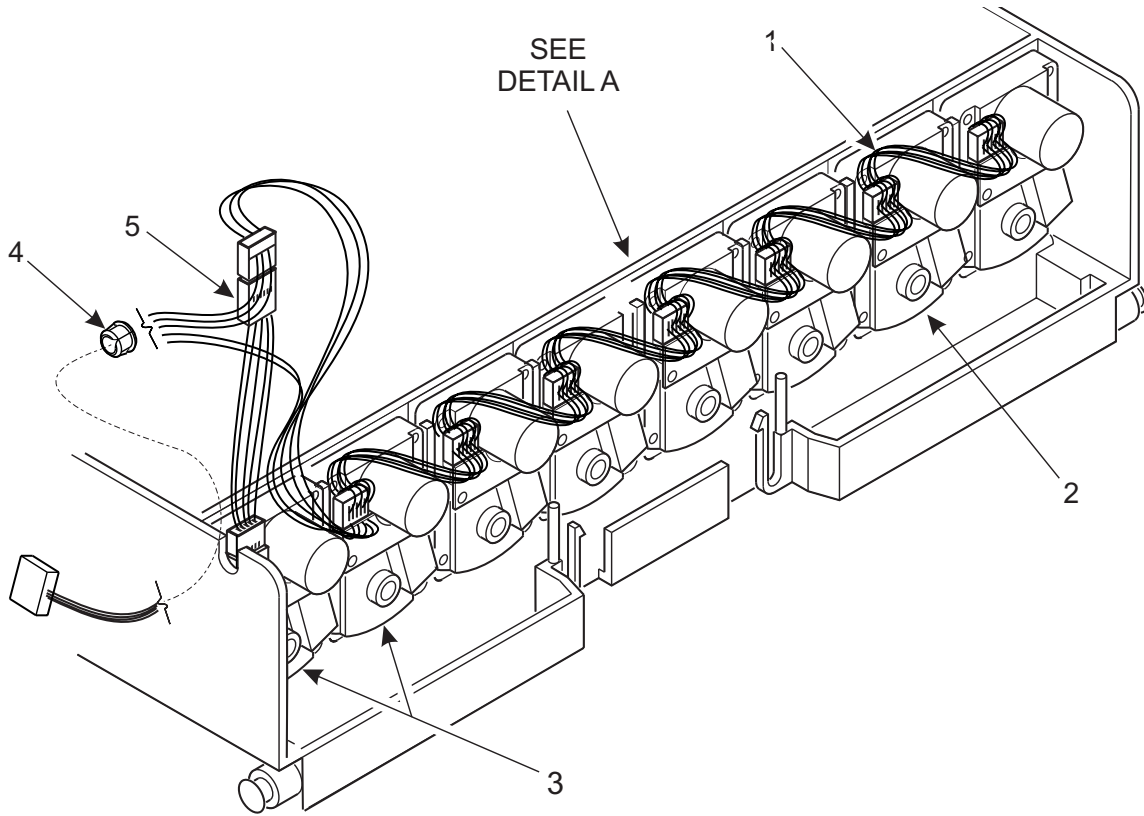


157p0303

FIGURE 37: GUM AND MINT TRAY ASSEMBLY - 5 MOTOR

TABLE 37: GUM AND MINT TRAY ASSEMBLY - 5 MOTOR

INDEX	PART NUMBER	DESCRIPTION	QTY
--	1470855	GUM & MINT TRAY - 8 CANDY - 2 GUM (167 764)	--
	1470995	GUM & MINT TRAY - 8 CANDY - 2 GUM (167)	
	1470854	GUM & MINT TRAY - U.K. - 8 CANDY - 2 GUM (167 764)	
	4610831	GUM & MINT TRAY - GERMAN - 8 CANDY - 2 GUM (167 764)	
1	--	SPIRALS (SEE TABLE 41C FOR DETAILS)	--
2	1677004	SPIRAL INSERT ASSEMBLY - BLACK	2
3	1467129	DISC - SPIRAL INSERTS	2
4	1677005	CAP - SPIRAL INSERT - BLACK	4
5	1677193	SPACER - ADJUSTABLE (8 CANDY - 2 GUM)	4
6	--	RETAINER-SPIRAL (SEE TABLE 41C FOR DETAILS)	--
7	1467130	DISC - SPIRAL INSERT	2
--	1597003	TRAY ASSEMBLY - 8 CANDY - 2 GUM (167 764) (INCLUDES ITEMS 8-20 AND TABLE 38B)	1
8	1477175	WALL - TRAY (8 CANDY - 2 GUM) (9 CANDY - 1 GUM) (9 CANDY - 1 GUM)	9
9	1477074	PUSHER - PRODUCT	--
10	1477017	LATCH	2
11	1577040	TRAY - 5 & 10 DIVISION (8 CANDY - 2 GUM) (9 CANDY - 1 GUM)	1
12	1477097	AXLE - TRAY ROLLER	2
13	1477148	ROLLER - TRAY	2
14	--	LABEL - ITEM LETTERS	--
15	--	PRICE ROLLS (8 CANDY - 2 GUM) (9 CANDY - 1 GUM) (SEE TABLE 41A FOR DETAILS)	10
16	1477157	HOLDER - PRICE & SELECTION (8 CANDY - 2 GUM) (9 CANDY - 1 GUM)	1
17	1477134	RAIL - PRICE & SELECTION (8 CANDY - 2 GUM) (9 CANDY - 1 GUM)	1
18	2222031	TEE BOLT - TRIM (8 CANDY - 2 GUM) (9 CANDY - 1 GUM)	3
19	5560113	WASHER - HOPPER RELEASE (8 CANDY-2 GUM) (9 CANDY-1 GUM)	3
20	9900030	NUT #8-32 SELF-LOCKING (8 CANDY - 2 GUM) (9 CANDY - 1 GUM)	3



159P0038

DETAIL A

FIGURE 38: GUM AND MINT TRAY ASSEMBLY - REAR

TABLE 38A: GUM AND MINT TRAY ASSEMBLY - REAR - 8 MOTOR

INDEX	PART NUMBER	DESCRIPTION	QTY.
1	1689005	HARNESS - 8 MOTOR TRAY	1
2	1577038	MOTOR & PC BOARD ASSEMBLY	6
3	1477114	MOTOR & PCB ASSEMBLY	2
4	9989821	BUSHING	1
5	1477156	JUMPER ASSEMBLY - MOTOR REVERSE	1
6	1477113	COUPLING - SPIRAL	8
7	--	SPIRALS (SEE TABLE 41C FOR DETAILS)	--

TABLE 38B: GUM AND MINT TRAY ASSEMBLY - REAR - 10 MOTOR

INDEX	PART NUMBER	DESCRIPTION	QTY.
1	1679011	HARNESS - 10 MOTOR TRAY	1
2	1577038	MOTOR & PC BOARD ASSEMBLY	8
3	1477114	MOTOR & PCB ASSEMBLY	2
4	9989821	BUSHING	1
5	1477156	JUMPER ASSEMBLY - MOTOR REVERSE	1
6	1477113	COUPLING - SPIRAL	10
7	--	SPIRALS (SEE TABLE 41C FOR DETAILS)	--

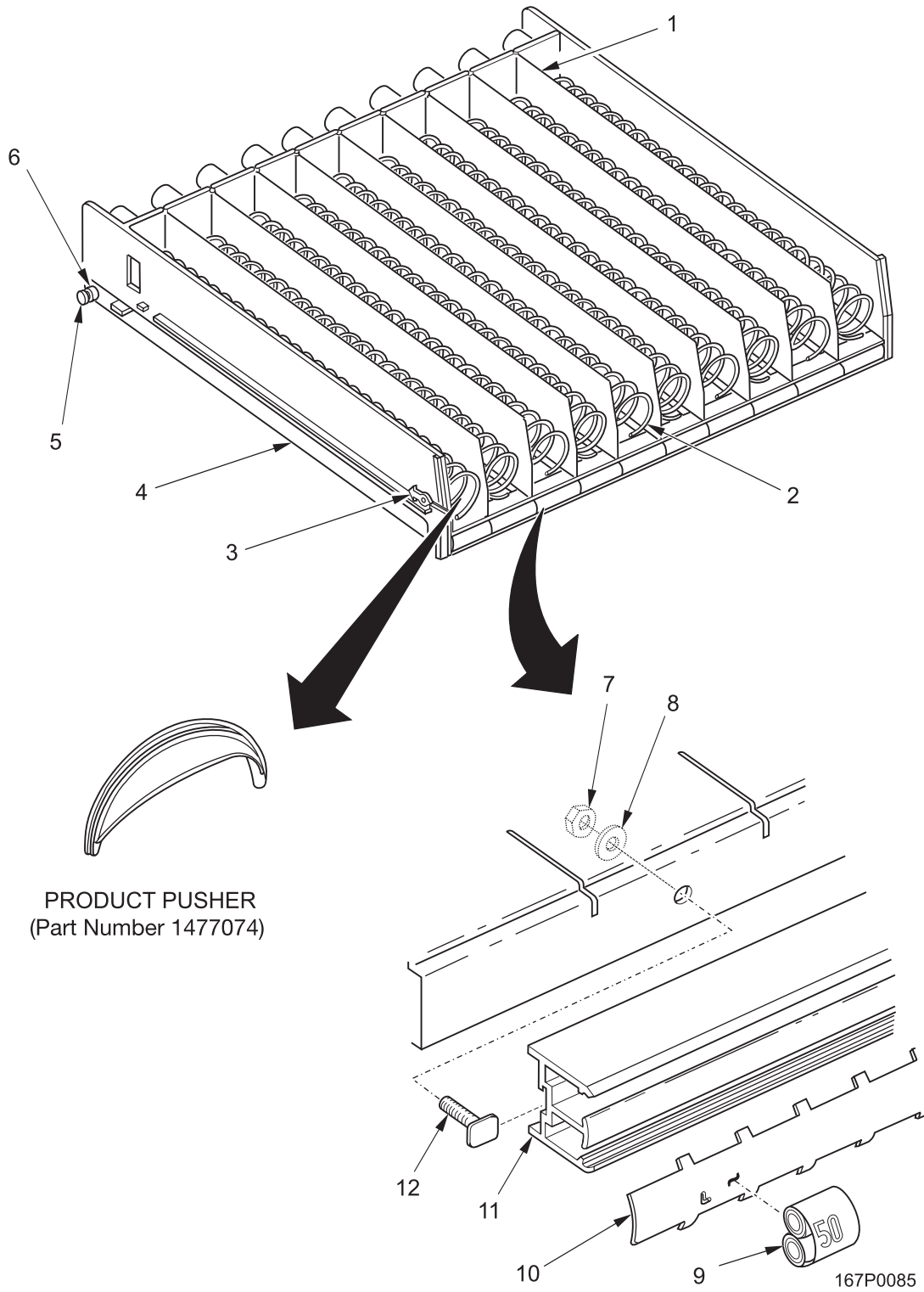


FIGURE 39: CIGARETTE TRAY ASSEMBLY 35" DEEP MACHINE

TABLE 39: CIGARETTE TRAY ASSEMBLY 35" DEEP MACHINE

INDEX	PART NUMBER	DESCRIPTION	QTY
--	1577036	TRAY ASSEMBLY - 10 CIGARETTE (167)	1
1	1477175	WALL - TRAY (167)	9
2	--	SPIRAL (SEE TABLE 41C FOR DETAILS)	-
3	1477017	LATCH	2
4	1577040	TRAY - 5/10 DIVISION	1
5	1477097	AXLE - TRAY ROLLER	2
6	1477148	ROLLER - TRAY	2
7	9900030	NUT - #8-32 SELF-LOCKING	3
8	5560113	WASHER - HOPPER RELEASE	3
9	--	PRICE ROLLS (10 CIGARETTE) (SEE TABLE 41A FOR DETAILS)	--
10	1477157	HOLDER - PRICE & SELECTION	1
11	1477134	RAIL - PRICE & SELECTION	1
12	2222031	TEE BOLT - TRIM	3

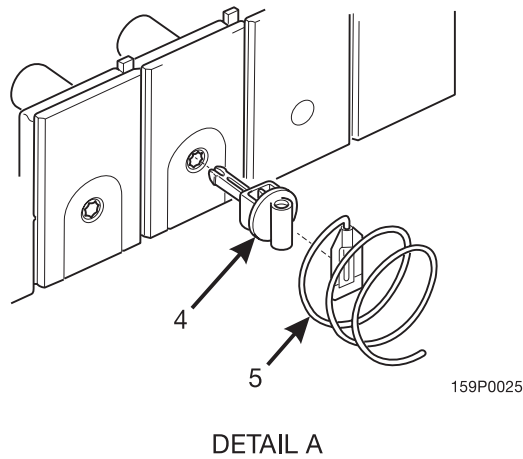
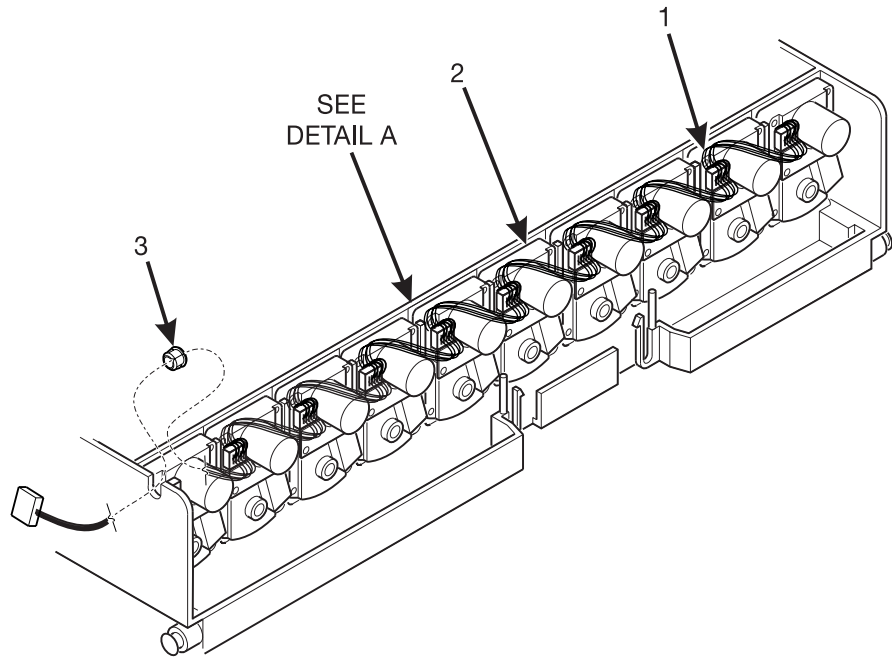


FIGURE 40: CIGARETTE TRAY ASSEMBLY 35" DEEP MACHINE - REAR

TABLE 40: CIGARETTE TRAY ASSEMBLY 35" DEEP MACHINE - REAR

INDEX	PART NUMBER	DESCRIPTION	QTY
1	1679011	HARNESS - 10 MOTOR (167)	1
2	1577038	MOTOR & PC BOARD ASSEMBLY (167)	10
3	9989821	BUSHING - 0.512 DIAMETER	1
4	1477113	COUPLING - SPIRAL (167)	10
5	--	SPIRAL (SEE TABLE 41C FOR DETAILS)	--

TABLE 41A: PRICE ROLLS (FOR TRAYS)

PART NUMBER	DESCRIPTION
1477014	PRICE ROLL - CENTS
1477015	PRICE ROLL - DOLLARS
1687001	PRICE ROLL - 1 TO 25 PRICE - DOLLARS
1687002	PRICE ROLL - 26 TO 50 PRICE - DOLLARS
1672065	PRICE ROLL - PRICE - UK - RANGE 1-5 KB
1472273	PRICE ROLL - U.K. - 1L/10L 40P/95P
1472274	PRICE ROLL - U.K. - 1L/10L 8P/35P
1572205	PRICE ROLL - UK - 36P TO 62P + FREE KB
1572206	PRICE ROLL - UK, 63P TO 90P, KB
1477123	PRICE ROLL - 0 TO 25 - UK/GER/FR KB
1577004	PRICE ROLL - 000 TO 250 YEN
1577003	PRICE ROLL - 1 TO 9/10 TO 90 YEN
1577005	PRICE ROLL - 260 TO 500 YEN
1577006	PRICE ROLL - 510 TO 760 YEN
1577007	PRICE ROLL - 770 TO 990 YEN

TABLE 41B: SPIRAL OPTIONS 28" DEEP MACHINE

		LEFT HAND		RIGHT HAND		
SPIRAL COUNT	RETAINER COLOR	ASSEMBLY	SPIRAL	ASSEMBLY	SPIRAL	RETAINER
5	TAN	1707045	1707044	1707047	1707046	4407817
6	PURPLE	1707041	1707040	1707043	1707042	1477107
7	BROWN	1707058	1707057	1707060	1707059	1477106
8	GRAY	1707016	1707017	1707018	1707019	1477155
10	BLUE	1707004	1707005	1707006	1707007	1457061
12	YELLOW	1707008	1707009	1707010	1707011	1457062
14	RED	1707012	1707013	1707014	1707015	1457063
18	WHITE	1707020	1707021	1707022	1707023	1457064

TABLE 41C: SPIRAL OPTIONS 35" DEEP MACHINE

		LEFT HAND		RIGHT HAND		
SPIRAL COUNT	RETAINER COLOR	ASSEMBLY	SPIRAL	ASSEMBLY	SPIRAL	RETAINER
9	GRAY	1477152	1477153	1477149	1477150	1477155
11	BLUE	1477023	1477024	1477026	1477027	1457061
13	YELLOW	1477029	1477030	1477032	1477033	1457062
15	RED	1477035	1477036	1477038	1477039	1457063
17	BROWN	1477101	1477100	1477099	1477098	1477106
20	WHITE	1477041	1477042	1477044	1477045	1457064

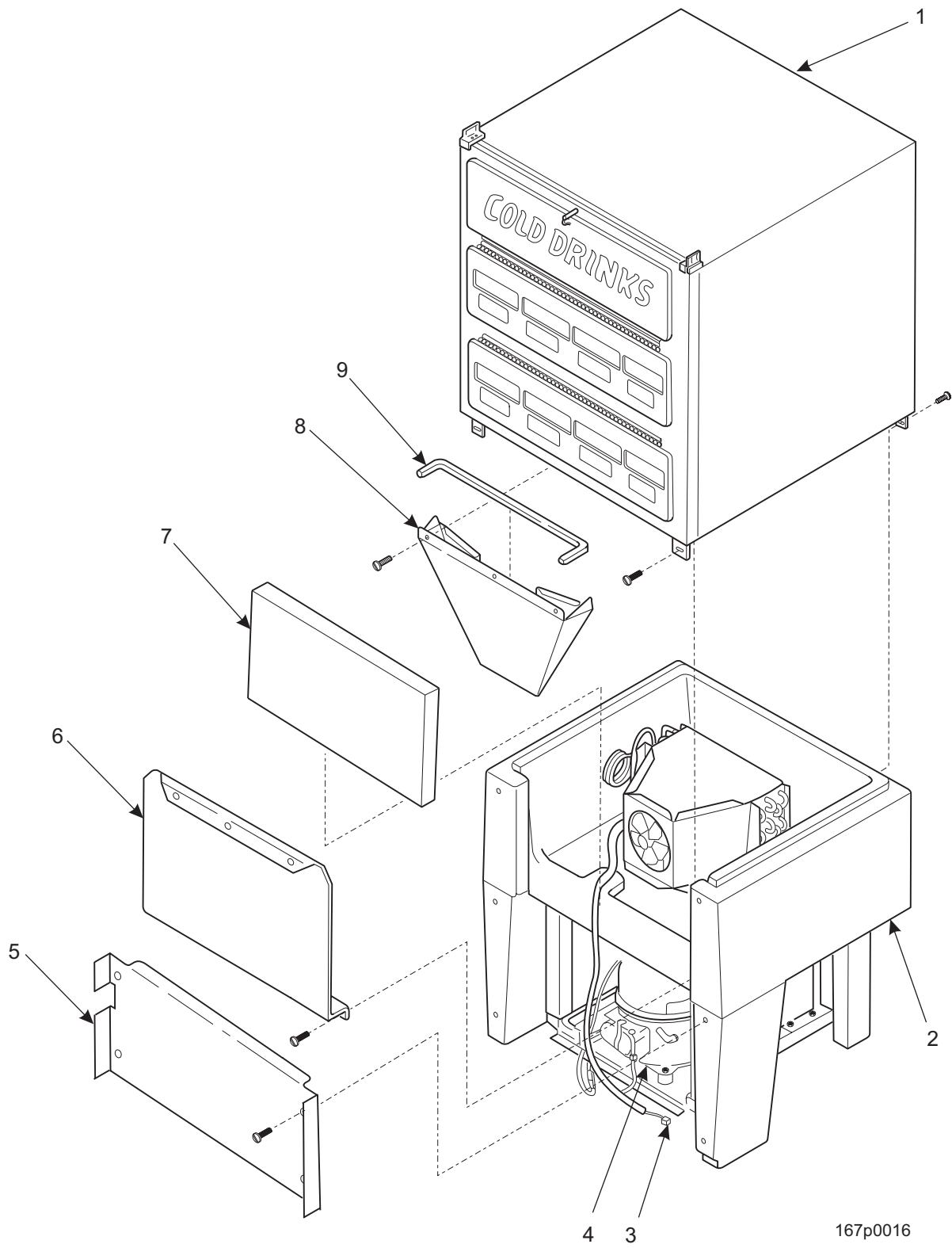


FIGURE 42: CHILLED CAN MODULE

TABLE 42: CHILLED CAN MODULE

INDEX	PART NUMBER	DESCRIPTION	QTY
1	4847001	CAN MODULE ASSEMBLY - 8 SELECT (110V)	1
	4877000	CAN MODULE ASSEMBLY - 8 SELECT (220V)	
	4847029	CAN MODULE ASSEMBLY - 6 SELECT (AUSTRALIA)	
2	7844006	REFRIGERATION MODULE ASSEMBLY FINAL - CAN - (110V)	1
	7864000	REFRIGERATION MODULE ASSEMBLY FINAL - CAN - (220V)	
	7844009	REFRIGERATION MODULE ASSEMBLY FINAL - CAN - (AUSTRALIA)	
3	7649000	HARNESS - CAN/CHILLER COMPRESSOR	1
4	7644018	REFRIGERATION UNIT - 230V	1
	7644017	REFRIGERATION UNIT - 115V	
5	1581028	COVER & SEAL ASSEMBLY - COMPRESSOR (784) (SHOWN)	1
	4671009	COVER & SEAL ASSEMBLY - COMPESSOR (764) (NOT SHOWN)	
	4681020	COVER & SEAL ASSEMBLY - COMPRESSOR (787) (NOT SHOWN)	
6	4744042	DOOR - RETAINER	1
7	4744027	DOOR - REFRIGERATION MODULE	1
--	4744023	DUCT & GASKET ASSEMBLY (INCLUDES INDEX NUMBERS 7 & 8)	--
8	4744024	DUCT ASSEMBLY - AIR DISTRIBUTION	1
9	4744028	GASKET - DUCT DISTRIBUTION	1

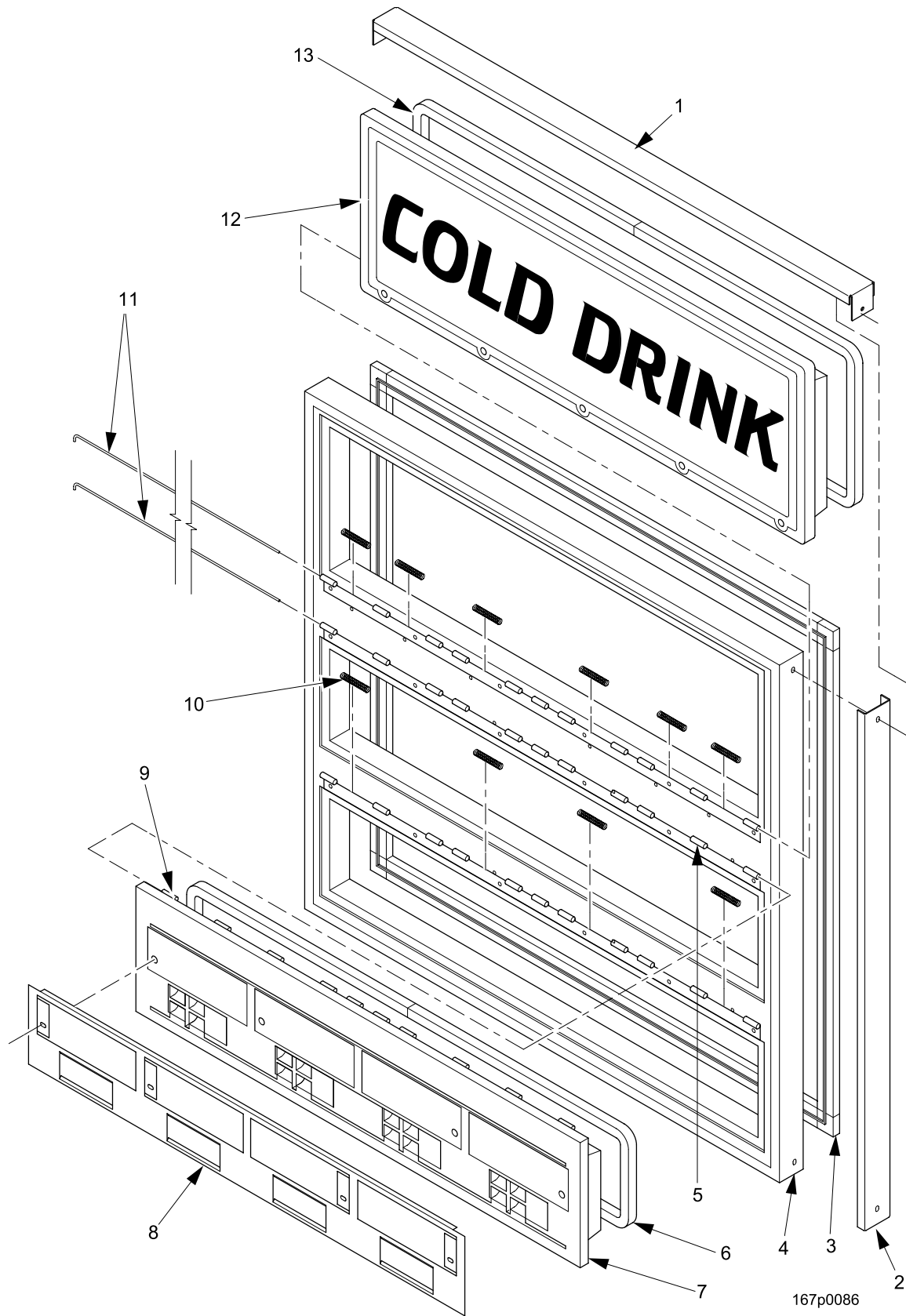


FIGURE 43: CAN UNIT FRAME ASSEMBLY

TABLE 43: CAN UNIT FRAME ASSEMBLY

INDEX	PART NUMBER	DESCRIPTION	QTY
--	4747065	FRAME ASSEMBLY - 8 SELECTION (784 787)	--
--	4747126	FRAME & SUPPORT ASSEMBLY - 8 SELECTION (INCLUDES ITEMS 1 - 5)	--
1	4747099	SUPPORT - FRAME - HORIZONTAL	2
2	4747098	SUPPORT - FRAME - VERTICAL	2
3	4747003	GASKET - FRAME - 8 SELECT	1
4	4747127	FRAME - CAN MODULE - 8 SELECTION	1
5	7847003	HINGE - DELIVERY DOOR	3
--	4747129	DELIVERY DOOR ASSEMBLY (INCLUDES ITEMS 6 - 9)	--
6	4747009	GASKET - DELIVERY DOOR	2
7	4747134	DOOR - DELIVERY	2
8	4747111	RETAINER - LABEL	2
9	7847004	HINGE - DOOR	2
10	4747064	SPRING - DOOR RETURN	14
11	4747135	PIN - HINGE	3
12	4747133	DOOR - LOADING	1
13	4747014	GASKET - LOADING DOOR	1

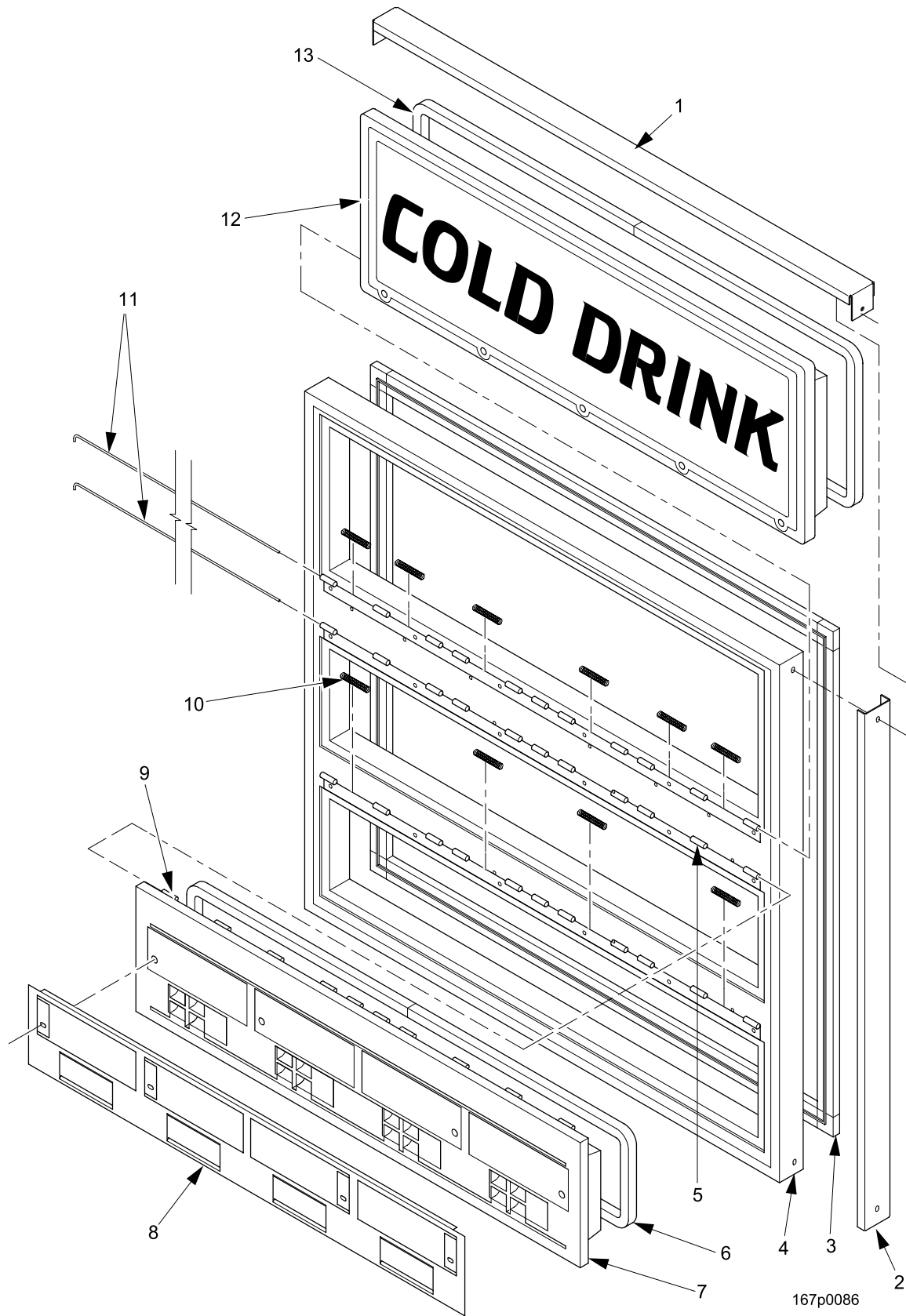
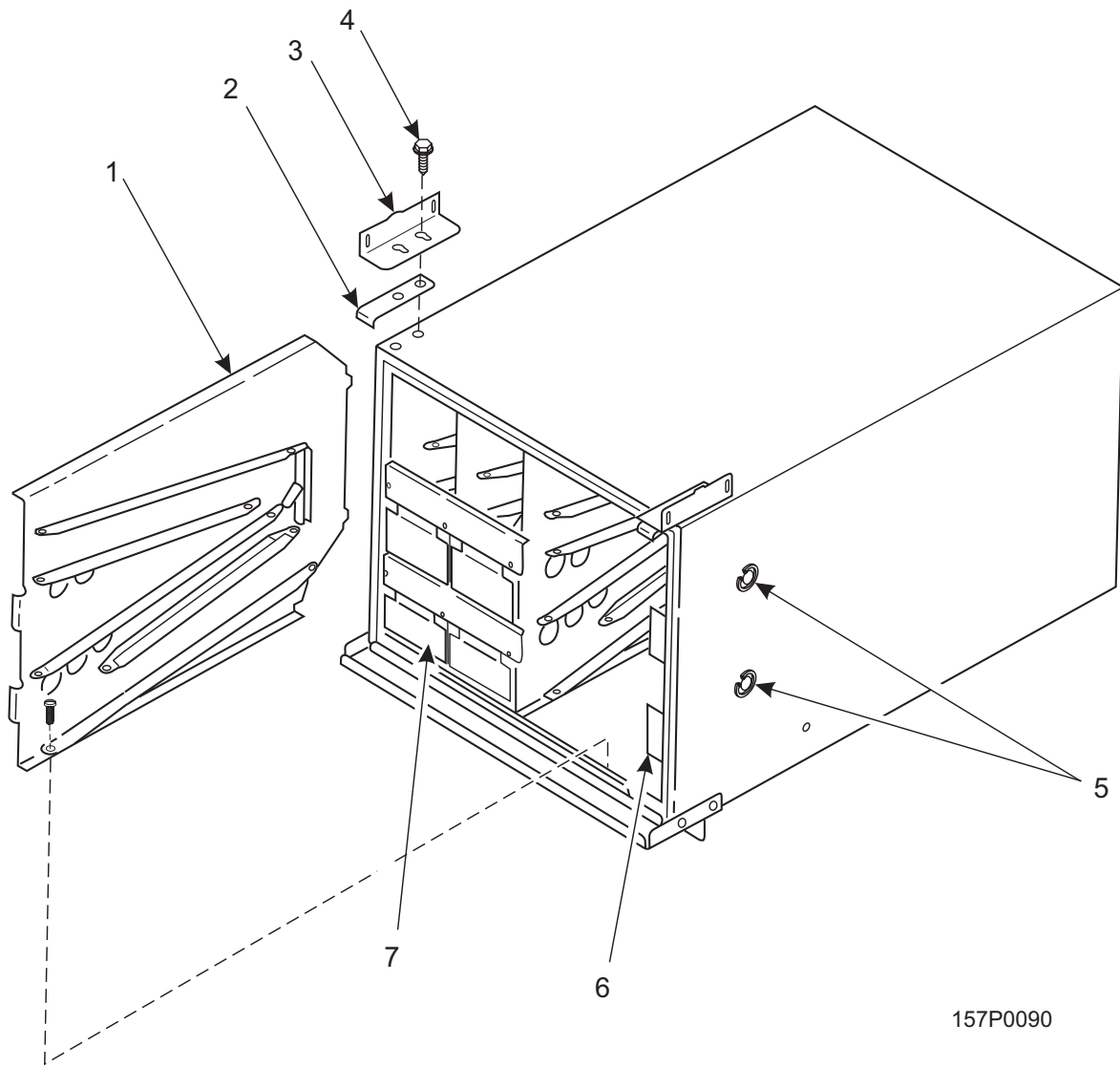


FIGURE 44: CAN UNIT FRAME ASSEMBLY - AUSTRALIA

TABLE 44: CAN UNIT FRAME ASSEMBLY - AUSTRALIA

INDEX	PART NUMBER	DESCRIPTION	QTY
--	4847031	FRAME ASSEMBLY - 6 SELECTION - AUSTRALIA (784 787)	--
--	4747126	FRAME & SUPPORT ASSEMBLY - 8 SELECTION (INCLUDES ITEMS 1 - 5)	--
1	4747099	SUPPORT - FRAME - HORIZONTAL	2
2	4747098	SUPPORT - FRAME - VERTICAL	2
3	4747003	GASKET - FRAME - 8 SELECT	1
4	4747127	FRAME - CAN MODULE - 8 SELECTION	1
5	7847003	HINGE - DELIVERY DOOR	3
--	4847032	DELIVERY DOOR ASSEMBLY - AUSTRALIA (INCLUDES ITEMS 6 - 9)	--
6	4747009	GASKET - DELIVERY DOOR	2
7	4847033	DOOR - DELIVERY - AUSTRALIA	2
8	4847034	RETAINER - LABEL - AUSTRALIA	2
9	7847004	HINGE - DOOR	2
10	4747064	SPRING - DOOR RETURN	14
11	4747135	PIN - HINGE	3
12	4747133	DOOR - LOADING	1
13	4747014	GASKET - LOADING DOOR	1



157P0090

FIGURE 45: CAN COMPARTMENT ASSEMBLY

TABLE 45: CAN COMPARTMENT ASSEMBLY

INDEX	PART NUMBER	DESCRIPTION	QTY
--	4847001	CAN MODULE ASSEMBLY - 8 SELECT	--
	4877000	CAN MODULE ASSEMBLY - 8 SELECT - FOREIGN (787)	
1	7847013	DIVIDER AND RAIL ASSEMBLY	3
2	4747089	RETAINER - FRAME - UPPER	2
3	4741022	RETAINER - CAN MODULE (784, 787)	2
4	4727144	SCREW - #8-18X.62 HEX HEAD	4
5	4747042	BUSHING - OPEN/CLOSED	4
6	4747044	ANGLE - EJECTOR MOUNTING CHANNEL	4
7	4847002	MOTOR & EJECT MTG. CHANNEL ASSEMBLY	2

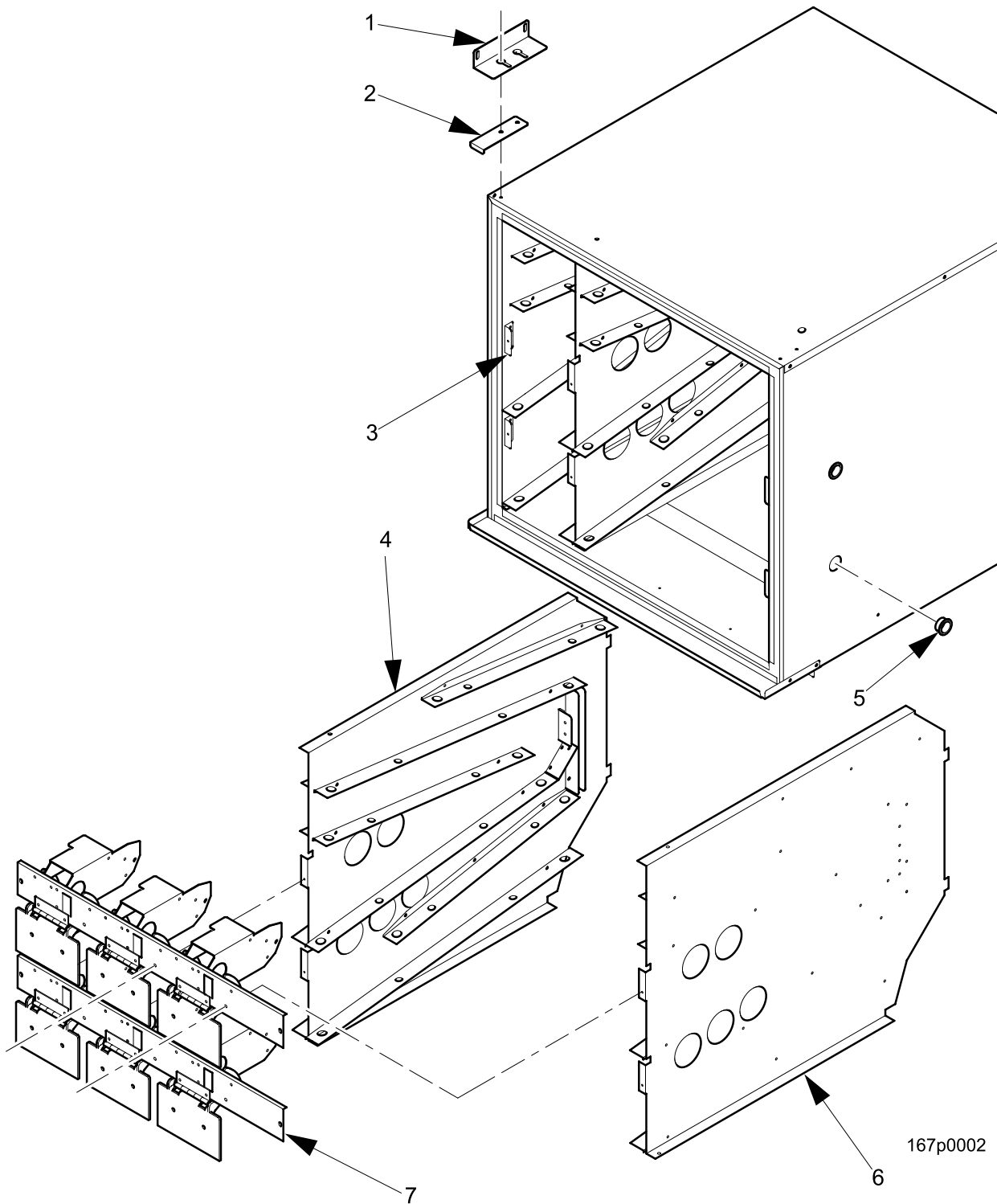


FIGURE 46: CAN COMPARTMENT ASSEMBLY (AUSTRALIA)

TABLE 46: CAN COMPARTMENT ASSEMBLY (AUSTRALIA)

INDEX	PART NUMBER	DESCRIPTION	QTY
--	4847029	CAN MODULE ASSEMBLY - 6 SELECT - AUSTRALIA	--
1	4741022	RETAINER - CAN MODULE	2
2	4747089	RETAINER - FRAME - UPPER	2
3	4747044	ANGLE - EJECTOR MOUNTING CHANNEL	4
4	7847013	DIVIDER AND RAIL ASSEMBLY	2
5	4747042	BUSHING - OPEN/CLOSED	4
6	7847016	DIVIDER AND RAIL ASSEMBLY - AUSTRALIA	1
7	4847035	MOTOR & EJECTOR MOUNTING CHANNEL ASSEMBLY AUSTRALIA (SEE TABLE 44 FOR DETAILS)	2

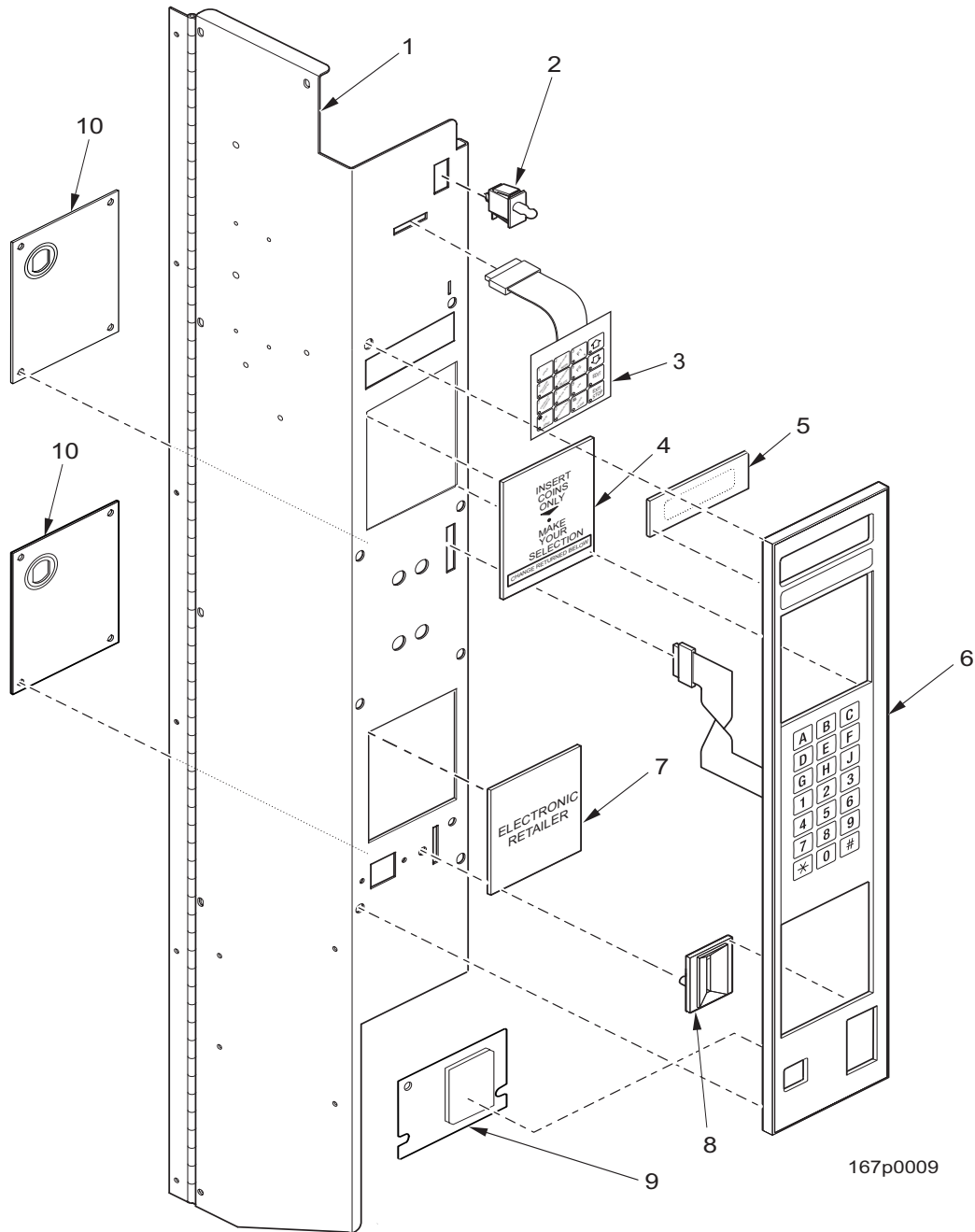


FIGURE 47: MONETARY PANEL ASSEMBLY (PART 1 OF 4)

TABLE 47: MONETARY PANEL ASSEMBLY (PART 1 OF 4)

INDEX	PART NUMBER	DESCRIPTION	QTY
1	1575094	MONETARY PANEL WELD ASSEMBLY - NV BLACK (167 168 457 458 764 765 784 787)	1
	1575095	MONETARY PANEL WELD ASSEMBLY - MIR BLACK (764 765 787)	
	4875001	MONETARY PANEL WELD ASSEMBLY - SELECTA WHITE (168 764 765 784 787)	
2	1401110	SWITCH - SERVICE	1
3	6335002	SERVICE KEYPAD ASSEMBLY	1
4	1675006	INSERT - INSTRUCTIONS - UPPER - SUREVEND	1
5	1572013	LENS - DISPLAY	1
6	1575098	FACEPLATE ASSEMBLY (WITH COIN OPTION)	1
	1575099	FACEPLATE ASSEMBLY (NO COIN OPTION)	
7	1575035	INSERT - INSTRUCTIONS - LOWER - ENGLISH	1
	1672027	INSERT - INSTRUCTIONS - LOWER - EUROCOIN	
	1575049	INSERT - INSTRUCTIONS - LOWER - UK.COINS	
	1575040	INSERT - INSTRUCTIONS - LOWER - MEXICO	
	1575033	INSERT - INSTRUCTIONS - LOWER - SWEDISH	
	1575034	INSERT - INSTRUCTIONS - LOWER - TOKENS - BRAZIL	
	1575041	INSERT - INSTRUCTIONS - LOWER - ARGENTINA	
1575076	INSERT - INSTRUCTIONS - LOWER - BLANK		
8	1472223	COIN INSERT (WITH COIN OPTION)	1
	1672001	COIN INSERT (AUSTRALIA ONLY) (NOT SHOWN)	
9	1575044	COVER PLATE ASSEMBLY - NO COIN	1
10	1575048	PLATE - INSERT BACKING	2

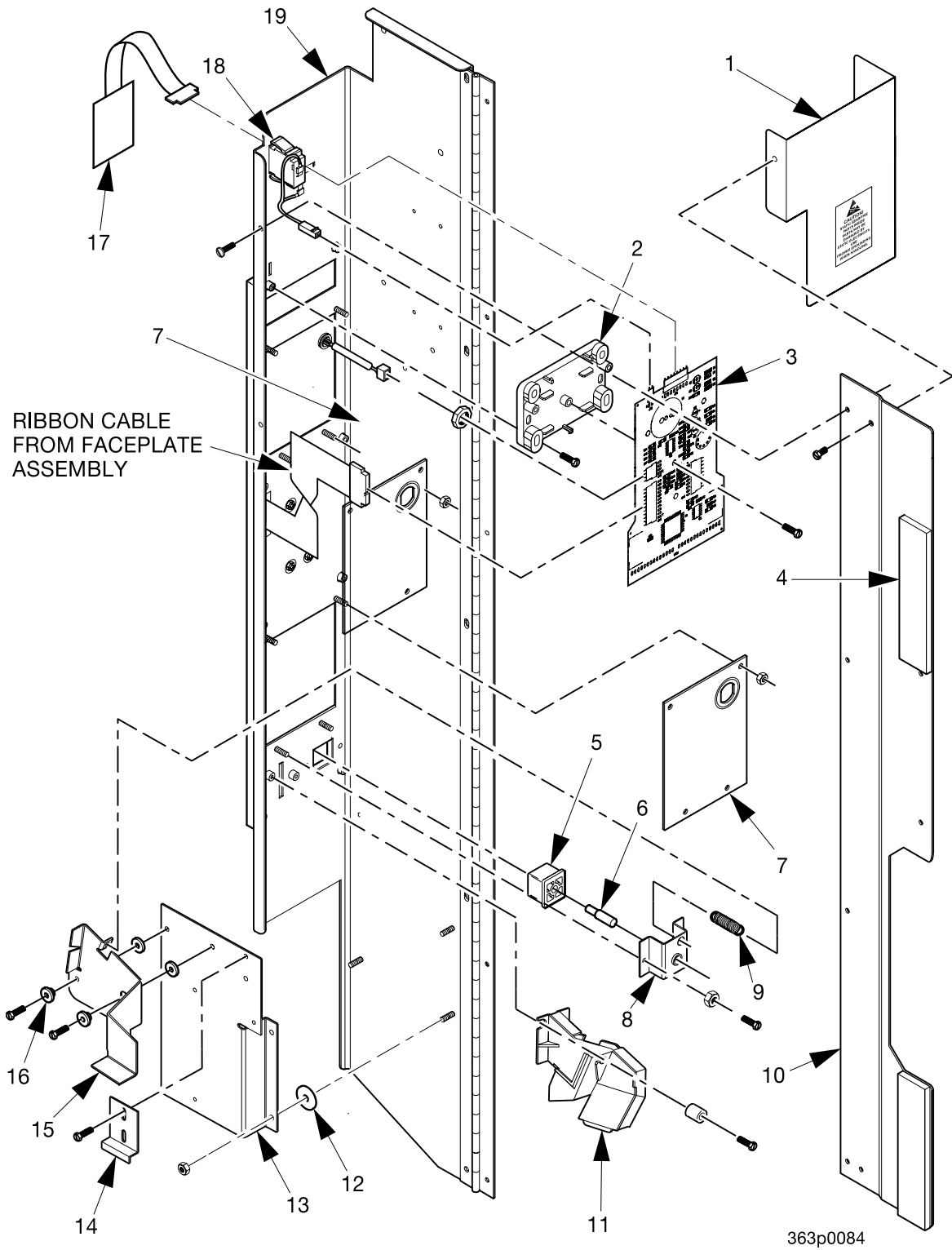


FIGURE 48: MONETARY PANEL ASSEMBLY (PART 2 OF 4)

TABLE 48: MONETARY PANEL ASSEMBLY (PART 2 OF 4)

INDEX	PART NUMBER	DESCRIPTION	QTY
1	1575029	COVER - DISPLAY	1
--	9989823	DISPLAY WITH BRACKET ASSEMBLY (INCLUDES INDEX 2 & 3)	--
2	1475099	BRACKET - PCB - DISPLAY	1
3	9989685	PCB ASSEMBLY - DISPLAY	1
4	3122056	MAGNET RETAINER COIN CHANGER	1
5	1475026	BUTTON - COIN RETURN	1
6	1475072	SHAFT - RETURN BUTTON	1
7	--	UPPER OR LOWER MONETARY POSITION (SEE TABLE 51A FOR DETAILS)	--
8	1571079	BRACKET - COIN RETURN BUTTON	1
9	1127808	SPRING SHELF RESET	1
10	1575057	PLATE - MAGNET MOUNTING	1
11	1575003	COIN CHUTE ASSEMBLY	OPT.
12	9900067	WASHER STEEL 7/16 X.203 X.062	2
13	1571081	BRACKET ASSEMBLY - COIN MECHANISM	OPT.
14	6231037	CLAMP - CABLE	1
15	1571113	ARM - SCAVENGER	1
16	2204093	WASHER - SCAVENGER BAR	1
17	6335002	SERVICE KEYPAD ASSEMBLY	1
	6335005	SERVICE KEYPAD ASSEMBLY - SPANISH	
18	1401110	SWITCH	1
19	1575094	MONETARY PANEL WELD ASSEMBLY	1
	1575095	MONETARY PANEL WELD ASSEMBLY - MIR BLACK (764 765 787)	
	4875001	MONETARY PANEL WELD ASSEMBLY - SELECTA WHITE (168 764 765 784 787)	

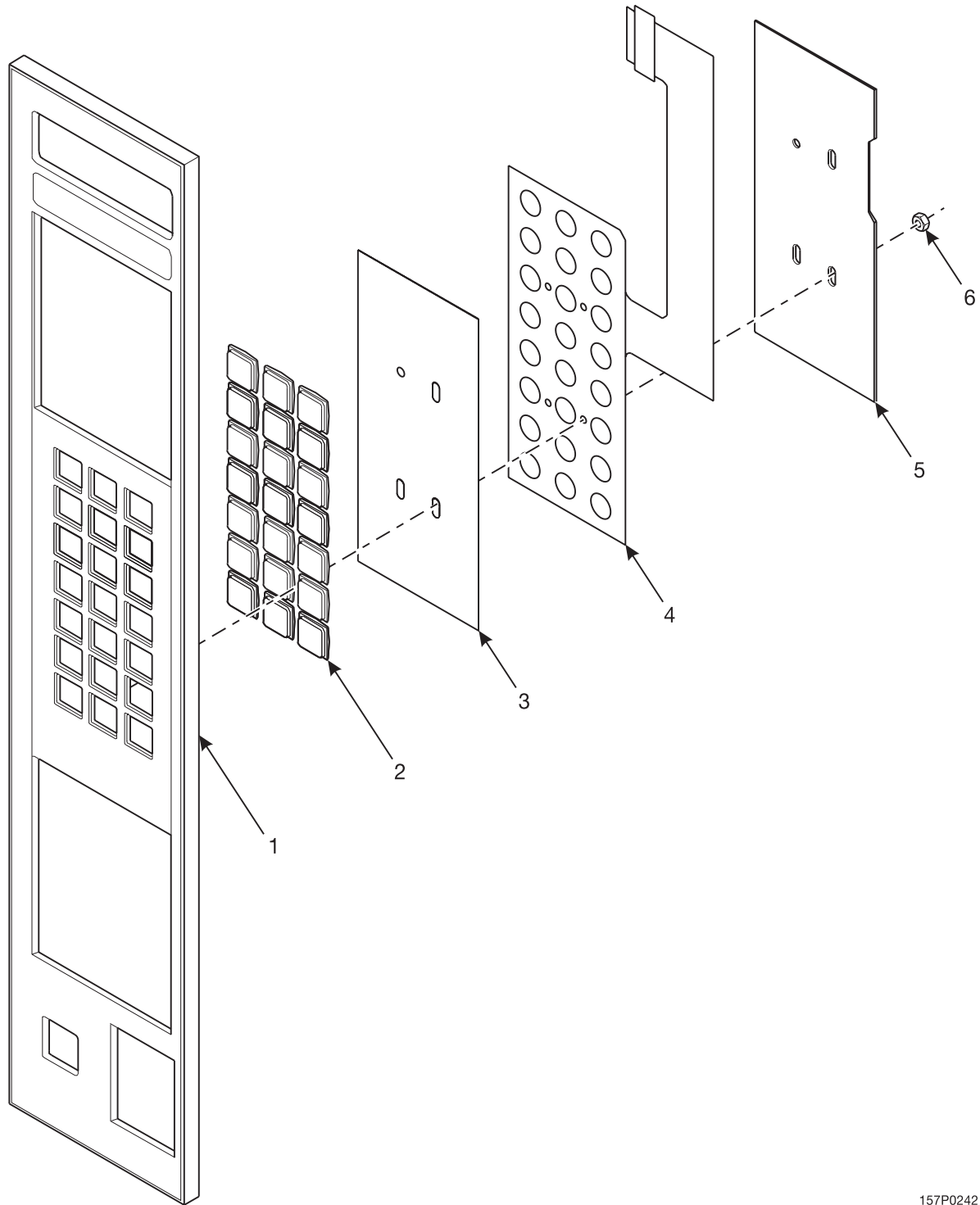


FIGURE 49: MONETARY PANEL ASSEMBLY (PART 3 OF 4)

TABLE 49: MONETARY PANEL ASSEMBLY (PART 3 OF 4)

INDEX	PART NUMBER	DESCRIPTION	QTY
1	1575098	FACEPLATE ASSEMBLY (WITH COIN OPTION)	1
	1575099	FACEPLATE ASSEMBLY (NO COIN OPTION)	
--	1575001	SELECTION PANEL (WITH COIN OPTION)	1
	1575043	SELECTION ASSEMBLY (NO COIN OPTION)	
2	1472251	LENS - PUSH BUTTON	21
3	1575010	LETTER SHEET - SELECT SWITCH	1
4	7215019	MEMBRANE SWITCH ASSEMBLY - SELECT	1
5	1575091	PLATE - SELECT SWITCH - BACK UP	1
6	1475089	1/8 NUT-SELF-THREADING	4

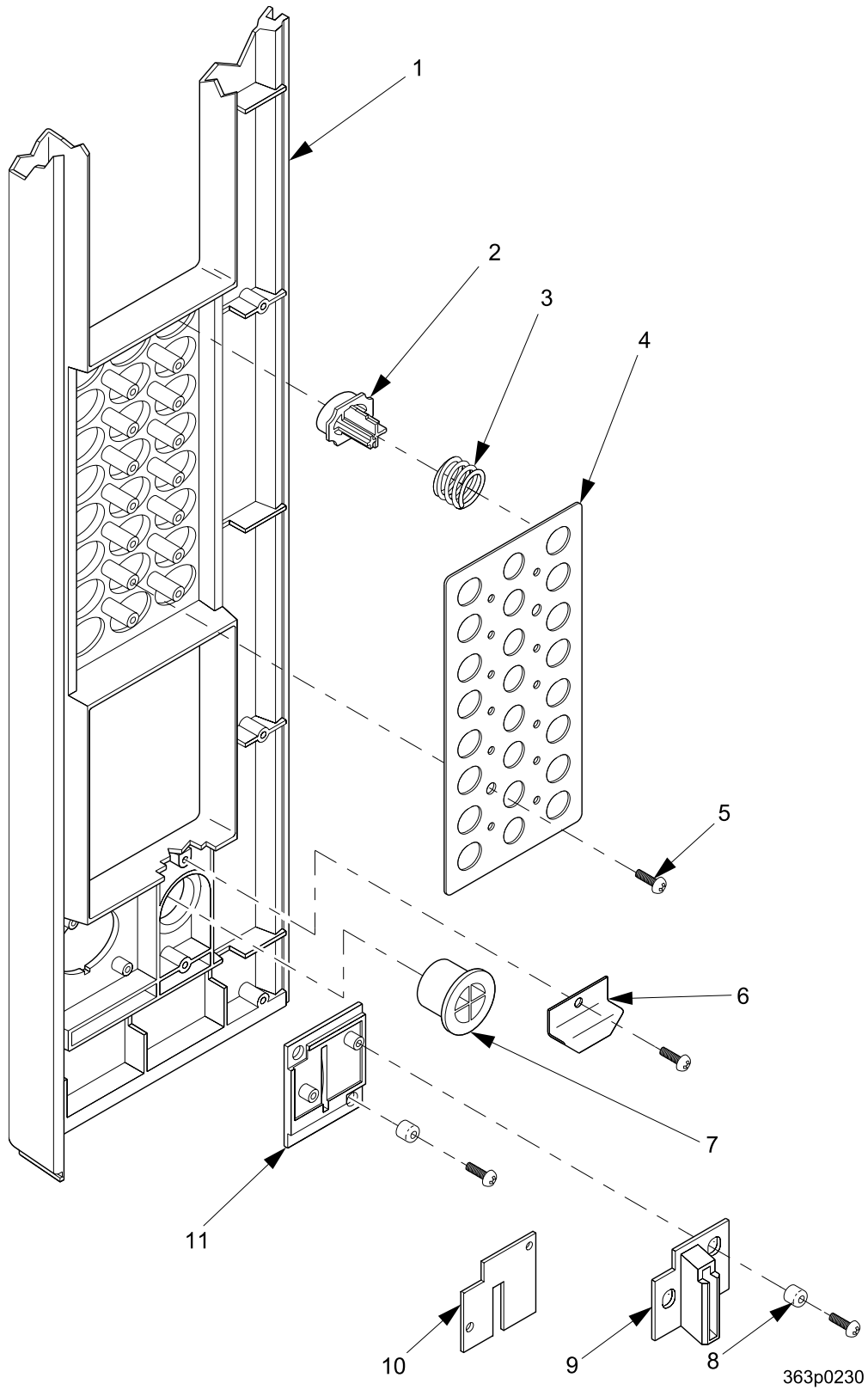
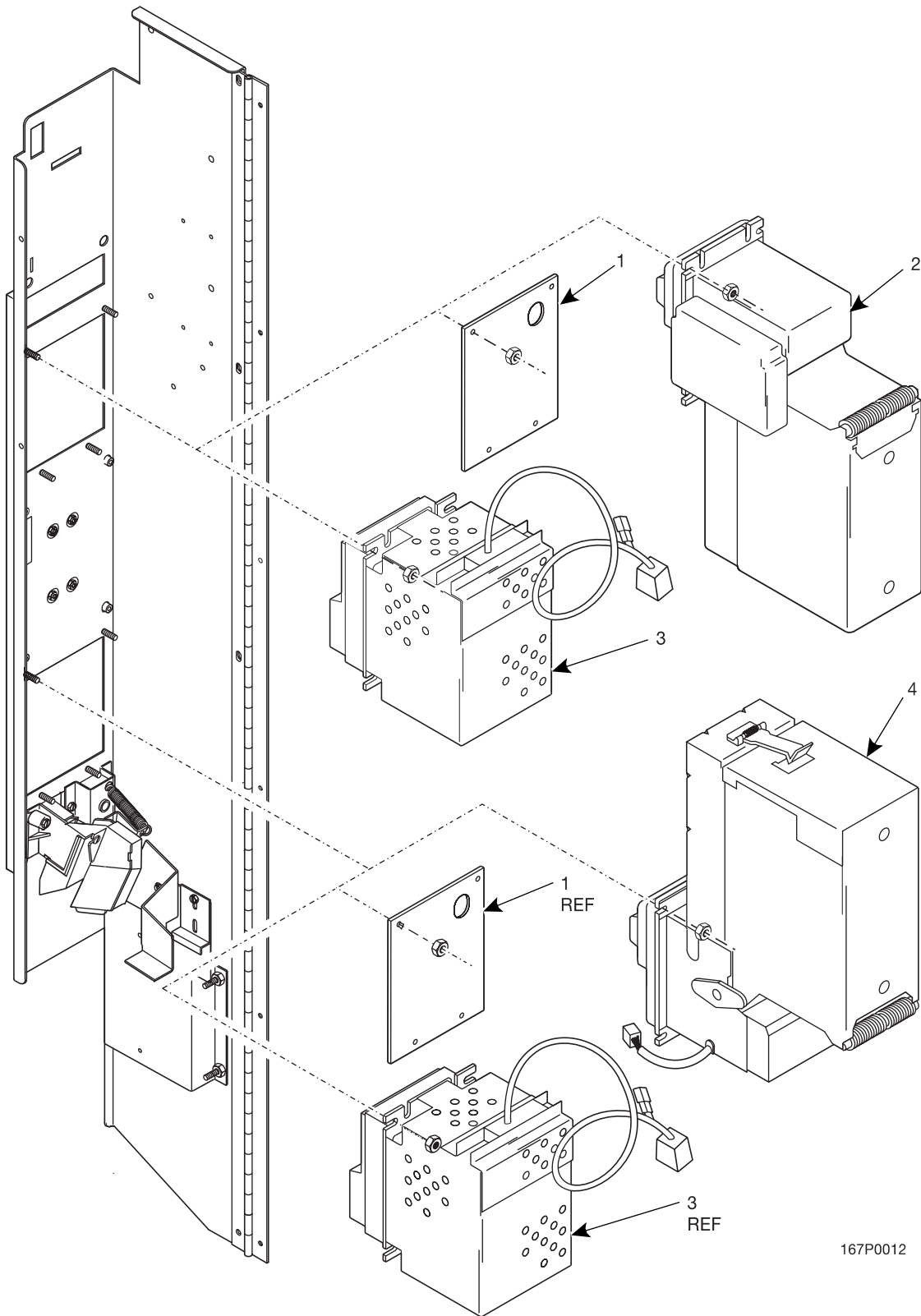


FIGURE 50: MONETARY PANEL ASSEMBLY (PART 4 OF 4) - MILLENNIA STYLING

TABLE 50: MONETARY PANEL ASSEMBLY (PART 4 OF 4) - MILLENNIA STYLING

INDEX	PART NUMBER	DESCRIPTION	QTY.
1	1572213	RIGHT HAND - UPPER - "A21"	1
2	1572212	ARRAY - PUSH BUTTON SELECTION	1
3	1572224	SPRING - PUSH BUTTON	2
4	1572223	PLATE - STOP BUTTONS	1
5	1472454	SCREW - #6-20 X.31 PHIL.TRUSS	14
6	1572292	RETAINER - RETURN BUTTON	1
7	1572210	COIN RETURN BUTTON - "A-2"	1
8	2302053	SPACER CUP	4
9	1572323	EXTENSION - COIN INSERT	1
10	1671041	COIN BLOCK	1
	1575067	COIN BLOCK - JAPAN (YEN)	
11	1572209	COIN INSERT - "A-1"	1



167P0012

FIGURE 51: CARD READER AND BILL VALIDATOR COMBINATIONS

TABLE 51: CARD READER AND BILL VALIDATOR COMBINATIONS

INDEX	PART NUMBER	DESCRIPTION	QTY
--	--	MONETARY PANEL WELD ASSEMBLY (REF)	1
1	1575048	PLATE - INSERT BACKING	1
2	--	DOWNSTACK BILL VALIDATOR	OPT
3	--	DEBIT CARD READER	OPT
4	--	UPSTACK BILL VALIDATOR	OPT

TABLE 51A: MONETARY LOCATION OPTIONS

MONETARY CAPABILITY	MONETARY PANEL LOCATION		WITH COIN?
	UPPER	LOWER	
COIN - VAL - CARD	CARD READER	UPSTACK VALIDATOR	YES
COIN - VAL - CARD	DOWNSTACK VALIDATOR	CARD READER	YES
COIN - VALIDATOR	INSERT INSTRUCTIONS BACK-UP PLATE (1575048)	UPSTACK VALIDATOR	YES
COIN - VALIDATOR	DOWNSTACK VALIDATOR	INSERT INSTRUCTIONS BACK-UP PLATE (1575048)	YES
COIN - CARD	INSERT INSTRUCTIONS BACK-UP PLATE (1575048)	CARD READER	YES
COIN - CARD	CARD READER	INSERT INSTRUCTIONS BACK-UP PLATE (1575048)	YES
VALIDATOR - CARD	DOWNSTACK VALIDATOR	CARD READER	NO
VALIDATOR - CARD	CARD READER	DOWNSTACK VALIDATOR	NO
COIN ONLY	INSERT INSTRUCTIONS BACK-UP PLATE (1575048)	INSERT INSTRUCTIONS BACK-UP PLATE (1575048)	YES
VALIDATOR ONLY	INSERT INSTRUCTIONS BACK-UP PLATE (1575048)	UPSTACK VALIDATOR	NO
VALIDATOR ONLY	DOWNSTACK VALIDATOR	INSERT INSTRUCTIONS BACK-UP PLATE (1575048)	NO
CARD ONLY	CARD READER	INSERT INSTRUCTIONS BACK-UP PLATE (1575048)	NO
CARD ONLY	INSERT INSTRUCTIONS BACK-UP PLATE (1575048)	CARD READER	NO

Note:

**ALL ITEMS ARE SECURED WITH FOUR NUTS (P/N 9900081).
SHADED ITEMS REPRESENT ALTERNATE CONFIGURATIONS**

TABLE 51B: CARD READER OPTIONS

PART NUMBER	DESCRIPTION
1475107	DEBITEK # VIS - MM-NAT SYSTEM III
5900246	DEBITEK - KVIS - MDB
1575050	BRACKET - DEBITEK CONTROLLER

TABLE 51C: BILL VALIDATOR OPTIONS

PART NUMBER	DESCRIPTION	HARNESS PART NUMBER
5900198	VALIDATOR - MARS - S2000 - VN2311 - U5E	1679052
5900193	VALIDATOR - MARS - S2000 - VN2511 - U5E -CN5	1579028
5900248	VALIDATOR - MARS AE 2611 - U5E SERIAL	1679053
5900205	VALIDATOR - MARS - VN2512-U5E - 24V	1579032 (HARNESS) 9989718 (JUMPER)
1475053	VALIDATOR - MAKA - NB - 1KB - 400 WITH MASK "K" INSTALLED	--
5900247	VALIDATOR - MARS AE 2612 - U5M - MDB	--
5900210	VALIDATOR - MARS - VN2512 - USM/500 -MDB	--
5900283	VALIDATOR - COINCO - MAGPRO - 32R	--
5900284	VALIDATOR - COINCO - MAGPRO - 30SA	1579034
5900285	VALIDATOR - COINCO - MAGPRO - 32SA	
5900287	VALIDATOR - COINCO - MAGPRO - MAG50SA	
5900290	VALIDATOR - COINCO MAGPRO 52R	
5900303	VALIDATOR - COINCO BP4SX	--
5900131	VALIDATOR - CONLUX NBM-3130 (700 STACKER)	--
5900267	VALIDATOR - CONLUX NBM3140MDB - 400	--
5900242	VALIDATOR - CASH CODE - MDB - CHINA	--

TABLE 51D: COIN MECHANISM OPTIONS

PART NUMBER	DESCRIPTION
6400003	COIN CHANGER - COINCO # 9302LF-24
6400002	COIN CHANGER - MARS #TRC 6010XV
5900213	COIN UNIT - COINCO - 9302 - GX - MDB
5900244	COIN UNIT - COINCO USD - G701 MDB
5900255	COIN UNIT - COINCO USD - G705 MDB
5900269	COIN UNIT - COINCO USQ - G701 - MDB - 4 TUBE KB
5900270	COIN UNIT - COINCO USQ - G702 MDB - 4 TUBE
5900209	COIN UNIT - CONLUX USLZ - 001 MDB
5900279	COIN MECH - CONLUX CCM5G-4
5900116	COIN UNIT - MARS - TRC6000
5900243	COIN UNIT - MARS - TRC6512, 1195500, CNSN
5900112	COIN UNIT - MARS - MC5000
5900214	COIN UNIT - MARS - VN 4510 - MDB
5900276	COIN UNIT - MARS - VN4510 - 5/10/25/25 KB
5900289	COIN UNIT - MARS - VN 4510 - DBL DIME
5900291	COIN UNIT - MARS - VN 4510 - DBL QTR/DBL DLR - MDB
5900216	COIN UNIT - MARS - VN 4000 110V
5900240	COIN UNIT - CASH FLOW - CHINA MDB

TABLE 52A: BAG ASSEMBLIES

PART NUMBER	DESCRIPTION
B4570000	BAG ASSEMBLY: 1
B7640005	BAG ASSEMBLY: 1
B7870001	BAG ASSEMBLY: 1
B1670005	BAG ASSEMBLY: 3-4-5
B4640000	BAG ASSEMBLY: 6-7
B4570001	BAG ASSEMBLY: 6-7
B7870000	BAG ASSEMBLY: 6-7-8-24
B1670007	BAG ASSEMBLY: 6-7-8-9-10-24-31
B1670006	BAG ASSEMBLY: 11-12-13
B7640004	BAG ASSEMBLY: 11-12-13-14-24
B7970005	BAG ASSEMBLY: 14-17
B1570006	BAG ASSEMBLY: 15
B7640006	BAG ASSEMBLY: 15-16-17-18-19
B4650000	BAG ASSEMBLY: 25
B7640001	BAG ASSEMBLY: 25
B4640011	BAG ASSEMBLY: 27
B4640007	BAG ASSEMBLY: 28
B4640003	BAG ASSEMBLY: 29
B4640010	BAG ASSEMBLY: 34
B1680001	BAG ASSEMBLY: 36
B1670008	BAG ASSEMBLY: 37
B4870000	BAG ASSEMBLY: CAN -1
B7870002	BAG ASSEMBLY: CAN - 3-4
B7980001	BAG ASSEMBLY: CAN - 5-6-7-8
B7840002	BAG ASSEMBLY: CAN - 11-12-13-15-24
B7840000	BAG ASSEMBLY: CAN - 14
B4570002	BAG ASSEMBLY: AVS
B1670000	BAG ASSEMBLY: CD-15
B1680003	BAG ASSEMBLY: METABOLIFE
B7640002	BAG ASSEMBLY: SMITH'S

TABLE 52B: BAG ASSEMBLY COMPONENTS

PART NUMBER	DESCRIPTION
NOTE: THIS IS AN INCLUSIVE LIST OF BAG ASSEMBLY COMPONENTS. INDIVIDUAL BAG ASSEMBLIES WILL CONTAIN ONLY A SUBSET OF THE ITEMS LISTED BELOW	
WD167004	WIRING DIAGRAM - 115V SNK. - CHIL/CAN/COF M
WD167005	WIRING DIAGRAM - 230V SNK. - CHIL/CAN/COF M
WD457000	WIRING DIAGRAM - 457/458 - 115V/230V
WD487001	WIRING DIAGRAM - SNACK - 3 TRAY - 230V - EXEC
WD497000	WIRING DIAGRAM - 10 SEL.CAN MOD. - W/G&M
WD157018	WIRING DIAGRAM - SNACK - SNACK/CAN - JAPAN
WD168001	WIRING DIAGRAM - SPECIALTY VENDOR - 115V
1470041	PLASTIC BAG
4770039	BAG - PLASTIC - 10" X 13"
5920012	BAG - PLASTIC - 12" X 15"
2360036	BAG PACKING
1477014	PRICE ROLL - CENTS (KB)
1477015	PRICE ROLL - DOLLARS (KB)
1687001	PRICE ROLL - 1 TO 25 DOLLARS
1687002	PRICE ROLL - 26 TO 50 DOLLARS
1472273	PRICE ROLL - UK - 1L/10L, 35P/95P
1472274	PRICE ROLL - UK - 1L/10L, 8P/35P
1572205	PRICE ROLL - UK - 36P TO 62P + FREE
1572206	PRICE ROLL - UK - 63P TO 90P, KB
1672065	PRICE ROLL - UK - RANGE 1-5 KB
1677199	PRICE ROLL - 000 TO 950 - CHILE
1477123	PRICE ROLL - 0 TO 25 - UK/GER/FR(K)
1577003	PRICE ROLL - 1 TO 9/10 TO 90 (FOR YEN)
1577004	PRICE ROLL - 000 TO 250 (FOR YEN)
1577005	PRICE ROLL - 260 TO 500 (FOR YEN)
1577006	PRICE ROLL - 510 TO 760 (FOR YEN)
1577007	PRICE ROLL - 770 TO 990 (FOR YEN)
1477071	PACKAGE ASSEMBLY - PRODUCT PUSHER
1477083	RETAINER - SPIRAL - WALL
1472105	PRICE TAGS - GUM & MINT
1670057	PRICE TAGS - SN1575107 - G&M - .25 - 1.55
1672059	PRICE TAGS - G&M - 1.20/2.00
1670008	INSTRUCTIONS - SOLD OUT FEATURE
1575086	INSTRUCTION SHEET - COIN CHUTE & BRACKET
1672027	INSERT - INSTRUCTIONS - LOWER - EUROCOIN
1570061	INSTRUCTIONS - 50/60HZ CONVERSION - JAPAN
1670024	SNACK/ REFRESHMENT CENTER PROGRAMING GUIDE
4840053	SET UP GUIDE - CAN/COLD FD/FZN
1670061	AUSTRALIAN G&M SETUP GUIDE

TABLE 52B: BAG ASSEMBLY COMPONENTS

PART NUMBER	DESCRIPTION
4640041	DOCUMENTATION PACKAGE - FLEMISH - SP
1680021	SET UP GUIDE - TRADING CARDS
1680022	PROGRAMMING GUIDE - TRADING CARDS
1577047	LABEL - ITEM LETTERS - A0 - A9
1577048	LABEL - ITEM LETTERS - B0 - B9
1577049	LABEL - ITEM LETTERS - C0 - C9
1577050	LABEL - ITEM LETTERS - D0 - D9
1577051	LABEL - ITEM LETTERS - E0 - E9
1577052	LABEL - ITEM LETTERS - F0 - F9
1577053	LABEL - ITEM LETTERS - G0 - G9
1577061	LABEL - ITEM LETTERS - A0 - A9 - U.K
1577062	LABEL - ITEM LETTERS - B0 - B9 - U.K
1577063	LABEL - ITEM LETTERS - C0 - C9 - U.K
1577064	LABEL - ITEM LETTERS - D0 - D9 - U.K
1577065	LABEL - ITEM LETTERS - E0 - E9 - U.K
1577066	LABEL - ITEM LETTERS - F0 - F9 - U.K
1577067	LABEL - ITEM LETTERS - G0 - G9 - U.K
1577054	LABEL - ITEM LETTERS - A0 - A9 - GER
1577055	LABEL - ITEM LETTERS - B0 - B9 - GER
1577056	LABEL - ITEM LETTERS - C0 - C9 - GER
1577057	LABEL - ITEM LETTERS - D0 - D9 - GER
1577058	LABEL - ITEM LETTERS - E0 - E9 - GER
1577059	LABEL - ITEM LETTERS - F0 - F9 - GER
1577060	LABEL - ITEM LETTERS - G0 - G9 - GER
6230091	LABEL - PRICE - SPANISH - RANGE 25 - 125 PESETAS
4761147	LABEL - FREQ - OPER - 50HZ
4761146	LABEL - FREQ - OPER - 60HZ
1679057	LIST - HARNESSSES
1679059	LIST - HARNESSSES
4747097	PROD.ID LBL/FLAVR STRIP INST
4747091	FLAVOR STRIPS - 10
9989822	CLIP - TRAY HARNESS
1575067	COIN BLOCK - JAPAN (FOR YEN)
1575083	COIN CHUTE & BRACKET ASSEMBLY
4650003	CONVERSION PROCEDURE - 50/60 H
4612001	DECAL - "CHILLED FOR FRESHNESS"
1677038	WINDOW - FLAT
1677039	WINDOW - OFFSET

TABLE 53: WIRE HARNESSSES

CONNECTOR	DESCRIPTION	PART NUMBER
J23A	HARNESS JAPAN	1579048
J23B	HARNESS JAPAN	1579048
J27	HARNESS EXEC	1679050
J30	CABLE RIBBON	1579008
J31	HARNESS TEMP	4849020
J33	HARNESS DISPLAY TO CNTRL	1599200
J34	HARNESS SUREVEND	1679012
J35	HARNESS POWER	4859002
J36	HARNESS IR DATA / DEX	1679056 / 1689054
J37	24VAC	9989750
J38	24VDC	9989750
J39	HARNESS MDB	9989706
J40	HARNESS DUMB MECH	1671011
J41	SERIAL VAL	1679053
J42	HARNESS - MARS PULSE	1679052
J45	HARNESS DISPLY TO CNTRL	1599200
J46	CUSTOMER KEY PAD	7215019
J47	FREE VEND KEYSWITCH	9989639
J48	JUMPER DOOR SWITCH	1579009
J49	SERVICE KEYPAD	1575046
J50	HARNESS IR DATA	1689094
J55	CABLE RIBBON	1579008
J56	HARNESS TEMP & COMP	4849020
J57	JUMPER - CAN/ G&M	4974023
J58	JUMPER - CAN/ G&M	4974023
J59	HARNESS CHANNEL 6 TRAY	1599009
J60	HARNESS CHANNEL 6 TRAY	1599009
J61	HARNESS PCB & COIN	9989750

TABLE 53: WIRE HARNESES (CONTINUED)

CONNECTOR	DESCRIPTION	PART NUMBER
J63	NOT USED	----
J65	HARNESS POWER	4859002
J67	HARNESS POWER	4859002
J69	HARNESS COFFEE	4859000
J70	HARNESS COFFEE	4859000
J71	HARNESS COFFEE	4859000
J72	JUMPER MOD TO BREWER	4859005
J75	HARNESS TEMP & CHILLER	4849020
J76	HARNESS PWR TO COFFEE	4751082
J81	HARNESS 24V PCB	9989750
J82	JUMPER POWER TO EX. FAN	1579021
J83	JUMPER POWER TO DOOR LT	1579022
J87	HARNESS 120 COIN ADAPTER	1679002
J90	JUMPER INTERLOCK	1579010
J91	JUMPER INTERLOCK	1579010
J93A	HARNESS - PCB & COIN	9989750
J94	HARNESS POWER PANEL	1709001
J97	JUMPER GFI & FILTER	1579051
J100	JUMPER DOOR SWITCH	1579009 / RC3 4751082
J102	HARNESS - SERIAL VAL	1679053
J105	HARNESS - MARS PULSE	1679052
J121	JUMPER GUM & MINT	1579024
J124	JUMPER - CAN/ G&M	4974023
J125	HARNESS CAN EJECTOR 5 CAN	4977050
J125	HARNESS CAN EJECTOR 4 CAN	4849028
J125E	JUMPER - CAN/ G&M	4974023
J125F	JUMPER - CAN/ G&M	4974023
J125H	JUMPER - CAN/ G&M	4974023

TABLE 53: WIRE HARNESES (CONTINUED)

CONNECTOR	DESCRIPTION	PART NUMBER
J126	JUMPER TEMP CAN	4849020 / RC 4979005
J127	JUMPER PWR TO COMP	4849002
J128	JUMPER 120V	1579052 / CAN 4849025
J133	HARNESS LIGHT & FILTER	1679006
J135	HARNESS SIDE PANEL	4849015
J151	HARNESS - EXEC LONG	1679050
J153	HARNESS EVAP FAN	4982002
J170	HARNESS COFFEE	4859000
J171	HARNESS COFFEE	4859000
J173	HARNESS COFFEE	4859000
J174	HARNESS COFFEE	4859000
J175	HARNESS COFFEE	4859000
J176	HARNESS COFFEE	4859000
J177	HARNESS COFFEE	4859000
J178	HARNESS COFFEE	4859005
J181	HARNESS COFFEE	4859000
J183	HARNESS COFFEE	4859000
J184A	HARNESS COFFEE	4859000
J184B	HARNESS COFFEE	4859000
J186	HARNESS COFFEE	4859000
J187	HARNESS COFFEE	4859000
J188	HARNESS COFFEE	4859000
J189	HARNESS COFFEE	4859000
J190	HARNESS COFFEE	4859000
J195	HARNESS PWR TO COFFEE	4859005
J196	HARNESS COFFEE MOD	4859005
J199	HARNESS COFFEE	4859000
J201A	JUMPER BOOST TRANSFORMER	1579052

TABLE 53: WIRE HARNESSSES (CONTINUED)

CONNECTOR	DESCRIPTION	PART NUMBER
J201B	JUMPER BOOST TRANSFORMER	1579052
J228A	JUMPER JAPAN	1579048
J228B	JUMPER JAPAN	1579048
J231	HARNESS SUREVEND EMIT TO DET	1679013
J232	HARNESS SUREVEND EMIT TO DET	1679013

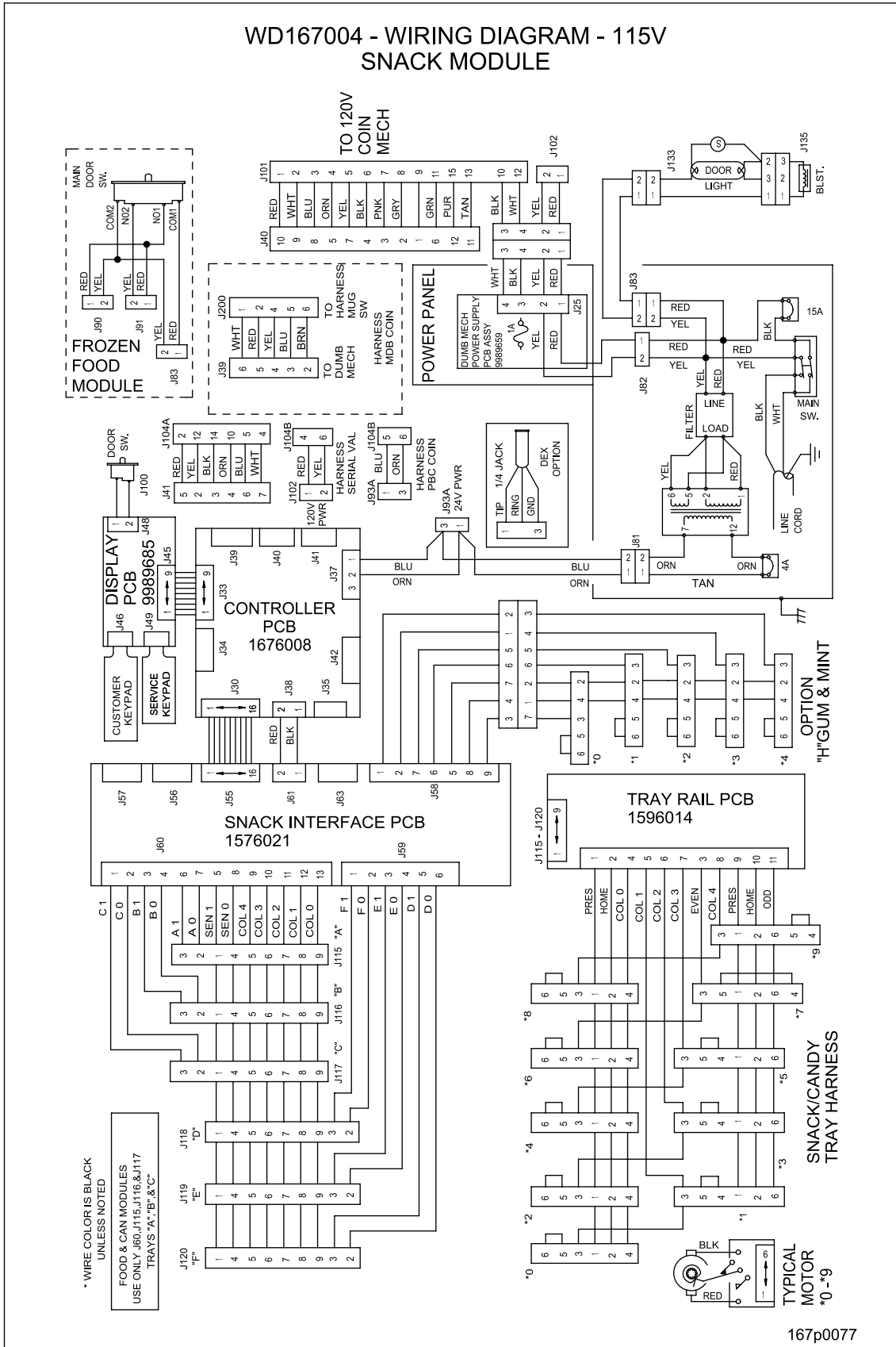


FIGURE 52: WIRING DIAGRAM - 115V SNACK MODULE

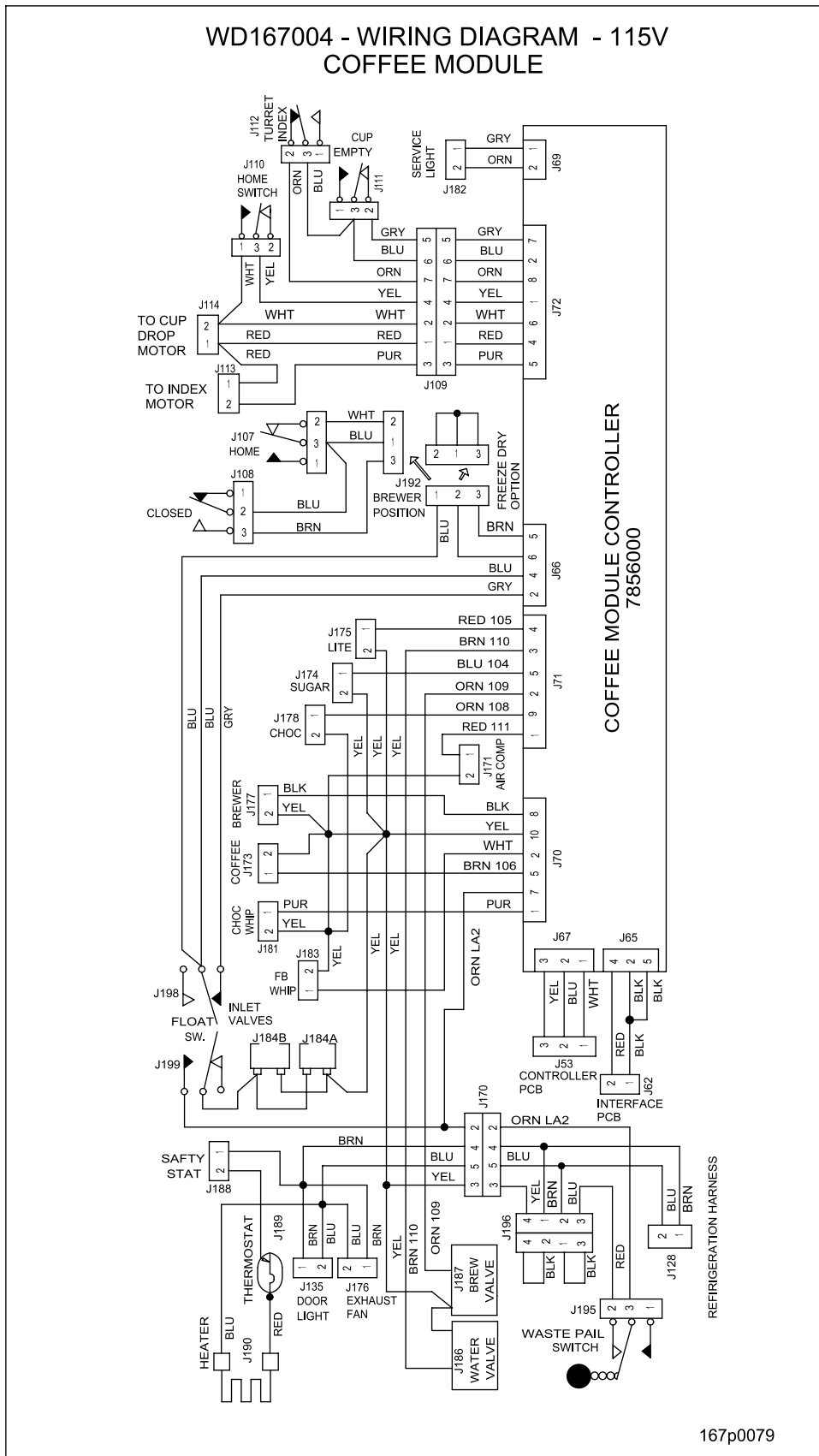
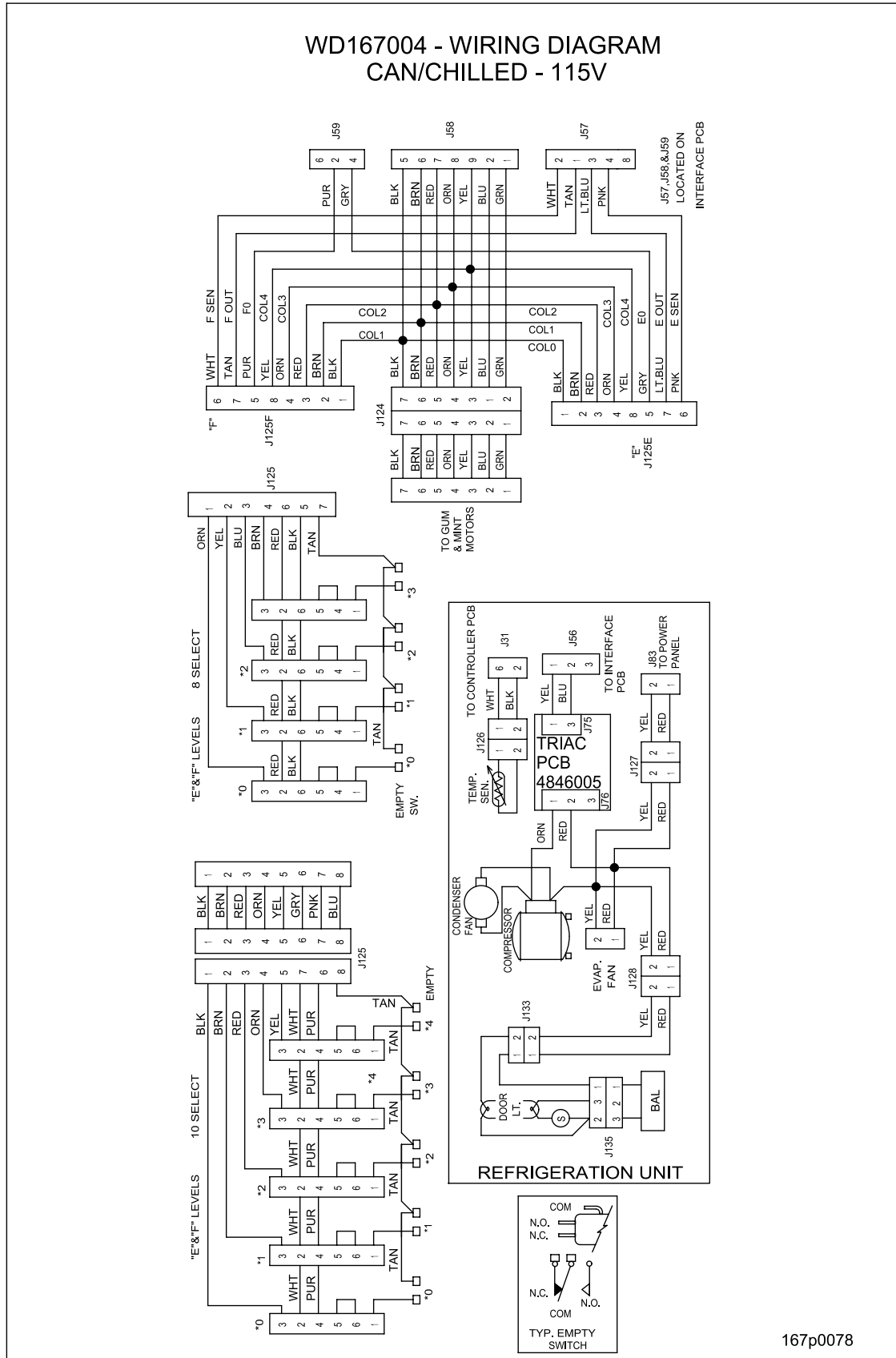


FIGURE 53: WIRING DIAGRAM - 115V COFFEE MODULE



167p0078

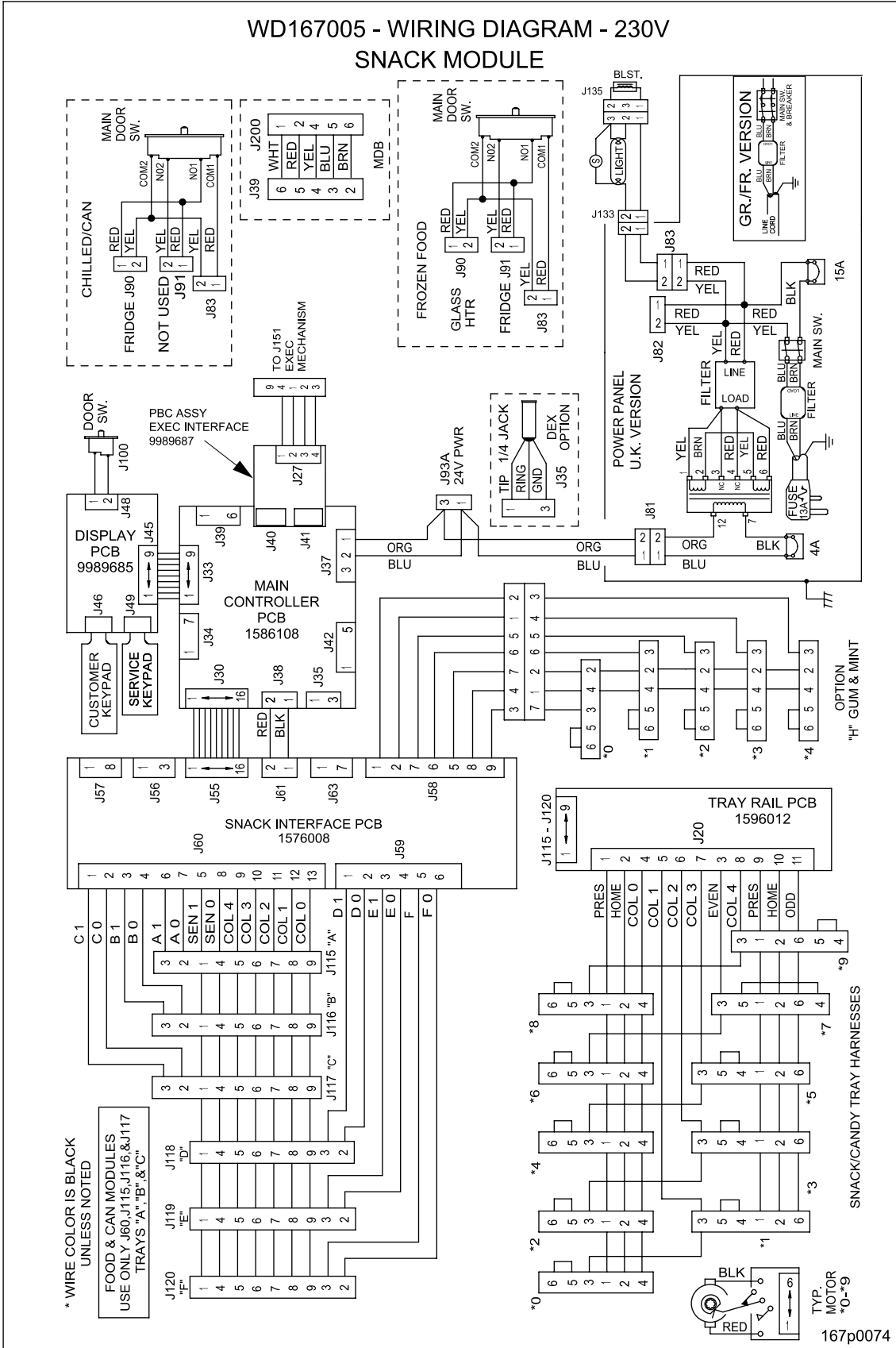


FIGURE 55: WIRING DIAGRAM - 230V SNACK MODULE

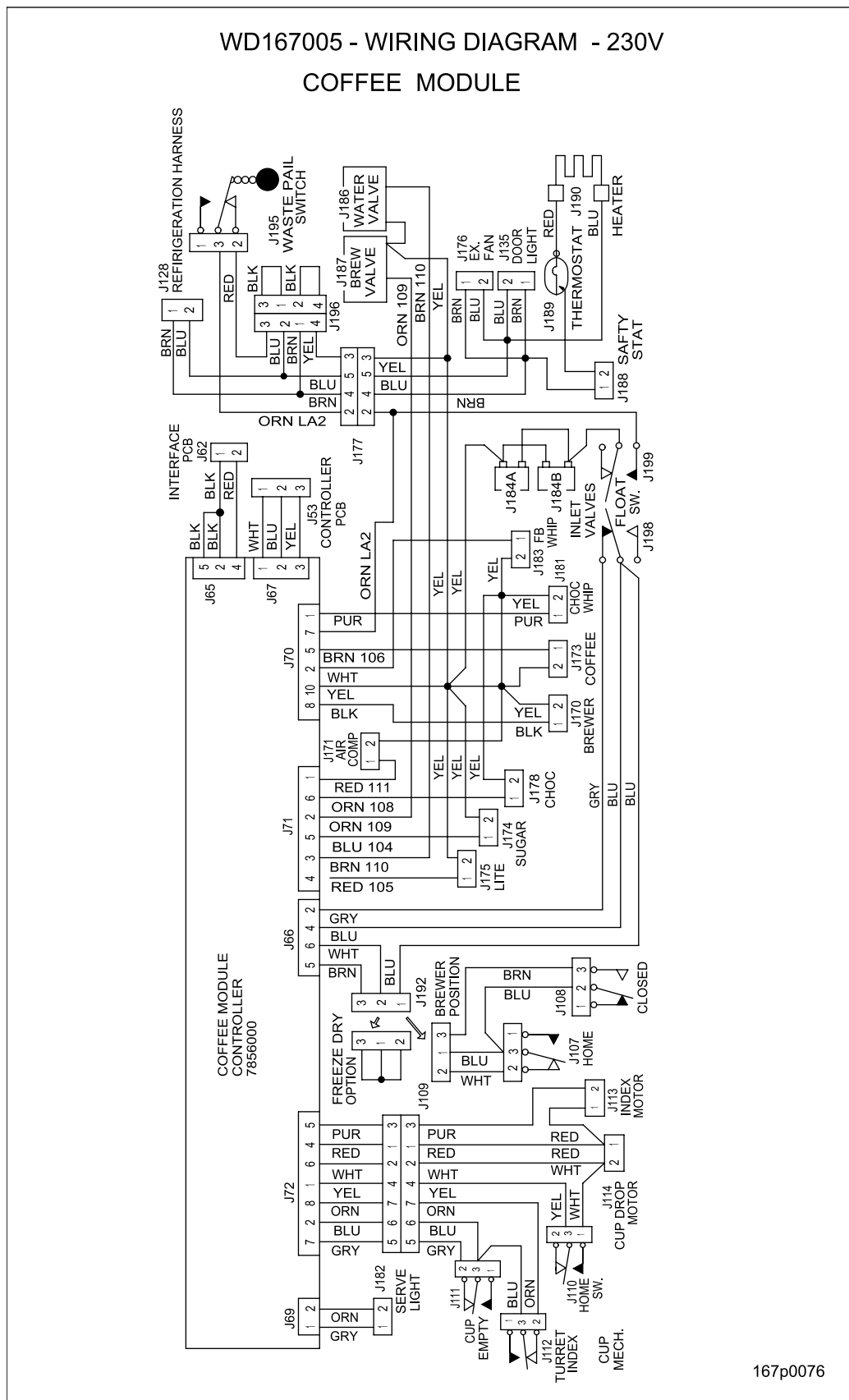
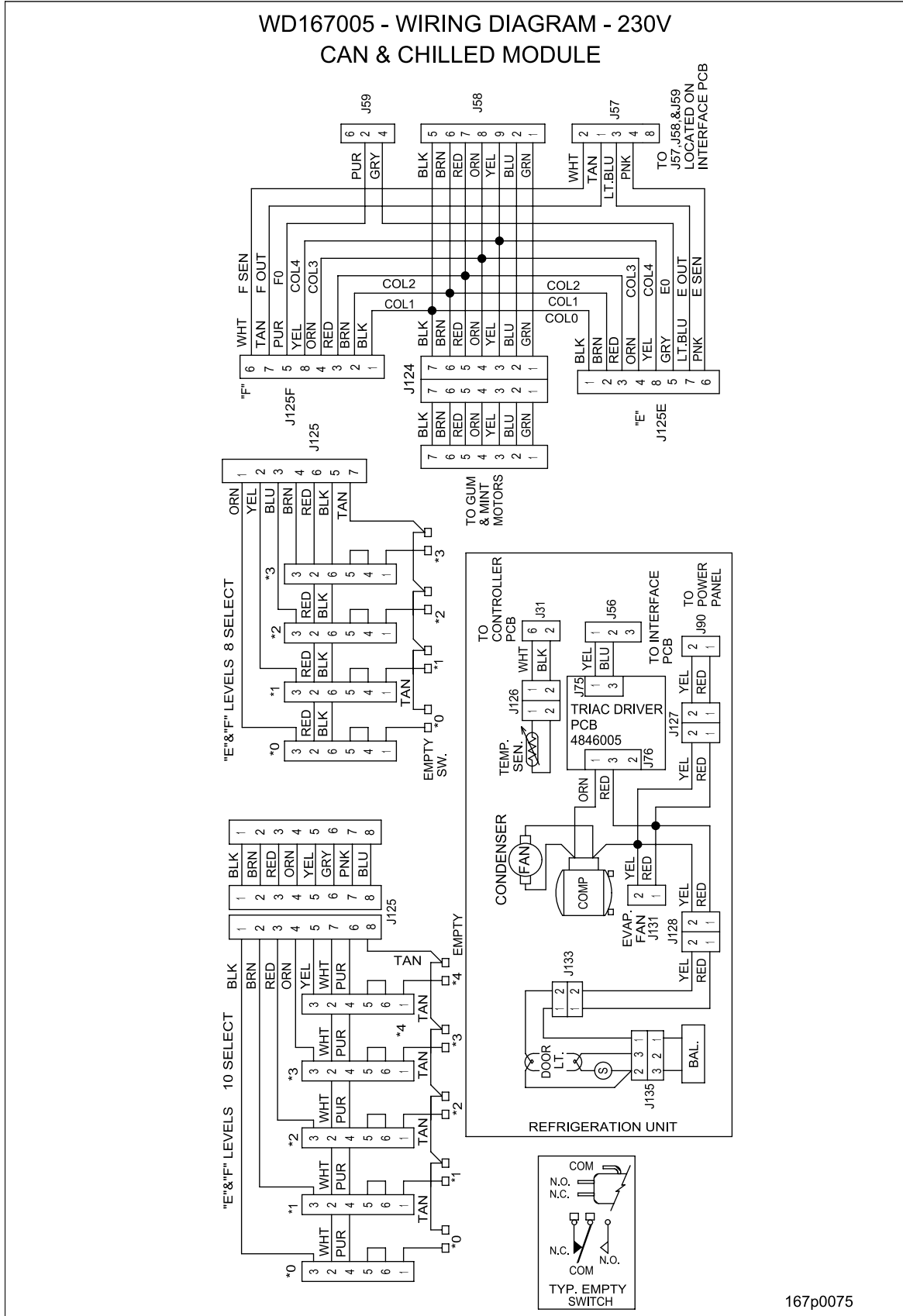


FIGURE 56: WIRING DIAGRAM - 230V COFFEE MODULE



167p0075

Part Number	Page	Part Number	Page	Part Number	Page
1122138	25	1472273	88, 113	1479063	37
1127808	103	1472274	88, 113	1479064	35
1172021	53	1472454	107	1479075	35
1172115	25	1475026	103	1479076	35
1172190	11	1475053	110	1479077	35
1172191	11	1475072	103	1479078	35
1211112	53	1475089	105	1479079	35
1302289	11	1475099	103	1479080	35
1302290	11	1475107	110	1479081	33
1302291	11	1477014	88, 113	1479082	33
1302324	11	1477015	88, 113	1479083	33
1302326	11	1477017	69, 75, 79, 81, 85	1479084	33
1302409	3	1477020	67, 71	1479089	35
1302478	3	1477022	67, 71	1479092	35
1302479	3	1477023	89	1479095	35
1302484	3	1477024	89	1479097	35
1401110	101, 103	1477026	89	1479098	35
1402120	9	1477027	89	1479099	35
1411194	55	1477029	89	1479101	33
1411195	55	1477030	89	1479103	33
1412046	37	1477032	89	1479104	33
1412058	29	1477033	89	1479105	33
1451097	3, 9, 49	1477035	89	1479106	35
1452059	9	1477036	89	1479117	35
1452062	4	1477038	89	1479119	33
1452116	4	1477039	89	1479120	35
1452117	4	1477041	89	1479125	33
1452139	37, 39	1477042	89	1479136	35
1452183	4	1477044	89	1479139	35
1452203	3	1477045	89	1479140	9, 21
1452225	4	1477071	113	1479145	37
1452229	3	1477074	67, 69, 79, 81	1480811	69
1457061	89	1477083	113	1480812	75
1457062	89	1477097	67, 69, 73, 75, 79, 81, 85	1480818	79
1457063	89	1477098	89	1480820	79
1457064	89	1477099	89	1482003	3
1467129	79, 81	1477100	89	1482106	4
1467130	79, 81	1477101	89	1482111	3
1470041	113	1477106	89	1482112	3
1470811	69	1477107	89	1482114	4
1470812	75	1477107	89	1482116	4
1470854	81	1477113	71, 73, 77, 83, 87	1482123	4
1470855	81	1477114	83	1482147	4
1470995	81	1477123	88, 113	1482178	4
1471054	51	1477134	67, 69, 73, 75, 81, 85	1482210	6
1471065	45	1477148	67, 69, 73, 75, 79, 81, 85	1482214	6
1471090	45, 51, 57	1477149	89	1482222	6
1471098	53	1477150	89	1482223	6
1471237	49, 53	1477152	89	1482225	6
1471398	51	1477153	89	1482226	6
1472048	9, 19, 21	1477155	89	1482227	6
1472105	113	1477156	83	1482229	4
1472178	9, 21	1477157	67, 69, 73, 75, 81, 85	1482231	4
1472190	3	1477175	69, 75, 79, 81, 85	1482232	6
1472223	101	1479052	33	1482245	4
1472250	9, 21	1479062	37	1482247	6
1472251	105			1482248	4

<u>Part Number.....</u>	<u>Page</u>	<u>Part Number.....</u>	<u>Page</u>	<u>Part Number.....</u>	<u>Page</u>
1482250	6	1572101	5	1572223	107
1487009	67, 69, 73, 75, 79	1572102	6	1572224	107
1487016	67, 69, 73, 75, 79	1572104	6	1572228	15, 17, 19, 21
1489008	35	1572105	7	1572229	29, 31
1570061	113	1572106	5	1572230	31
1570932	75	1572107	6	1572235	17
1571022	45, 49	1572108	7	1572236	15
1571029	45, 49	1572109	5	1572238	17
1571037	9, 21	1572110	6	1572243	19
1571074	45, 49	1572117	7	1572244	25
1571079	103	1572118	5	1572247	17
1571081	103	1572119	6	1572248	17
1571090	49	1572120	5	1572249	17
1571098	21	1572121	5	1572258	13
1571102	49	1572122	7	1572259	13
1571113	103	1572123	5	1572260	13
1571115	53	1572124	6	1572267	13
1571120	51	1572125	7	1572269	17, 31
1571123	49	1572126	5	1572289	29
1571161	55	1572127	6	1572292	107
1571175	51, 57	1572128	4	1572315	29, 31
1571179	45, 49	1572129	7	1572317	31
1571181	51	1572130	5	1572323	107
1571186	51	1572131	6	1572324	13
1571187	49	1572138	7	1572325	15
1571189	51	1572139	5	1572327	15
1571190	49	1572140	7	1572351	37
1571200	49	1572141	5	1572353	31
1571201	49	1572148	7	1572354	29
1571203	65	1572149	5	1572374	9
1571204	65	1572150	6	1572375	21
1571227	51	1572151	7	1572376	17, 21
1571230	49	1572152	5	1572395	23
1571231	51	1572153	6	1572396	23
1571232	49	1572154	7	1572397	23
1571235	51	1572155	5	1572398	23
1571236	51	1572156	7	1572410	31
1571239	49	1572157	5	1572417	31
1571250	49	1572161	6	1572420	31
1572007	9, 21	1572171	5	1572421	31
1572009	9, 21	1572172	7	1572423	31
1572010	27	1572194	7	1572424	29, 31
1572011	3, 27	1572195	5	1572425	31
1572013	101	1572196	21	1572426	29
1572016	25	1572199	23	1572431	15
1572020	9, 19, 21	1572203	23	1572432	15
1572027	9, 21	1572204	23	1572433	21
1572028	9, 21	1572205	88, 113	1572445	9, 17
1572029	31	1572206	88, 113	1572447	29
1572044	25	1572209	107	1572448	29
1572045	25	1572210	107	1572449	29
1572046	25	1572212	107	1572450	29
1572047	25	1572213	13, 107	1572451	17
1572053	29	1572214	13	1572452	31
1572054	5	1572218	15	1572457	29
1572058	3	1572219	15, 17	1575001	105
1572100	7	1572220	15	1575003	103

Part Number	Page	Part Number	Page	Part Number	Page
1575010	105	1579051	65	1597003	81
1575029	103	1579053	35	1597008	75
1575033	101	1580931	75	1597009	69
1575034	101	1581023	55	1602016	3
1575035	101	1581024	49	1602030	3
1575040	101	1581028	91	1602055	9
1575041	101	1581039	49	1602075	9
1575043	105	1581050	55	1607001	69
1575044	101	1581056	51	1607002	75
1575048	101, 109	1581057	49	1607003	79
1575049	101	1581059	51	1670008	113
1575050	110	1581060	49	1670024	113
1575057	103	1581068	49	1670057	113
1575067	107, 114	1581069	49	1670061	113
1575076	101	1581079	51	1670728	75
1575083	114	1581080	49	1670874	75
1575086	113	1581081	49	1670935	51
1575091	105	1582006	4	1671041	107
1575094	101, 103	1582008	6	1671043	49
1575095	101, 103	1582074	9	1671045	49
1575098	101, 105	1582075	9	1671054	51
1575099	101, 105	1582079	15, 17, 19, 21	1671055	51
1575106	3	1582080	29	1671056	51
1577000	33	1582085	25	1672001	101
1577003	88, 113	1582086	15	1672002	4
1577004	88, 113	1582090	3	1672003	7
1577005	88, 113	1582093	15, 17	1672004	5
1577006	88, 113	1582094	17	1672005	6
1577007	88, 113	1582095	17	1672018	15
1577036	85	1582096	17	1672020	21
1577038	37, 67, 71, 73, 77, 83, 87	1582097	17	1672021	15
1577040	69, 75, 81, 85	1582102	17	1672023	4
1577047	114	1582115	15	1672024	7
1577048	114	1582116	15	1672025	5
1577049	114	1582126	29	1672026	6
1577050	114	1582127	29	1672027	101, 113
1577051	114	1582136	33	1672028	29
1577052	114	1582137	37	1672029	39
1577053	114	1582139	9	1672032	39
1577054	114	1582140	21	1672036	29
1577055	114	1582141	17, 21	1672037	29
1577056	114	1582200	15	1672038	31, 39
1577057	114	1582201	15, 17	1672039	31, 39
1577058	114	1582202	15	1672043	39
1577059	114	1582216	17, 21	1672044	39
1577060	114	1582229	9, 17	1672050	39
1577061	114	1582231	29	1672051	39
1577062	114	1582232	29	1672052	43
1577063	114	1582233	29	1672054	43
1577064	114	1582234	17	1672055	43
1577065	114	1582237	29	1672056	43
1577066	114	1587003	69, 75, 79	1672059	113
1577067	114	1587005	79	1672065	88, 113
1579028	110	1592032	3	1672066	9
1579032	110	1596014	45, 51, 57	1672075	29
1579034	110	1597001	69	1672078	5
		1597002	75	1672079	25

Part Number..... Page	Part Number..... Page	Part Number..... Page
1672080 27	1701025 59, 61	2272052 11
1672082 27	1702022 25	2302053 27, 107
1672084 29, 31	1702023 25	2302218 25
1676000 39	1702024 25	2360036 113
1676011 39	1702025 25	3107171 25
1677004 79, 81	1707001 67, 73	3112163 11
1677005 79, 81	1707004 89	3112164 11
1677038 114	1707005 89	3122056 35, 103
1677039 114	1707006 89	3151058 25
1677171 35	1707007 89	3152447 4
1677193 69, 75, 79, 81	1707008 89	4042121 41
1677199 113	1707009 89	4242145 9, 21
1679005 25	1707010 89	4245082 27
1679010 71	1707011 89	4245083 27
1679011 77, 83, 87	1707012 89	4245084 27
1679012 41	1707013 89	4245186 29
1679013 41	1707014 89	4246307 35
1679052 110	1707015 89	4279001 63
1679053 110	1707016 89	4302284 4
1679055 59, 61, 63, 65	1707017 89	4302373 4
1679057 114	1707018 89	4311068 53
1679059 114	1707019 89	4407817 89
1679061 35	1707020 89	4407843 75
1680021 114	1707021 89	4521016 47
1680022 114	1707022 89	4521020 61
1680705 51	1707023 89	4521021 49
1680713 69	1707030 67, 73	4521036 63
1680714 75	1707040 89	4521041 63
1680846 69	1707041 89	4527000 67
1680847 75	1707042 89	4527001 73
1680928 75	1707043 89	4531003 47
1681076 51	1707044 89	4537000 67
1681077 51	1707045 89	4537001 73
1681078 51	1707046 89	4552058 13
1682001 4	1707047 89	4552059 13
1682002 6	1707057 89	4552060 13
1682033 15	1707058 89	4570853 67
1682040 4	1707059 89	4570854 73
1682041 6	1707060 89	4570855 67
1682047 29	1707062 67, 73	4570856 73
1682048 29	1707063 67, 73	4580853 67
1682049 29	1709001 59, 61, 63, 65	4580854 73
1682054 43	1709006 59, 61, 65	4580855 67
1682056 9	1709011 67	4580856 73
1682059 21	1709012 67	4610831 81
1682060 29	1709013 73	4611007 47
1682064 29	1709014 73	4612001 114
1687001 88, 113	1709018 57	4621003 47
1687002 88, 113	1709019 25	4640041 114
1687005 69	1712002 9	4641025 47
1687006 75	1717001 67, 73	4641031 47
1689004 71	2204093 103	4641032 47
1689005 77, 83	2222031 .. 67, 69, 73, 75, 79, 81, 85	4641033 47
1701005 57	2222095 25	4641043 47
1701006 57	2222110 3	4641054 47
1701009 57	2271408 55	4641055 47
1701015 59		4641056 47

Part Number	Page	Part Number	Page	Part Number	Page
4641058	47	4872005	19	6231034	53
4641059	47	4872007	13	6231037	103
4641068	47	4872008	13	6231087	55
4641081	47	4872012	15	6231163	49, 53
4644034	47	4872013	13	6231203	53
4650003	114	4872015	21	6231242	45, 49
4650864	79	4872016	21	6232028	9
4651011	47	4872018	13	6232031	9, 21
4651012	47	4872019	13	6232099	3
4671009	91	4872020	21	6232224	4
4681020	91	4875001	101, 103	6232309	4
4727144	97	4877000	91, 97	6312016	15
4732024	37, 39, 41	4911004	47	6331073	51
4741022	97, 99	4911005	47	6331074	51
4742004	4	4972107	9, 19	6335002	101, 103
4742005	6	4981001	47	6335005	103
4744023	91	5201267	75	6342038	3
4744024	91	5262216	39	6400002	111
4744027	91	5560113	67, 69, 73, 75, 79, 81, 85	6400003	111
4744028	91	5900112	111	6849015	61, 63
4744042	91	5900116	111	7211273	29
4747003	93, 95	5900131	110	7212191	27
4747009	93, 95	5900193	110	7215019	105
4747014	93, 95	5900198	110	7640851	75
4747042	97, 99	5900205	110	7640852	69
4747044	97, 99	5900209	111	7644017	91
4747064	93, 95	5900210	110	7644018	91
4747065	93	5900213	111	7649000	91
4747089	97, 99	5900214	111	7844006	91
4747091	114	5900216	111	7844009	91
4747097	114	5900240	111	7847003	93, 95
4747098	93, 95	5900242	110	7847004	93, 95
4747099	93, 95	5900243	111	7847013	97, 99
4747111	93	5900244	111	7847016	99
4747126	93, 95	5900246	110	7864000	91
4747127	93, 95	5900247	110	9900030	37, 67, 69, 73, 75, 79, 81, 85
4747129	93	5900248	110	9900067	103
4747133	93, 95	5900255	111	9900081	3, 31, 59, 61, 65
4747134	93	5900267	110	9900098	55
4747135	93, 95	5900269	111	9900121	11
4760817	79	5900270	111	9900160	27
4761146	114	5900276	111	9900170	11
4761147	114	5900279	111	9900184	31
4770039	113	5900283	110	9900206	33
4770714	79	5900284	110	9900218	53
4840053	113	5900285	110	9900425	35
4847001	91, 97	5900287	110	9900437	31
4847002	97	5900289	111	9984094	59, 61, 63, 65
4847029	91, 99	5900290	110	9984246	45
4847031	95	5900291	111	9984627	63
4847032	95	5900303	110	9984629	59, 61
4847033	95	5920012	113	9989046	59, 61, 63, 65
4847034	95	6104218	23	9989100	59, 61, 63, 65
4847035	99	6131143	37	9989110	49, 61, 63, 65
4871009	49	6152188	25	9989529	65
4871010	51	6230091	114	9989560	45
4871011	49				

<u>Part Number.....</u>	<u>Page</u>	<u>Part Number.....</u>	<u>Page</u>	<u>Part Number.....</u>	<u>Page</u>
9989576	45	B1670007	112	B7840000	112
9989577	45	B1670008	112	B7840002	112
9989672	59, 61, 65	B1680001	112	B7870000	112
9989674	59, 61, 63, 65	B1680003	112	B7870001	112
9989685	103	B4570000	112	B7870002	112
9989697	45	B4570001	112	B7970005	112
9989718	110	B4570002	112	B7980001	112
9989732	45	B4640000	112		
9989821 ...	67, 71, 73, 77, 83, 87	B4640003	112	G	
9989822	114	B4640007	112	G1472027	3
9989823	103	B4640010	112	W	
9989841	45	B4640011	112	WD157018	113
9992400	11	B4650000	112	WD167004	113
9995066	11	B4870000	112	WD167005	113
B		B7640001	112	WD168001	113
B1570006	112	B7640002	112	WD457000	113
B1670000	112	B7640004	112	WD487001	113
B1670005	112	B7640005	112	WD497000	113
B1670006	112	B7640006	112		

Terms and Conditions of Sale

LIMITED WARRANTY: Subject to the limitation specified herein, all parts included on original equipment manufactured by CRANE MERCHANDISING SYSTEMS and sold to purchaser are warranted for two (2) years from the date of shipment of the equipment in question. This warranty applies only to the original purchaser of the Merchandiser and is null and void if the Merchandiser is sold during the period of warranty.

Defective parts will be repaired or replaced free of charge when the defective part is returned, with transportation charges prepaid by purchaser, to a destination designated by CRANE MERCHANDISING SYSTEMS.

This warranty does not include any cost of service rendered or repairs made by customer or its agents on Merchandiser, or parts, unless authorization to incur such expense has been given in writing by CRANE MERCHANDISING SYSTEMS prior to incurring such expense. This warranty does not cover labor and service charges performed by CRANE MERCHANDISING SYSTEMS service technicians.

This warranty does not apply to A) electrical components, wiring, or circuits or mechanical parts or assemblies damaged as a result of operating the Merchandiser at other than the design voltage and frequency specified on the Electrical Rating Tag, or B) in event of vandalism, fire or negligence, or C) incandescent lamps, neon lamps, fluorescent lamps, ballasts, starters or other expendable items, or D) when seal is broken on electronic boards, or E) when other manufactured components are installed in CRANE MERCHANDISING SYSTEMS Merchandisers.

Replacement parts sold by CRANE MERCHANDISING SYSTEMS as After Market shall be covered for three months from the date shown on the parts invoice. Purchaser must obtain prior RETURN AUTHORIZATION for return of all parts, following guidelines given by CRANE MERCHANDISING SYSTEMS.

New, unused parts purchased as After Market can be returned within 30 days from date of parts invoice, with prior authorization from CRANE MERCHANDISING SYSTEMS.

THIS WARRANTY IS IN LIEU OF ALL OTHER WARRANTIES EXPRESS OR IMPLIED, INCLUDING WITHOUT LIMITATION, WARRANTIES OF MERCHANTABILITY OF FITNESS FOR A PARTICULAR PURPOSE. CRANE MERCHANDISING SYSTEMS SHALL NOT BE RESPONSIBLE FOR CONSEQUENTIAL OR PUNITIVE DAMAGES. CRANE MERCHANDISING SYSTEMS neither assumes nor authorizes any person to assume for it any obligation or liability in connection with the sale of said equipment or any part thereof.

